

## 15 Watt - Dimmable Driver

Project: \_\_\_\_\_ Date: \_\_\_\_\_  
 Catalog #: \_\_\_\_\_  
 Notes: \_\_\_\_\_

### Key Features & Benefits:

- Universal AC Input / Full Range (up to 305 VAC)
- Built-in Active PFC Function
- Protections: Short Circuit / Over Voltage / Over Temperature
- Suitable for Dry / Damp Locations
- Easy Installation with ESL Vision Quick Connect Series
- 120 VAC Triac Compatible
- 7 Year Warranty



### Technical Specifications:

#### Input

Input Voltage: 120 VAC  
 Power Factor: 0.98 / 120 VAC, 0.90 / 277 VAC  
 Total Harmonic Distortion: 20%  
 Frequency Range: 47~63Hz  
 Efficiency: 88%  
 AC Current: .125 A / 125 VAC, .054 A / 277 VAC

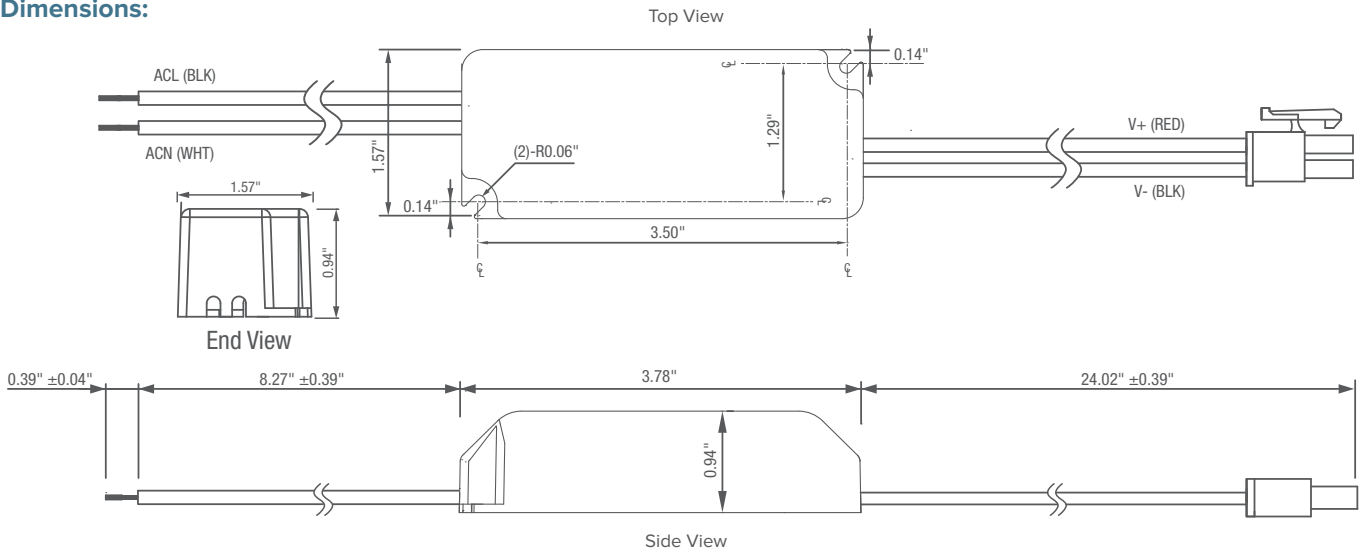
#### Output

DC Voltage: 36 VDC  
 Rated Current: 350 mA  
 Rated Power: 15W  
 Voltage Range: 28 - 42 VDC  
 Line Regulation: 3%  
 Load Regulation: 2%

#### Environment

Working Temperature: -20 ~ 50°C  
 Max Case Temperature: 65°C  
 Working Humidity: 20 -70% RH

### Driver Dimensions:



Example Part Number: **ESL-DQC1-15W-1L-TD**

<b>ESL</b>	-	<b>DQC1</b>	-	<b>15W</b>	-	<b>1L</b>	-	<b>TD</b>
ESL		DRIVER		WATTS		DC OUTPUT		DIMMING
		DQC1		10W 15W 18W 22W		1L		TD (Triac Dimming)