

Key Features & Benefits:

- Multiple Mounting Options Designed to Retrofit
 - Street Lights
 - High Bays / Low Bays
 - Garage Lights
 - Shoe Box Fixtures
 - Wall Packs
- Utilize Existing Fixture
- 10 Year Warranty
- Optimized Pin Array Heatsink
- Overheat Shutdown
- L70 Lifetime >100,000 Hours
- Intelligent Thermal Control
- Compatible with Networked Lighting Control Qualified Systems



Project: _____

Date: _____

Catalog #: _____

Notes: _____



Technical Specifications:

Light Specifications

- Lumen Output: Up to 13,901 Lumens
- Efficacy (lm/W): Up to 132 Lumens per Watt
- Kelvin: 3000K, 4000K, 5000K
- CRI: >75
- Rated Life (hrs): 100,000 Hours
- IES Classification: Fixture Dependant
- Dimensions (LxWxH): 6.8" x 4.9" x 2.6"
- Weight Without Driver (lbs): 1.05

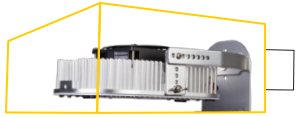
Driver Specifications

- Power: 105 Watts
- Input Voltage: 120-277 VAC | HV - 347-480 VAC
- Input Current @120V: 0.875A
- Input Current @277V: 0.38A
- Input Current @480V: 0.22A
- Operating Temperature: -40°F to 176°F (-40°C to 80°C)

*Assembled in the USA option available upon request
 Not All Part Numbers DLC Qualified. For a Complete Listing Please Consult the DLC Qualified Products List (QPL).

Retrofit Kits for Outdoor Pole/Arm-Mounted Area and Roadway Luminaires

Integrated-style kits that replace all reflectors and optical systems of existing luminaires. Not screw-in "lamps" intended as HID replacements.

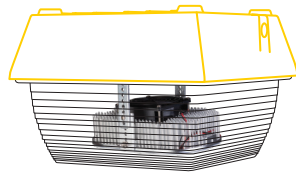


| ITEM# | WATTS | LUMEN OUTPUT | EFFICACY (lm/W) | KELVIN | DLC QPL CODE (PREMIUM) |
|---------------------|-------|--------------|-----------------|--------|------------------------|
| ESL-MUR-105W-330 | 105W | 13,164 | 126 | 3000K | PXNMF2MF |
| ESL-MUR-105W-340 | 105W | 13,533 | 129 | 4000K | PF6B3MHT |
| ESL-MUR-105W-350 | 105W | 13,901 | 132 | 5000K | PEP5JSKS |
| ESL-MUR-105W-330-HV | 105W | 12,831 | 122 | 3000K | PCFPMY6F |
| ESL-MUR-105W-340-HV | 105W | 13,128 | 125 | 4000K | P6ZB9HQS |
| ESL-MUR-105W-350-HV | 105W | 13,434 | 128 | 5000K | PRSRK2AW |



Retrofit Kits for Fuel Pump Canopy Luminaires

Integrated-style kits that replace all reflectors and optical systems of existing luminaires. Not screw-in "lamps" intended as HID replacements.

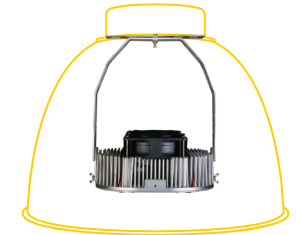


| ITEM# | WATTS | LUMEN OUTPUT | EFFICACY (lm/W) | KELVIN | DLC QPL CODE (STANDARD) |
|---------------------|-------|--------------|-----------------|--------|-------------------------|
| ESL-MUR-105W-330 | 105W | 13,298 | 128 | 3000K | PA029GCY |
| ESL-MUR-105W-340 | 105W | 13,576 | 130 | 4000K | PQ2HQL77 |
| ESL-MUR-105W-350 | 105W | 13,853 | 132 | 5000K | PT4HK5VN |
| ESL-MUR-105W-330-HV | 105W | 12,975 | 124 | 3000K | PW9VB0M0 |
| ESL-MUR-105W-340-HV | 105W | 13,182 | 126 | 4000K | PQZTGD62 |
| ESL-MUR-105W-350-HV | 105W | 13,400 | 128 | 5000K | P9D6B5C6 |



Retrofit Kits for High-Bay Luminaires for Commercial and Industrial Buildings

Integrated-style kits that replace all reflectors and optical systems of existing luminaires. Not screw-in "lamps" intended as HID replacements



| ITEM# | WATTS | LUMEN OUTPUT | EFFICACY (lm/W) | KELVIN | DLC QPL CODE (STANDARD) |
|---------------------|-------|--------------|-----------------|--------|-------------------------|
| ESL-MUR-105W-330 | 105W | 12,794 | 124 | 3000K | PY2LBQ1H |
| ESL-MUR-105W-340 | 105W | 13,212 | 128 | 4000K | P2ZJOT5M |
| ESL-MUR-105W-350 | 105W | 13,630 | 132 | 5000K | PLT389PO |
| ESL-MUR-105W-330-HV | 105W | 12,483 | 121 | 3000K | P427CIRQ |
| ESL-MUR-105W-340-HV | 105W | 12,842 | 124 | 4000K | PL45HORD |
| ESL-MUR-105W-350-HV | 105W | 13,209 | 128 | 5000K | P6AUNFQ6 |

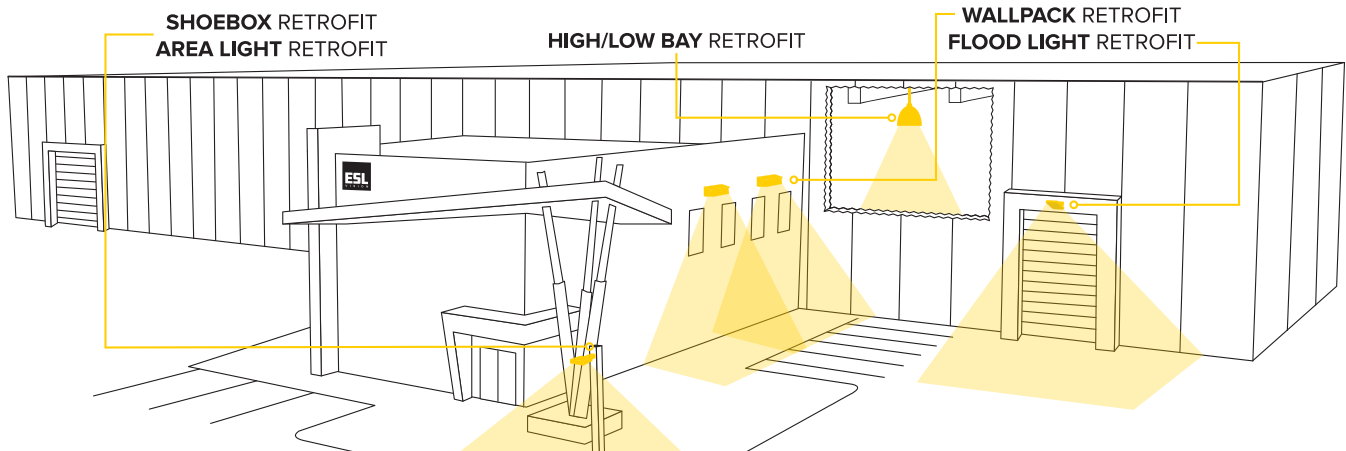


Retrofit Kits for Outdoor Full-Cutoff Wall-Mounted Luminaires

Integrated-style kits that replace all reflectors and optical systems of existing luminaires. Not screw-in "lamps" intended as HID replacements

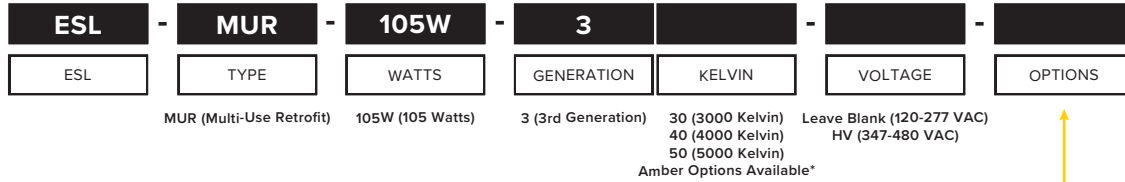


| ITEM# | WATTS | LUMEN OUTPUT | EFFICACY (lm/W) | KELVIN | DLC QPL CODE (STANDARD) |
|---------------------|-------|--------------|-----------------|--------|-------------------------|
| ESL-MUR-105W-330 | 105W | 12,176 | 118 | 3000K | P7WFBFOW |
| ESL-MUR-105W-340 | 105W | 12,574 | 122 | 4000K | P7B2A0YS |
| ESL-MUR-105W-350 | 105W | 12,971 | 125 | 5000K | P8IZHDZU |
| ESL-MUR-105W-330-HV | 105W | 11,892 | 115 | 3000K | P4Q9XNMX |
| ESL-MUR-105W-340-HV | 105W | 12,234 | 118 | 4000K | PLCUBUSN |
| ESL-MUR-105W-350-HV | 105W | 12,571 | 122 | 5000K | PTES8HOM |



Ordering Guide:

Example Part Number: **ESL-MUR-105W-330-HV**



*Please see www.eslvision.com for more details

Options (Add as Suffix):

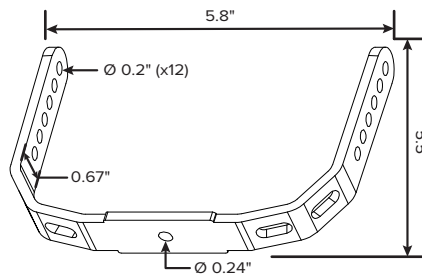
- ESL-3OCC
- ESL-3OCCB
- ESL-4OCC-LDD
- ESL-SPD-277-1
- ESL-REM-100

- IP65 0-10v Dimming Sensor. 8'- 50' Mounting, Wire From Side
- IP65 0-10v Dimming Sensor. 8'- 50' Mounting, Wire From Top
- Photocell/Occupancy Sensor for Standard Mounting, Dip Switch, 0-10v
- Hard Wire Surge Protector; (100-277 VAC) Max Discharge Current: 20kA
- Hand Held Remote to Program 2OCC-HDD, 3OCC/B and 4OCC-LDD

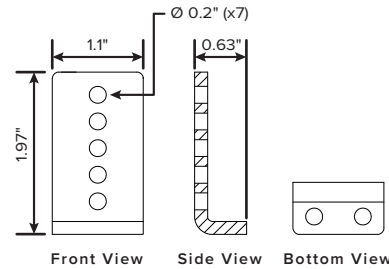
What's Included:

- (1) LED MUR
- (1) LED Outdoor Driver
- Assembled Mounting Hardware
 - U-Bracket
 - L-Bracket
- Additional Mounting Hardware
 - Hanger Block
 - L-Plate
 - Small Plate
 - Large Plate

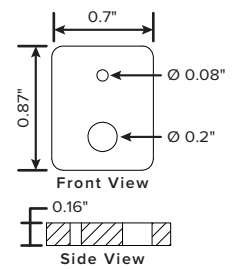
U-Bracket



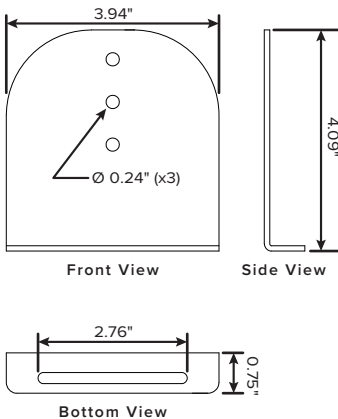
L-Bracket



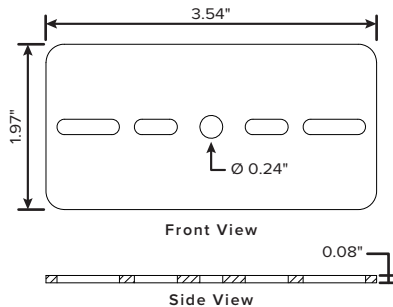
Hanger Block



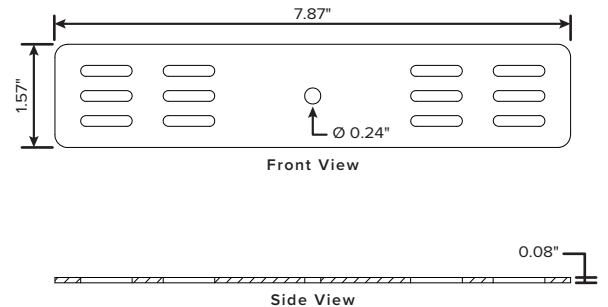
L-Plate



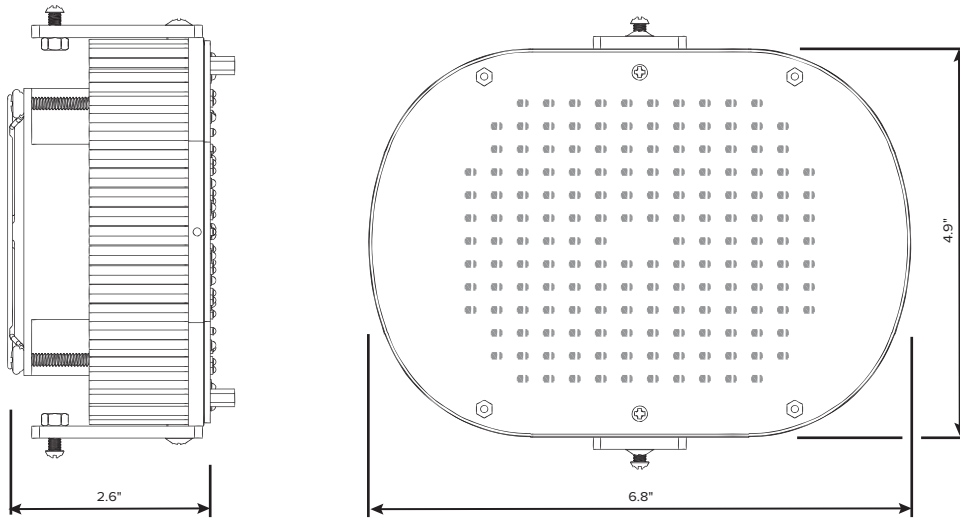
Small Plate



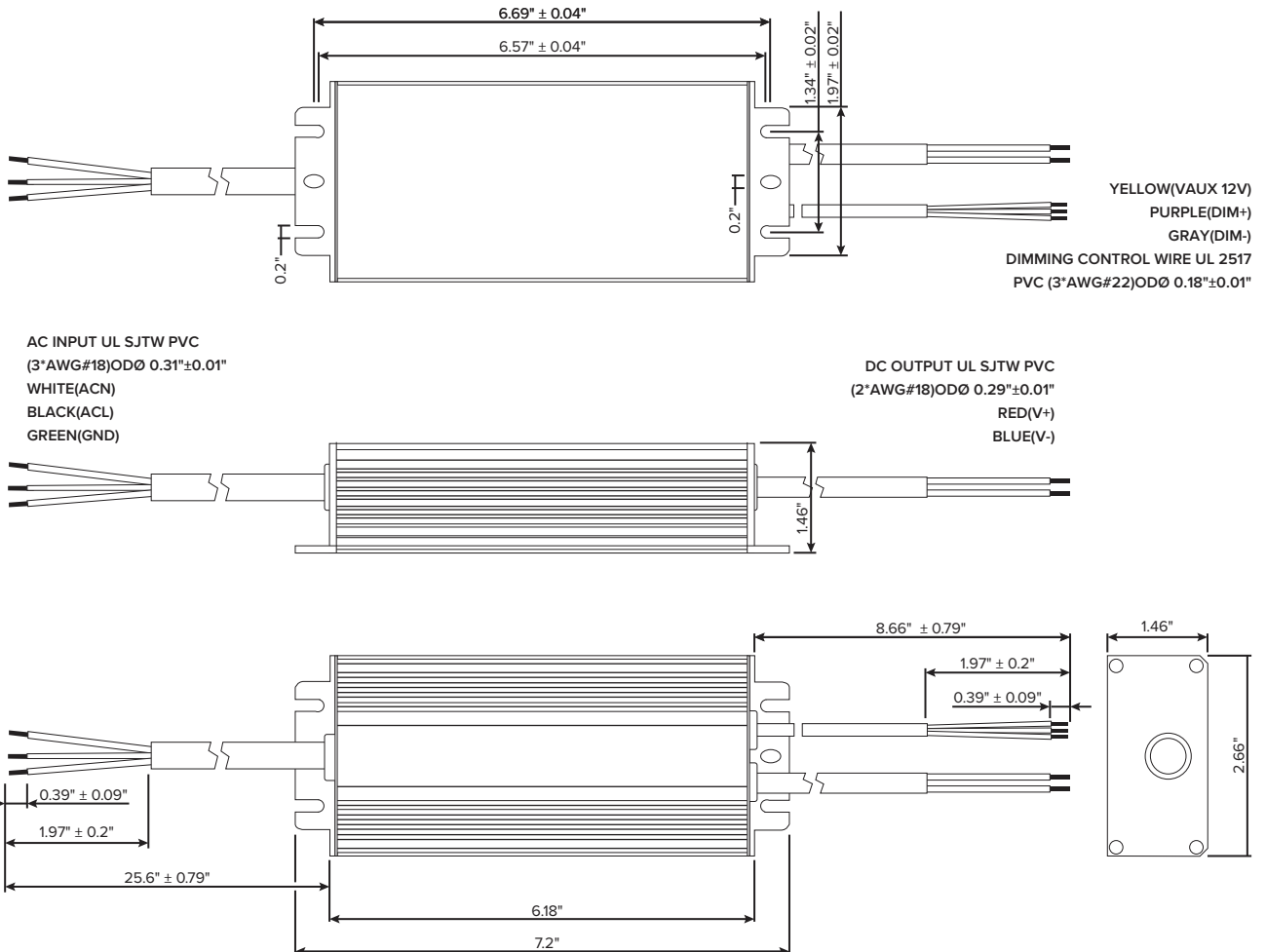
Large Plate



Dimensions:



Standard Driver Dimensions:



High Voltage Driver Dimensions:

