

Key Features & Benefits:

- Multiple Mounting Options Designed to Retrofit
 - Street Lights
 - High Bays / Low Bays
 - Garage Lights
 - Shoe Box Fixtures
 - Wall Packs
- Utilize Existing Fixture
- 10 Year Warranty
- Optimized Pin Array Heatsink
- Overheat Shutdown
- L70 Lifetime >100,000 Hours
- Intelligent Thermal Control
- Compatible with Networked Lighting Control Qualified Systems



Project:

Date:

Catalog #:

Notes:



Technical Specifications:

Light Specifications

- Lumen Output: Up to 15,500 Lumens
- Efficacy (lm/W): Up to 129 Lumens per Watt
- Kelvin: 3000K, 4000K, 5000K
- CRI: >75
- Rated Life (hrs): 100,000 Hours
- IES Classification: Fixture Dependant
- Dimensions (LxWxH): 6.8" x 4.9" x 2.6"
- Weight Without Driver (lbs): 1.05

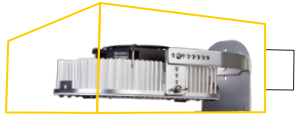
Driver Specifications

- Power: 120 Watts
- Input Voltage: 120-277 VAC | HV - 347-480 VAC
- Input Current @120V: 1.0A
- Input Current @277V: 0.43A
- Input Current @480V: 0.25A
- Operating Temperature: -40°F to 176°F (-40°C to 80°C)

*Assembled in the USA option available upon request
 Not All Part Numbers DLC Qualified. For a Complete Listing Please Consult the DLC Qualified Products List (QPL).

Retrofit Kits for Outdoor Pole/Arm-Mounted Area and Roadway Luminaires

Integrated-style kits that replace all reflectors and optical systems of existing luminaires. Not screw-in "lamps" intended as HID replacements.

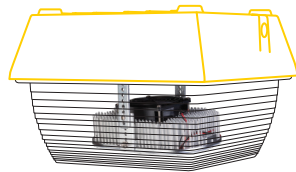


ITEM#	WATTS	LUMEN OUTPUT	EFFICACY (lm/W)	KELVIN	DLC QPL CODE (PREMIUM)
ESL-MUR-120W-330	120W	14,645	122	3000K	PSQZC6DG
ESL-MUR-120W-340	120W	15,073	125	4000K	PA2JNQHJ
ESL-MUR-120W-350	120W	15,500	129	5000K	PJSMFJPY
ESL-MUR-120W-330-HV	120W	14,387	120	3000K	PSQZC6DG
ESL-MUR-120W-340-HV	120W	14,759	123	4000K	PJSMFJPY
ESL-MUR-120W-350-HV	120W	15,138	126	5000K	P3C4FEDY



Retrofit Kits for Fuel Pump Canopy Luminaires

Integrated-style kits that replace all reflectors and optical systems of existing luminaires. Not screw-in "lamps" intended as HID replacements.

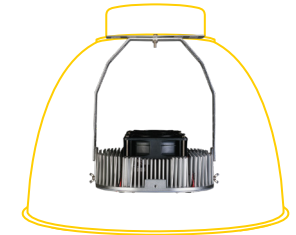


ITEM#	WATTS	LUMEN OUTPUT	EFFICACY (lm/W)	KELVIN	DLC QPL CODE (STANDARD)
ESL-MUR-120W-330	120W	14,649	123	3000K	PRQRSDOA
ESL-MUR-120W-340	120W	14,950	125	4000K	PMI5X13T
ESL-MUR-120W-350	120W	15,250	127	5000K	PFV8LGV1
ESL-MUR-120W-330-HV	120W	14,379	121	3000K	PEM1VION
ESL-MUR-120W-340-HV	120W	14,613	123	4000K	PE58V5IZ
ESL-MUR-120W-350-HV	120W	14,857	125	5000K	PIQWNYBT



Retrofit Kits for High-Bay Luminaires for Commercial and Industrial Buildings

Integrated-style kits that replace all reflectors and optical systems of existing luminaires. Not screw-in "lamps" intended as HID replacements

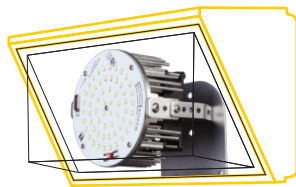


ITEM#	WATTS	LUMEN OUTPUT	EFFICACY (lm/W)	KELVIN	DLC QPL CODE (STANDARD)
ESL-MUR-120W-330	120W	14,374	122	3000K	P4RPDALV
ESL-MUR-120W-340	120W	14,806	125	4000K	PT4EAQVF
ESL-MUR-120W-350	120W	15,237	129	5000K	PAZKM7Z2
ESL-MUR-120W-330-HV	120W	14,108	120	3000K	PE58F444
ESL-MUR-120W-340-HV	120W	14,484	123	4000K	PD3G8J70
ESL-MUR-120W-350-HV	120W	14,868	126	5000K	PE4EXPRZ

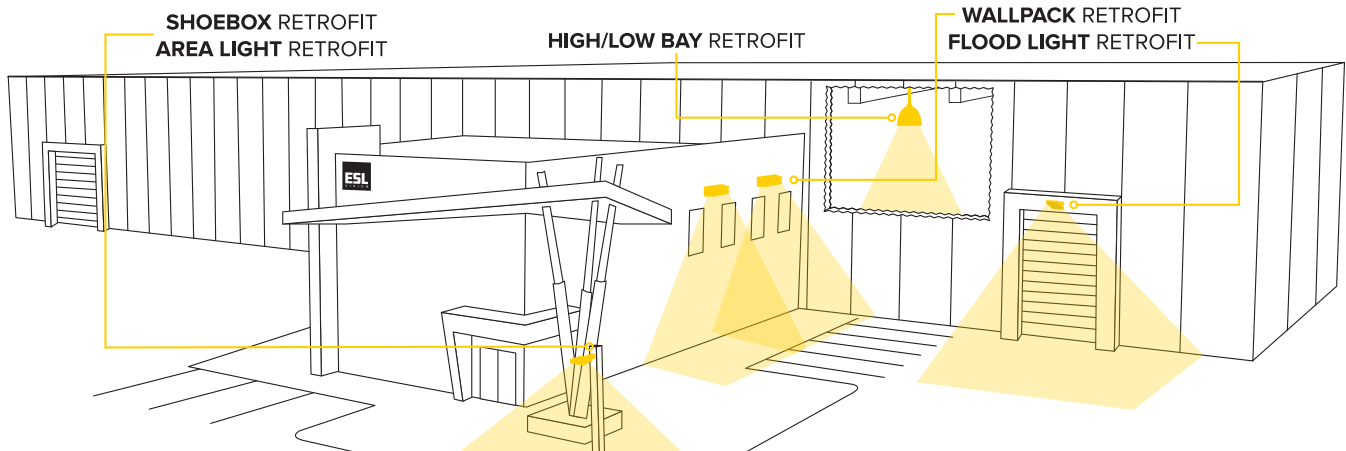


Retrofit Kits for Outdoor Full-Cutoff Wall-Mounted Luminaires

Integrated-style kits that replace all reflectors and optical systems of existing luminaires. Not screw-in "lamps" intended as HID replacements

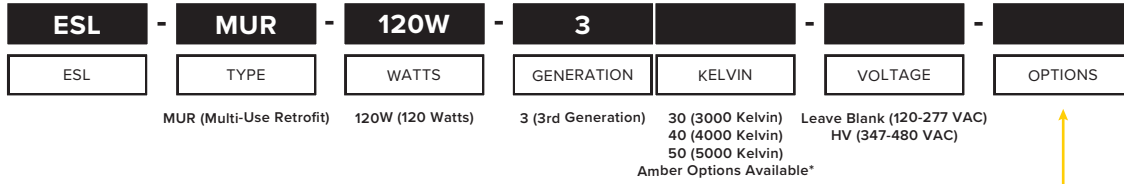


ITEM#	WATTS	LUMEN OUTPUT	EFFICACY (lm/W)	KELVIN	DLC QPL CODE (STANDARD)
ESL-MUR-120W-330	120W	13,289	113	3000K	P64FYI5F
ESL-MUR-120W-340	120W	13,717	116	4000K	PDLDDN7L
ESL-MUR-120W-350	120W	14,144	119	5000K	PXK6GQSG
ESL-MUR-120W-330-HV	120W	13,066	111	3000K	PIDWZ5AW
ESL-MUR-120W-340-HV	120W	13,430	114	4000K	PX42TDOQ
ESL-MUR-120W-350-HV	120W	13,790	117	5000K	P2AHX4HS



Ordering Guide:

Example Part Number: **ESL-MUR-120W-330-HV**



*Please see www.eslvision.com for more details

Options (Add as Suffix):

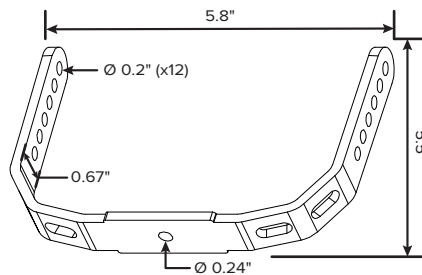
- ESL-3OCC
- ESL-3OCCB
- ESL-4OCC-LDD
- ESL-SPD-277-1
- ESL-REM-100

- IP65 0-10v Dimming Sensor. 8'- 50' Mounting, Wire From Side
- IP65 0-10v Dimming Sensor. 8'- 50' Mounting, Wire From Top
- Photocell/Occupancy Sensor for Standard Mounting, Dip Switch, 0-10v
- Hard Wire Surge Protector; (100-277 VAC) Max Discharge Current: 20kA
- Hand Held Remote to Program 2OCC-HDD, 3OCC/B and 4OCC-LDD

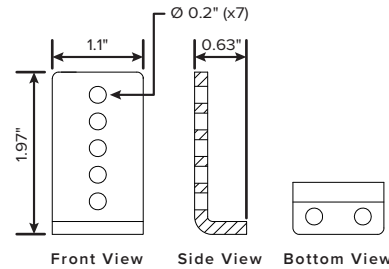
What's Included:

- (1) LED MUR
- (1) LED Outdoor Driver
- Assembled Mounting Hardware
 - U-Bracket
 - L-Bracket
- Additional Mounting Hardware
 - Hanger Block
 - L-Plate
 - Small Plate
 - Large Plate

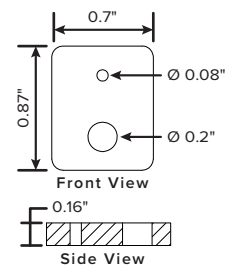
U-Bracket



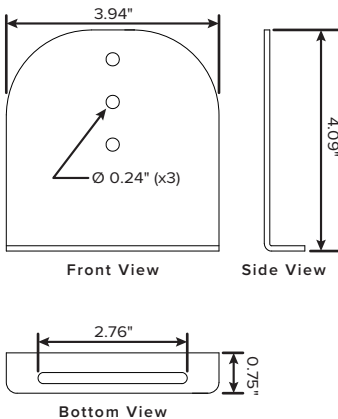
L-Bracket



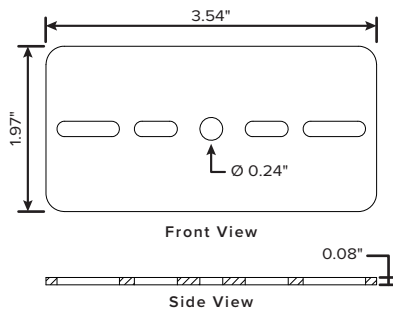
Hanger Block



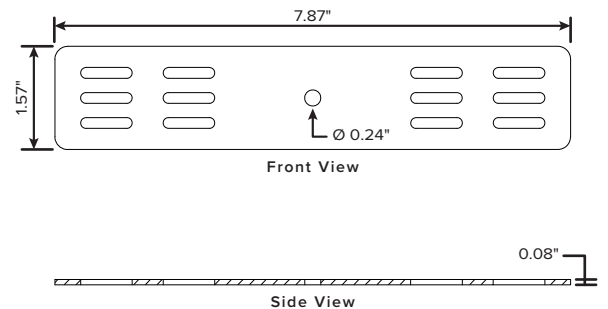
L-Plate



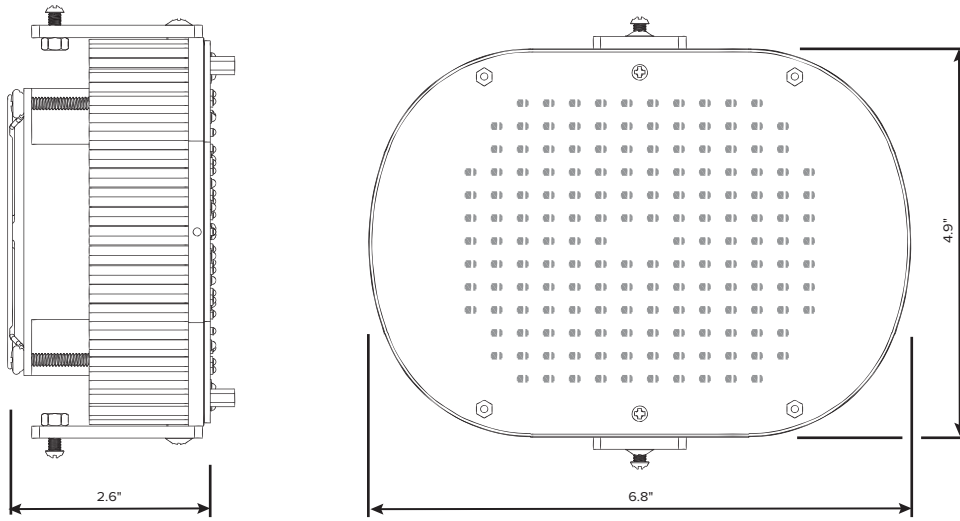
Small Plate



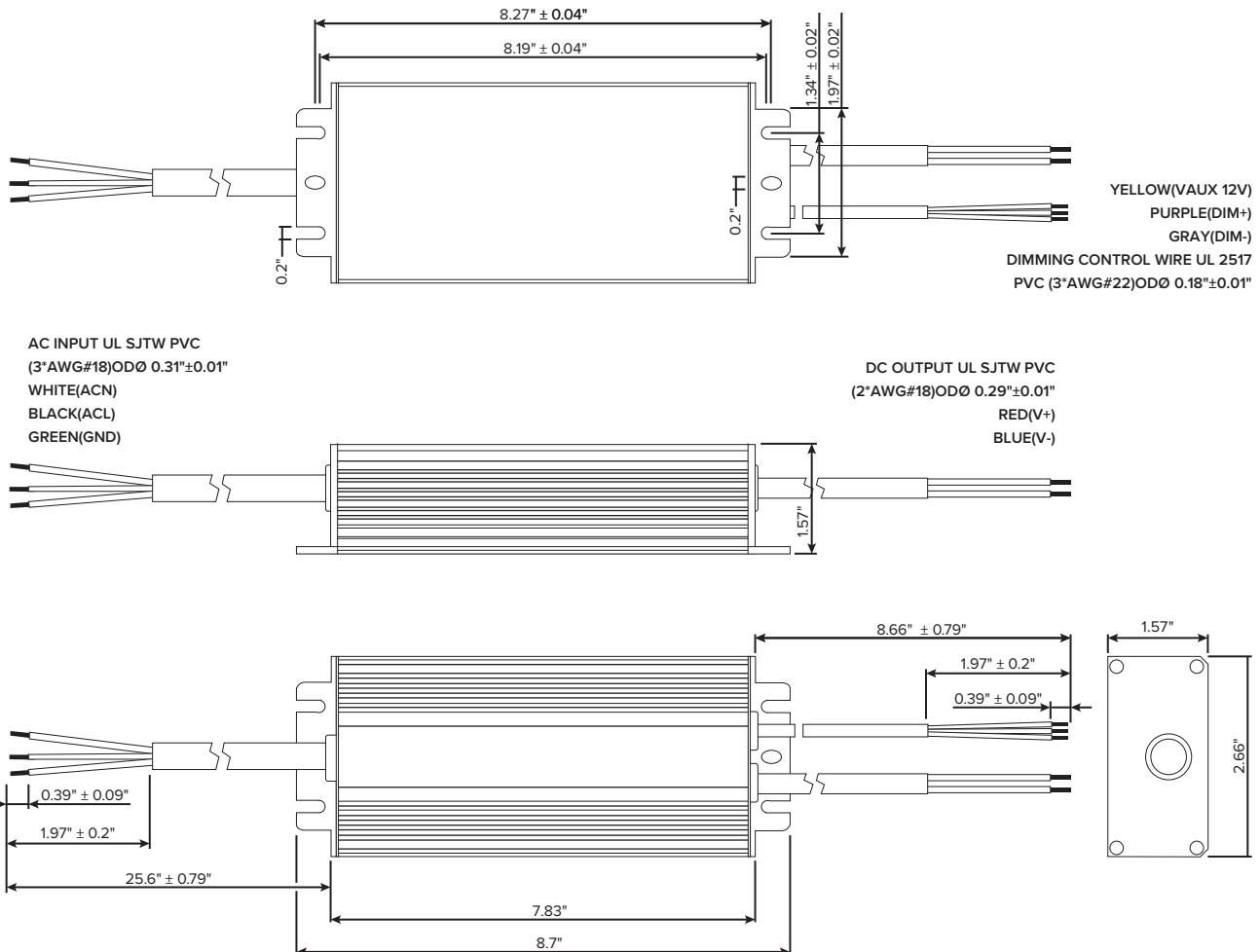
Large Plate



Dimensions:



Standard Driver Dimensions:



High Voltage Driver Dimensions:

