

Key Features & Benefits:

- Multiple Mounting Options Designed to Retrofit
 - Street Lights
 - High Bays / Low Bays
 - Garage Lights
 - Shoe Box Fixtures
 - Wall Packs
- Utilize Existing Fixture
- 10 Year Warranty
- Optimized Pin Array Heatsink
- Overheat Shutdown
- L70 Lifetime >100,000 Hours
- Intelligent Thermal Control
- Compatible with Networked Lighting Control Qualified Systems



Project: _____

Date: _____

Catalog #: _____

Notes: _____



Technical Specifications:

Light Specifications

- Lumen Output: Up to 20,520 Lumens
- Efficacy (lm/W): Up to 137 Lumens per Watt
- Kelvin: 3000K, 4000K, 5000K
- CRI: >75
- Rated Life (hrs): 100,000 Hours
- IES Classification: Fixture Dependant
- Dimensions (LxWxH): 8.6" x 5.7" x 2.5"
- Weight Without Driver (lbs): 1.7

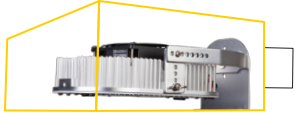
Driver Specifications

- Power: 150 Watts
- Input Voltage: 120-277 VAC | HV - 347-480 VAC
- Input Current @120V: 1.25A
- Input Current @277V: 0.54A
- Input Current @480V: 0.312A
- Operating Temperature: -40°F to 176°F (-40°C to 80°C)

*Assembled in the USA option available upon request
 Not All Part Numbers DLC Qualified. For a Complete Listing Please Consult the DLC Qualified Products List (QPL).

Retrofit Kits for Outdoor Pole/Arm-Mounted Area and Roadway Luminaires

Integrated-style kits that replace all reflectors and optical systems of existing luminaires. Not screw-in "lamps" intended as HID replacements.

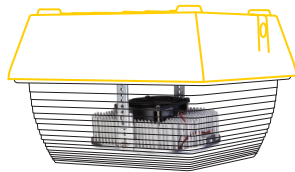


ITEM#	WATTS	LUMEN OUTPUT	EFFICACY (lm/W)	KELVIN	DLC QPL CODE (PREMIUM)
ESL-MUR-150W-330	150W	19,450	130	3000K	PADDSX8S
ESL-MUR-150W-340	150W	19,985	133	4000K	PJTJMV3A
ESL-MUR-150W-350	150W	20,520	137	5000K	PXWZ8WQD
ESL-MUR-150W-330-HV	150W	19,198	128	3000K	PP72352F
ESL-MUR-150W-340-HV	150W	19,687	131	4000K	PX6K87BS
ESL-MUR-150W-350-HV	150W	20,174	135	5000K	P5CUQWCA



Retrofit Kits for Fuel Pump Canopy Luminaires

Integrated-style kits that replace all reflectors and optical systems of existing luminaires. Not screw-in "lamps" intended as HID replacements.

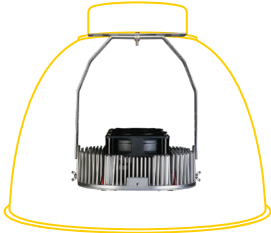


ITEM#	WATTS	LUMEN OUTPUT	EFFICACY (lm/W)	KELVIN	DLC QPL CODE (STANDARD)
ESL-MUR-150W-330	150W	19,350	130	3000K	PH7YZY3D
ESL-MUR-150W-340	150W	19,759	132	4000K	P8O6VD47
ESL-MUR-150W-350	150W	20,168	134	5000K	PLAINCDA
ESL-MUR-150W-330-HV	150W	19,101	128	3000K	PWX6662L
ESL-MUR-150W-340-HV	150W	19,400	130	4000K	P8YC9ZIU
ESL-MUR-150W-350-HV	150W	19,709	133	5000K	PGSCGZ8L

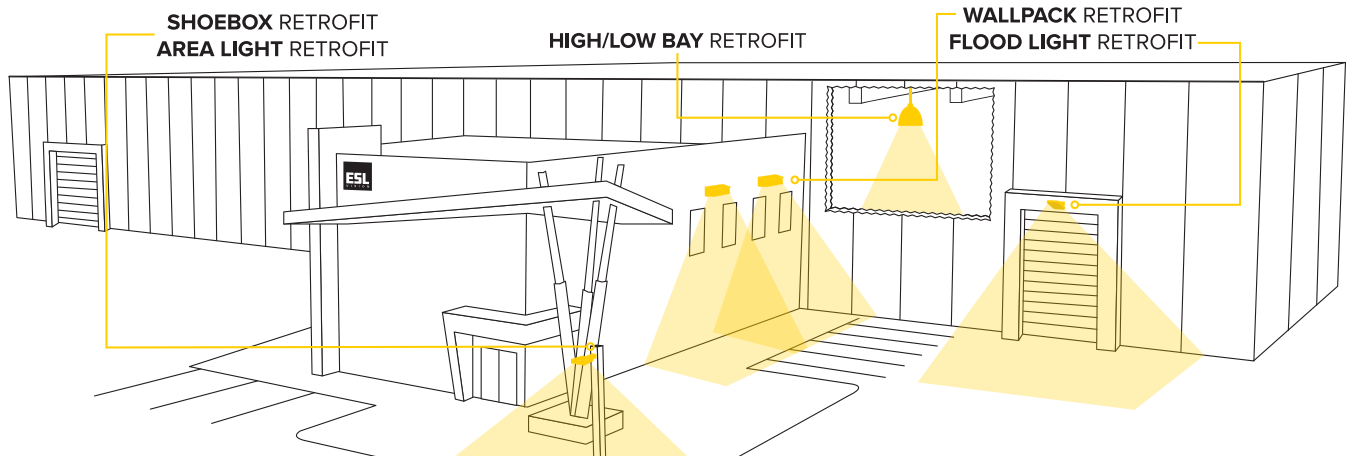


Retrofit Kits for High-Bay Luminaires for Commercial and Industrial Buildings

Integrated-style kits that replace all reflectors and optical systems of existing luminaires. Not screw-in "lamps" intended as HID replacements

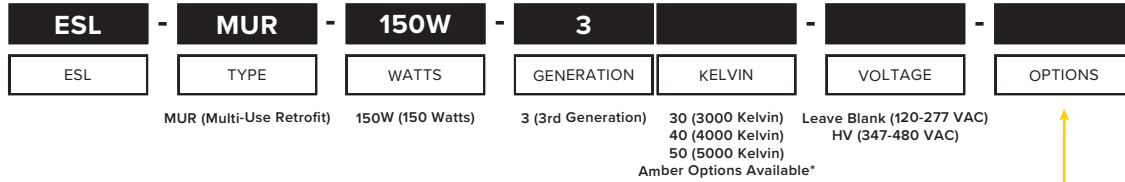


ITEM#	WATTS	LUMEN OUTPUT	EFFICACY (lm/W)	KELVIN	DLC QPL CODE (STANDARD)
ESL-MUR-150W-330	150W	18,572	128	3000K	PZ9Q8IDF
ESL-MUR-150W-340	150W	19,138	132	4000K	PRSVKOT2
ESL-MUR-150W-350	150W	19,704	135	5000K	P40823CQ
ESL-MUR-150W-330-HV	150W	18,346	126	3000K	PCHA1G8E
ESL-MUR-150W-340-HV	150W	18,853	130	4000K	PJ3H5XO5
ESL-MUR-150W-350-HV	150W	19,358	133	5000K	P519Q555



Ordering Guide:

Example Part Number: **ESL-MUR-150W-330-HV**



*Please see www.eslvision.com for more details

Options (Add as Suffix):

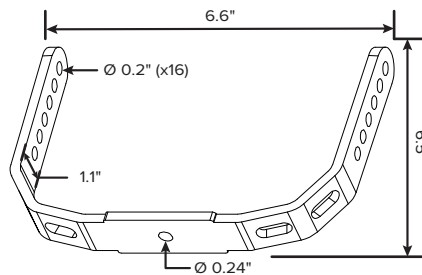
- ESL-3OCC
- ESL-3OCCB
- ESL-4OCC-LDD
- ESL-SPD-277-1
- ESL-REM-100

- IP65 0-10v Dimming Sensor. 8'- 50' Mounting, Wire From Side
- IP65 0-10v Dimming Sensor. 8'- 50' Mounting, Wire From Top
- Photocell/Occupancy Sensor for Standard Mounting, Dip Switch, 0-10v
- Hard Wire Surge Protector; (100-277 VAC) Max Discharge Current: 20kA
- Hand Held Remote to Program 2OCC-HDD, 3OCC/B and 4OCC-LDD

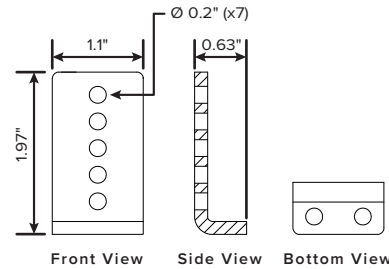
What's Included:

- (1) LED MUR
- (1) LED Outdoor Driver
- Assembled Mounting Hardware
 - U-Bracket
 - L-Bracket
- Additional Mounting Hardware
 - Hanger Block
 - L-Plate
 - Small Plate
 - Large Plate

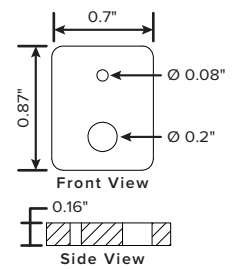
U-Bracket



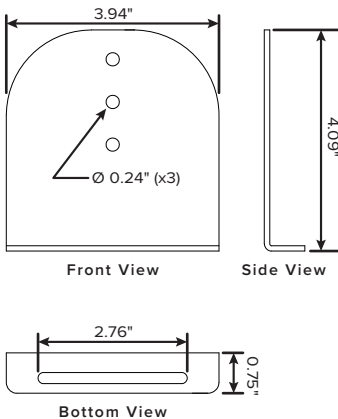
L-Bracket



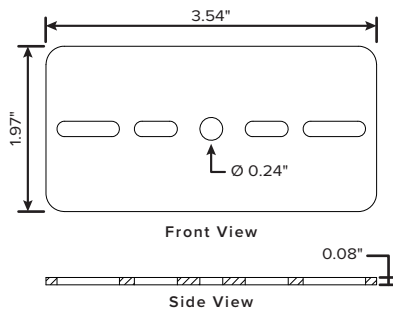
Hanger Block



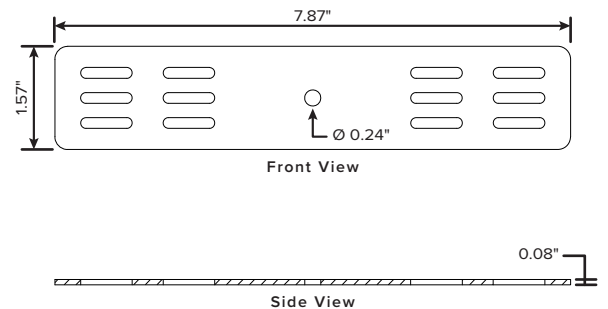
L-Plate



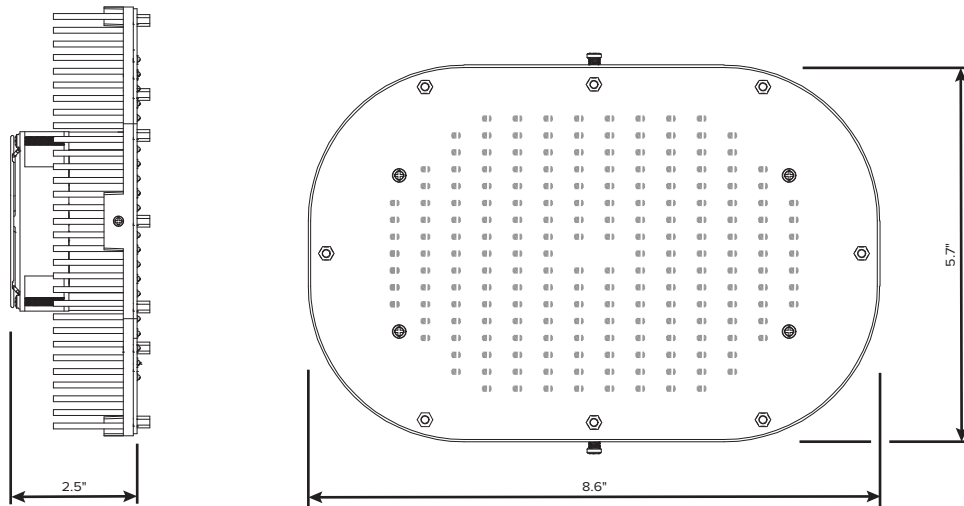
Small Plate



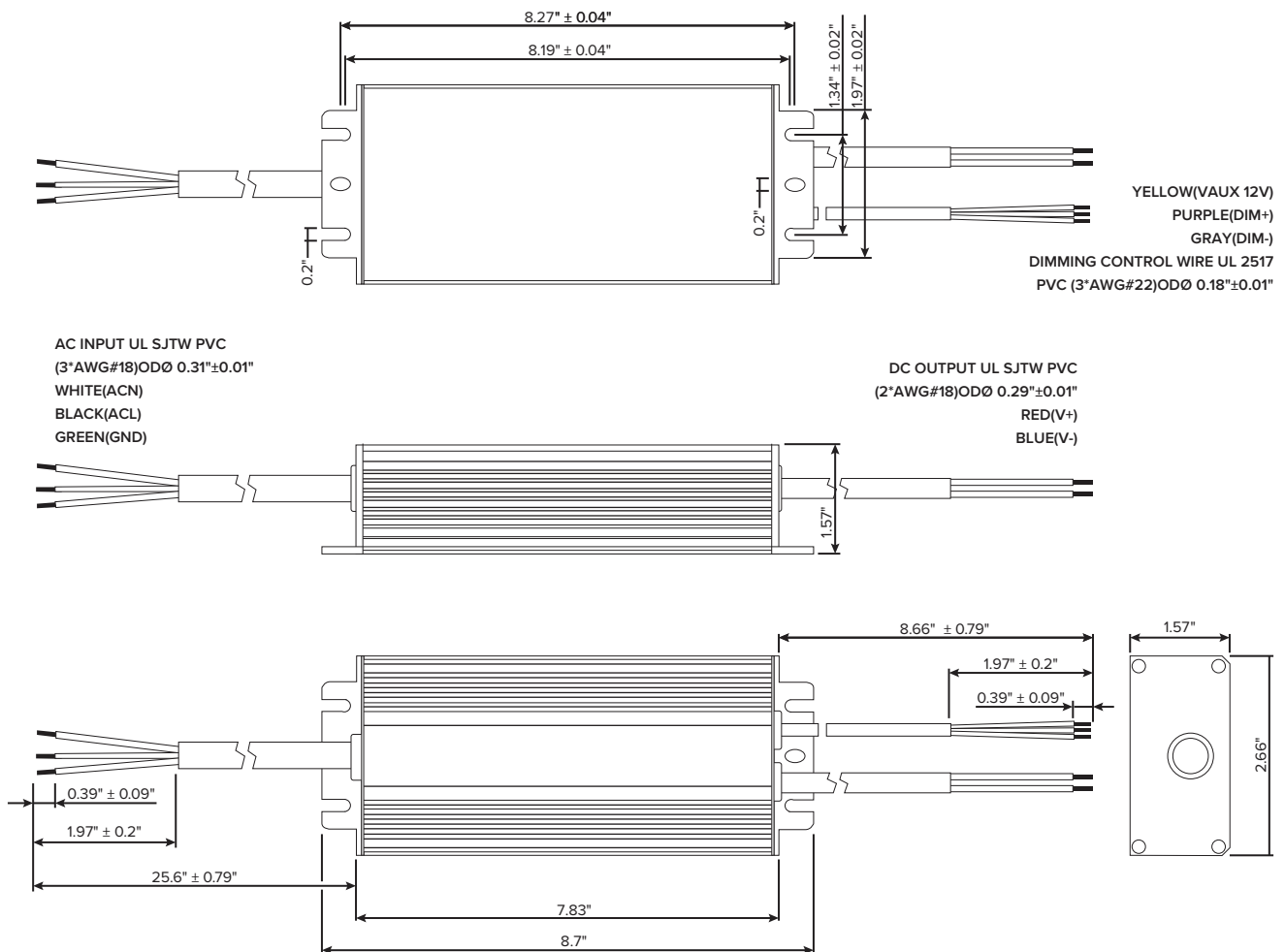
Large Plate



Dimensions:



Standard Driver Dimensions:



High Voltage Driver Dimensions:

