

Key Features & Benefits:

- Multiple Mounting Options Designed to Retrofit
 - Street Lights
 - High Bays / Low Bays
 - Garage Lights
 - Shoe Box Fixtures
 - Wall Packs
- Utilize Existing Fixture
- 10 Year Warranty
- Optimized Pin Array Heatsink
- Overheat Shutdown
- L70 Lifetime >100,000 Hours
- Intelligent Thermal Control
- Compatible with Networked Lighting Control Qualified Systems



Project: _____ Date: _____

Catalog #: _____

Notes: _____



Technical Specifications:

Light Specifications

- Lumen Output: Up to 49,194 Lumens
- Efficacy (lm/W): Up to 141 Lumens per Watt
- Kelvin: 3000K, 4000K, 5000K
- CRI: >75
- Rated Life (hrs): 100,000 Hours
- IES Classification: Fixture Dependant
- Dimensions (LxWxH): 11.6" x 9.0" x 3.4"
- Weight Without Driver (lbs): 4.2

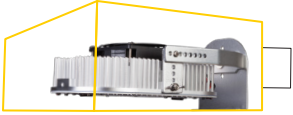
Driver Specifications

- Power: 350 Watts
- Input Voltage: 120-277 VAC | HV - 347-480 VAC
- Input Current @120V: 2.92A
- Input Current @277V: 1.26A
- Input Current @480V: 0.73A
- Operating Temperature: -40°F to 176°F (-40°C to 80°C)

*Assembled in the USA option available upon request
 Not All Part Numbers DLC Qualified. For a Complete Listing Please Consult the DLC Qualified Products List (QPL).

Retrofit Kits for Outdoor Pole/Arm-Mounted Area and Roadway Luminaires

Integrated-style kits that replace all reflectors and optical systems of existing luminaires. Not screw-in "lamps" intended as HID replacements.



ITEM#	WATTS	LUMEN OUTPUT	EFFICACY (lm/W)	KELVIN	DLC QPL CODE (PREMIUM)
ESL-MUR-350W-330	350W	40,830	117	3000K	P3RD9TYA
ESL-MUR-350W-340	350W	42,146	120	4000K	PU44ZSCZ
ESL-MUR-350W-350	350W	43,461	123	5000K	P8J9V1WW
ESL-MUR-350W-330-HV	350W	41,979	119	3000K	PB61U899
ESL-MUR-350W-340-HV	350W	43,110	122	4000K	PCFRM3JV
ESL-MUR-350W-350-HV	350W	44,241	125	5000K	PQXZRG13

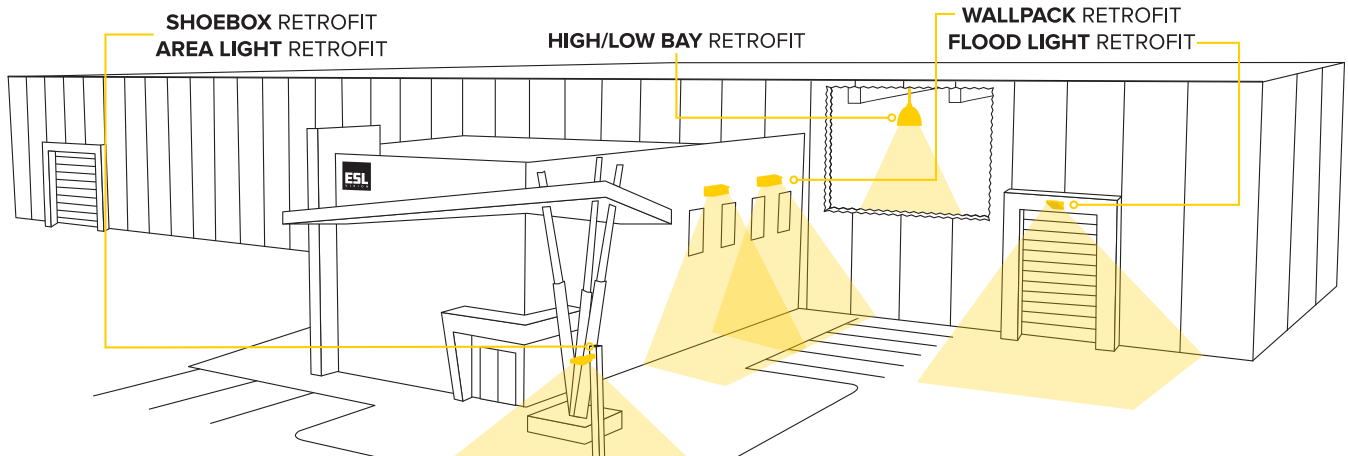


Retrofit Kits for High-Bay Luminaires for Commercial and Industrial Buildings

Integrated-style kits that replace all reflectors and optical systems of existing luminaires. Not screw-in "lamps" intended as HID replacements

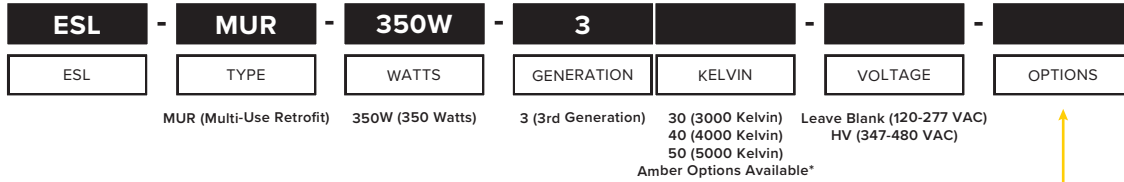


ITEM#	WATTS	LUMEN OUTPUT	EFFICACY (lm/W)	KELVIN	DLC QPL CODE (STANDARD)
ESL-MUR-350W-330	350W	45,940	134	3000K	PN0D5Z46
ESL-MUR-350W-340	350W	47,206	137	4000K	PQQ02ZV3
ESL-MUR-350W-350	350W	48,472	140	5000K	PEYMH07V
ESL-MUR-350W-330-HV	350W	47,030	135	3000K	PKU10CP8
ESL-MUR-350W-340-HV	350W	48,117	138	4000K	PVM085XR
ESL-MUR-350W-350-HV	350W	49,194	141	5000K	P42FF4KP



Ordering Guide:

Example Part Number: **ESL-MUR-350W-330-HV**



*Please see www.eslvision.com for more details

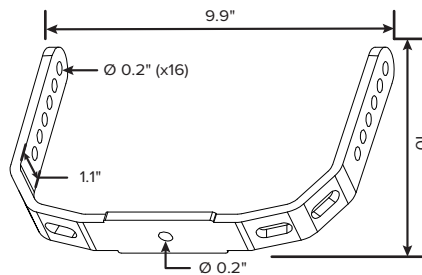
Options (Add as Suffix):

- ESL-30CC IP65 0-10v Dimming Sensor. 8'- 50' Mounting, Wire From Side
- ESL-30CCB IP65 0-10v Dimming Sensor. 8'- 50' Mounting, Wire From Top
- ESL-40CC-LDD Photocell/Occupancy Sensor for Standard Mounting, Dip Switch, 0-10v
- ESL-SPD-277-1 Hard Wire Surge Protector; (100-277 VAC) Max Discharge Current: 20kA
- ESL-REM-100 Hand Held Remote to Program 20CC-HDD, 30CC/B and 40CC-LDD

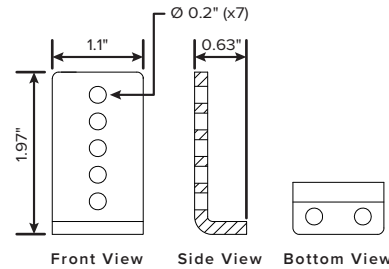
What's Included:

- (1) LED MUR
- (1) LED Outdoor Driver
- Assembled Mounting Hardware
 - U-Bracket
 - L-Bracket
- Additional Mounting Hardware
 - Hanger Block
 - L-Plate
 - Small Plate
 - Large Plate

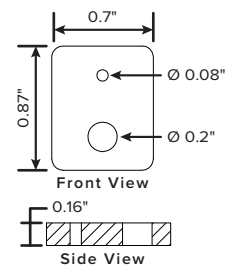
U-Bracket



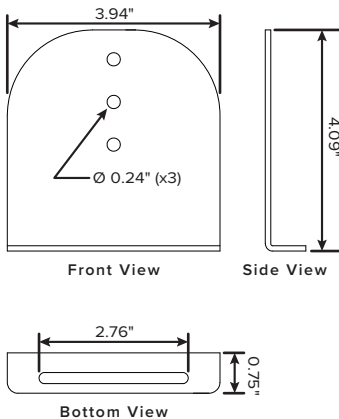
L-Bracket



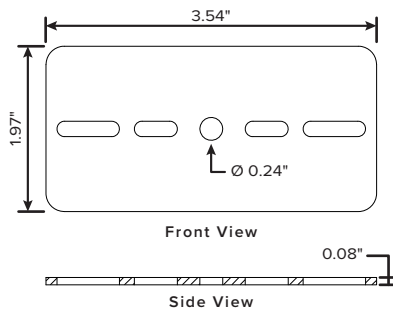
Hanger Block



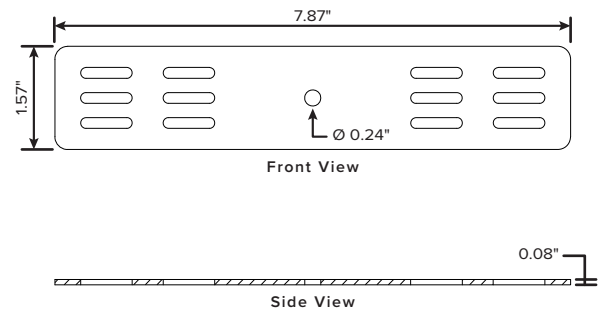
L-Plate



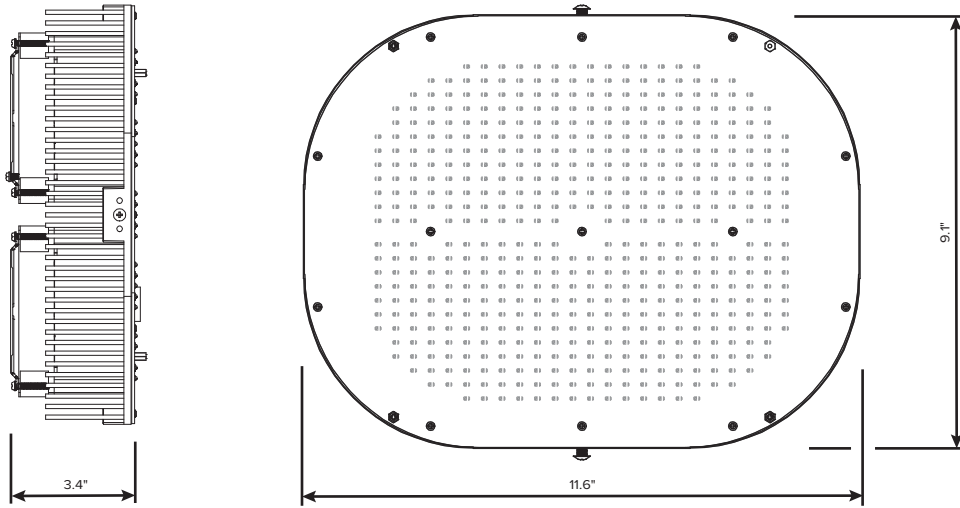
Small Plate



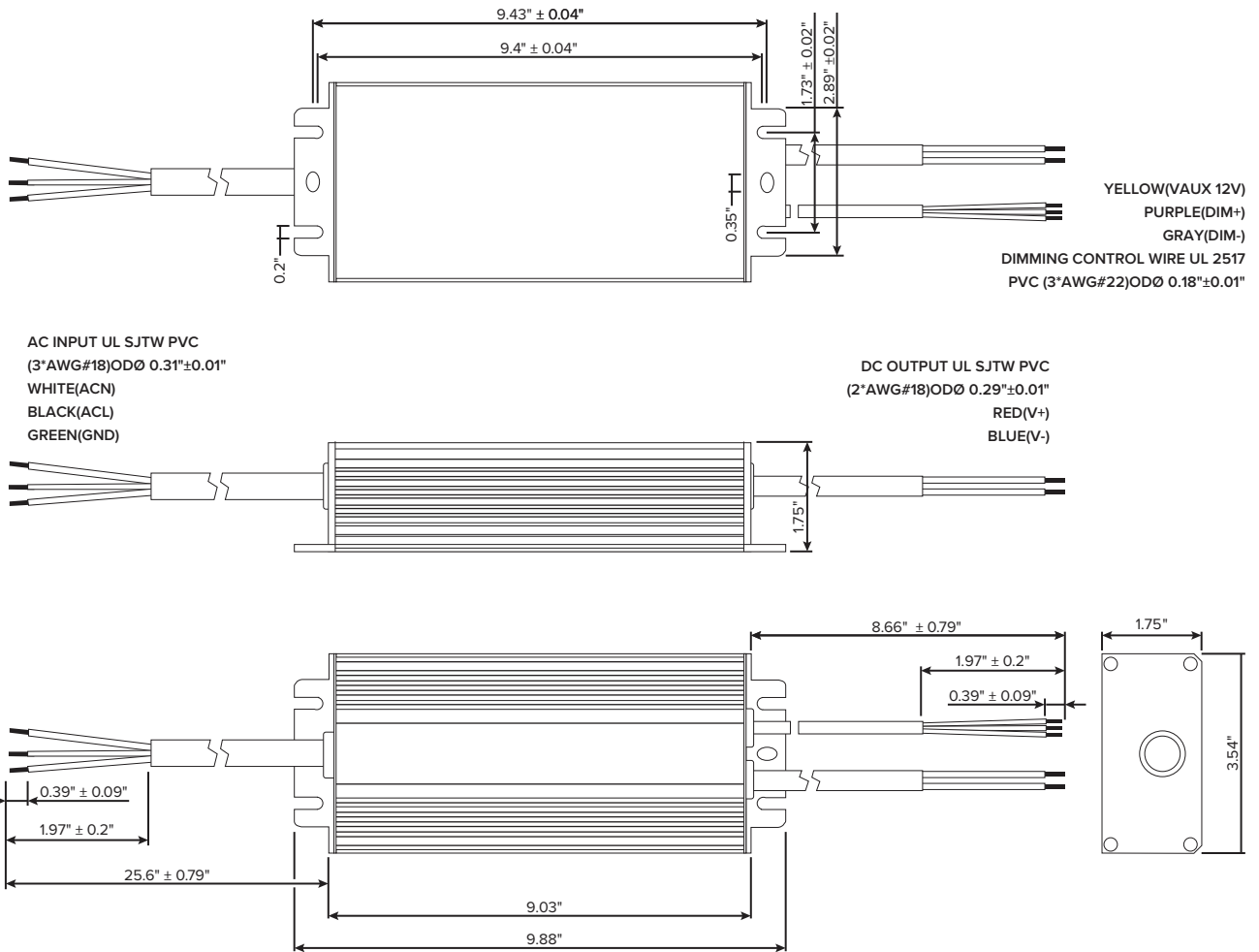
Large Plate



Dimensions:



Standard Driver Dimensions:



High Voltage Driver Dimensions:

