

Key Features & Benefits:

- Plug & Play and Line Voltage Compatible
- Rotatable/Adjustable Base
- Instant On
- 100+ Lumens per Watt
- G24 (2) Pin and (4) Pin Available



Project: _____ Date: _____
 Catalog #: _____
 Notes: _____



Technical Specifications:

- Power: 9 Watts
- Lumen Output: Up to 960
- Efficacy (lm/W): Up to 107 Lumens per Watt
- Kelvin: 3000K, 4000K, 5000K
- CRI: >85
- Input Voltage: 120-277 VAC, Ballast Compatible
- Life Span: 35,000 Hours
- Beam Angle: 120°
- Dimensions (LxWxH): 5.7" x 1.8" x 1.8"



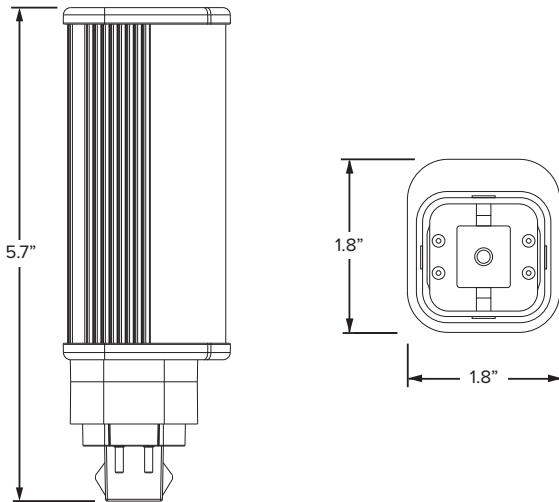
ADJUSTABLE
BASE



PLUG & PLAY



35,000 HRS
LONG LIFE



ITEM#	WATTS	LUMEN OUTPUT	EFFICACY (lm/W)	KELVIN	CRI
ESL-PL-9W-30-G24D	9W	895	100	3000K	>85
ESL-PL-9W-40-G24D	9W	935	104	4000K	>85
ESL-PL-9W-50-G24D	9W	960	107	5000K	>85
ESL-PL-9W-30-G24Q	9W	895	100	3000K	>85
ESL-PL-9W-40-G24Q	9W	935	104	4000K	>85
ESL-PL-9W-50-G24Q	9W	960	107	5000K	>85

*For a complete list of compatible ballasts, refer to our Ballast Compatibility Guide

Ordering Guide:

Example Part Number: **ESL-PL-9W-30-G24D**

ESL	-	PL	-	9W	-	30	-	G24D
ESL		TYPE		WATTS		KELVIN		BASE
		PL		9W (9 Watts)		30 (3000 Kelvin) 40 (4000 Kelvin) 50 (5000 Kelvin)		G24D G24Q