

### Key Features & Benefits:

- Multiple Mounting Options Designed to Retrofit
  - Street Lights
  - High Bays / Low Bays
  - Garage Lights
  - Shoe Box Fixtures
  - Wall Packs
- Utilize Existing Fixture
- 10 Year Warranty
- Optimized Pin Array Heatsink
- Overheat Shutdown
- L70 Lifetime >100,000 Hours
- Intelligent Thermal Control
- Compatible with Networked Lighting Control Qualified Systems



Project: \_\_\_\_\_ Date: \_\_\_\_\_

Catalog #: \_\_\_\_\_

Notes: \_\_\_\_\_



### Technical Specifications:

#### Light Specifications

- Lumen Output: Up to 41,062 Lumens
- Efficacy (lm/W): Up to 145 Lumens per Watt
- Kelvin: 3000K, 4000K, 5000K
- CRI: >75
- Rated Life (hrs): 100,000 Hours
- IES Classification: Fixture Dependant
- Dimensions (LxWxH): 11.6" x 9.0" x 3.4"
- Weight Without Driver (lbs): 4.2

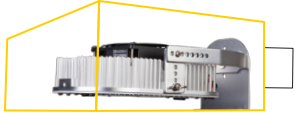
#### Driver Specifications

- Power: 280 Watts
- Input Voltage: 120-277 VAC | HV - 347-480 VAC
- Input Current @120V: 2.92A
- Input Current @277V: 1.26A
- Input Current @480V: 0.73A
- Operating Temperature: -40°F to 176°F (-40°C to 80°C)

\*Assembled in the USA option available upon request  
 Not All Part Numbers DLC Qualified. For a Complete Listing Please Consult the DLC Qualified Products List (QPL).

### Retrofit Kits for Outdoor Pole/Arm-Mounted Area and Roadway Luminaires

Integrated-style kits that replace all reflectors and optical systems of existing luminaires. Not screw-in "lamps" intended as HID replacements.

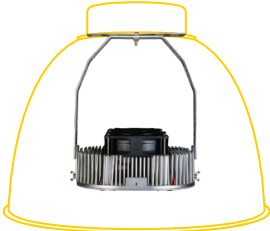


ITEM#	WATTS	LUMEN OUTPUT	EFFICACY (lm/W)	KELVIN	DLC QPL CODE (PREMIUM)
ESL-MUR-280W-330	280W	33,493	117	3000K	P8HJV3SF
ESL-MUR-280W-340	280W	34,597	120	4000K	PAXMRCJ1
ESL-MUR-280W-350	280W	35,701	124	5000K	P2KBWT1Q
ESL-MUR-280W-330-HV	280W	34,434	119	3000K	PPB26HZM
ESL-MUR-280W-340-HV	280W	35,335	122	4000K	P2HTTM1H
ESL-MUR-280W-350-HV	280W	36,235	125	5000K	P23BPCPA

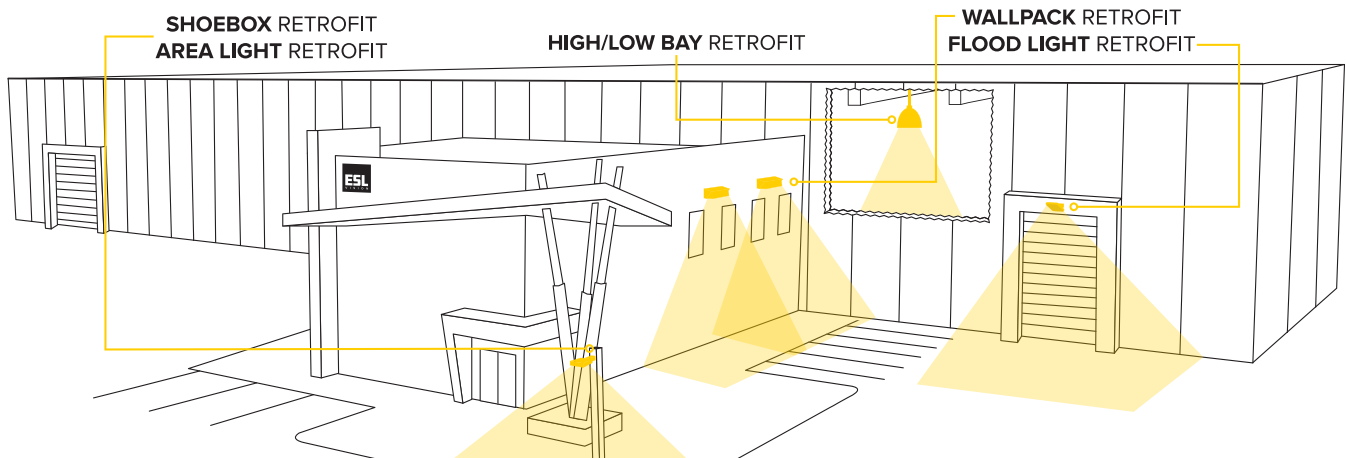


### Retrofit Kits for High-Bay Luminaires for Commercial and Industrial Buildings

Integrated-style kits that replace all reflectors and optical systems of existing luminaires. Not screw-in "lamps" intended as HID replacements

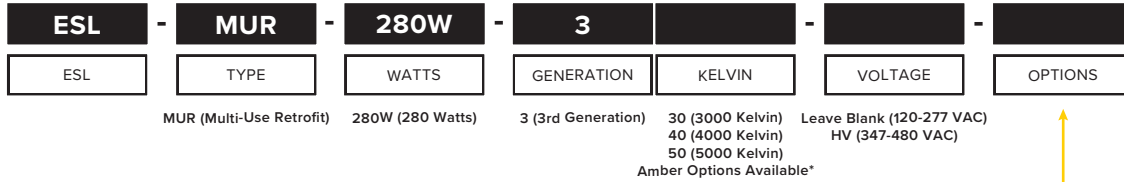


ITEM#	WATTS	LUMEN OUTPUT	EFFICACY (lm/W)	KELVIN	DLC QPL CODE (STANDARD)
ESL-MUR-280W-330	280W	38,216	138	3000K	PD2TJ13V
ESL-MUR-280W-340	280W	39,110	141	4000K	PKZQ14CT
ESL-MUR-280W-350	280W	40,004	144	5000K	PEL4G1MP
ESL-MUR-280W-330-HV	280W	39,409	139	3000K	PEQVSD5E
ESL-MUR-280W-340-HV	280W	40,230	142	4000K	PMVVLG4P
ESL-MUR-280W-350-HV	280W	41,062	145	5000K	POIBIJ9I



### Ordering Guide:

Example Part Number: **ESL-MUR-280W-330-HV**



\*Please see [www.eslvision.com](http://www.eslvision.com) for more details

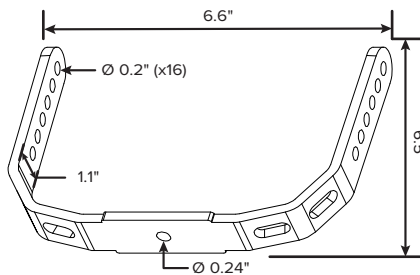
### Options (Add as Suffix):

- ESL-3OCC
  - ESL-3OCCB
  - ESL-4OCC-LDD
  - ESL-SPD-277-1
  - ESL-REM-100
- IP65 0-10v Dimming Sensor. 8'- 50' Mounting, Wire From Side  
 IP65 0-10v Dimming Sensor. 8'- 50' Mounting, Wire From Top  
 Photocell/Occupancy Sensor for Standard Mounting, Dip Switch, 0-10v  
 Hard Wire Surge Protector; (100-277 VAC) Max Discharge Current: 20kA  
 Hand Held Remote to Program 2OCC-HDD, 3OCC/B and 4OCC-LDD

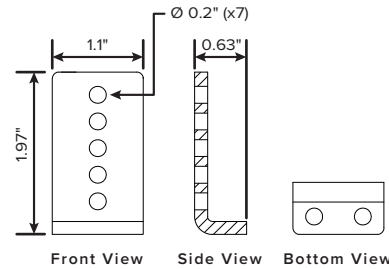
### What's Included:

- (1) LED MUR
- (1) LED Outdoor Driver
- Assembled Mounting Hardware
  - U-Bracket
  - L-Bracket
- Additional Mounting Hardware
  - Hanger Block
  - L-Plate
  - Small Plate
  - Large Plate

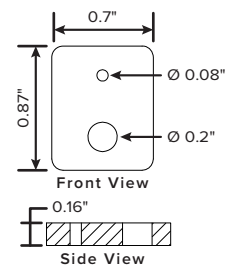
**U-Bracket**



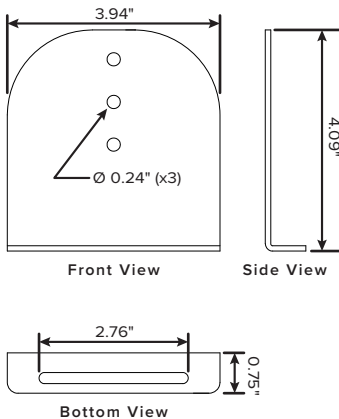
**L-Bracket**



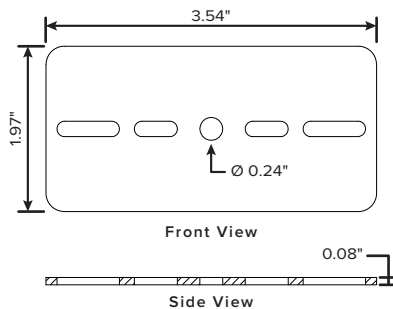
**Hanger Block**



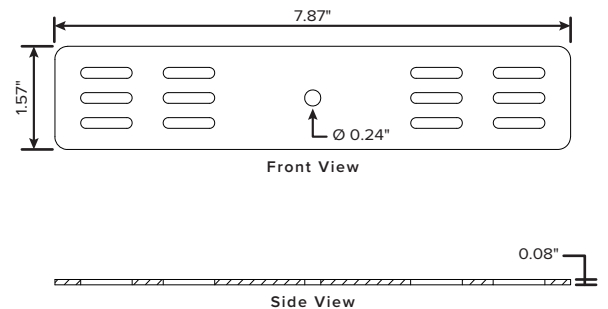
**L-Plate**



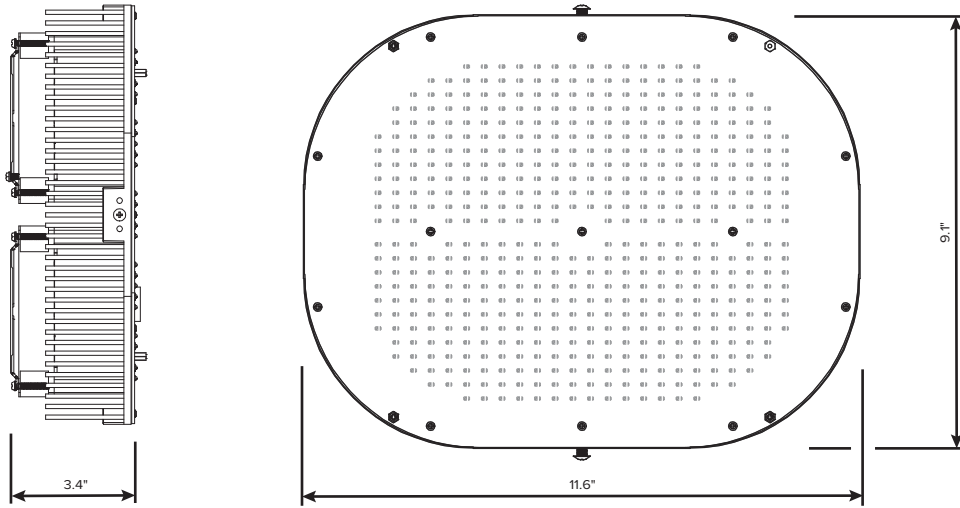
**Small Plate**



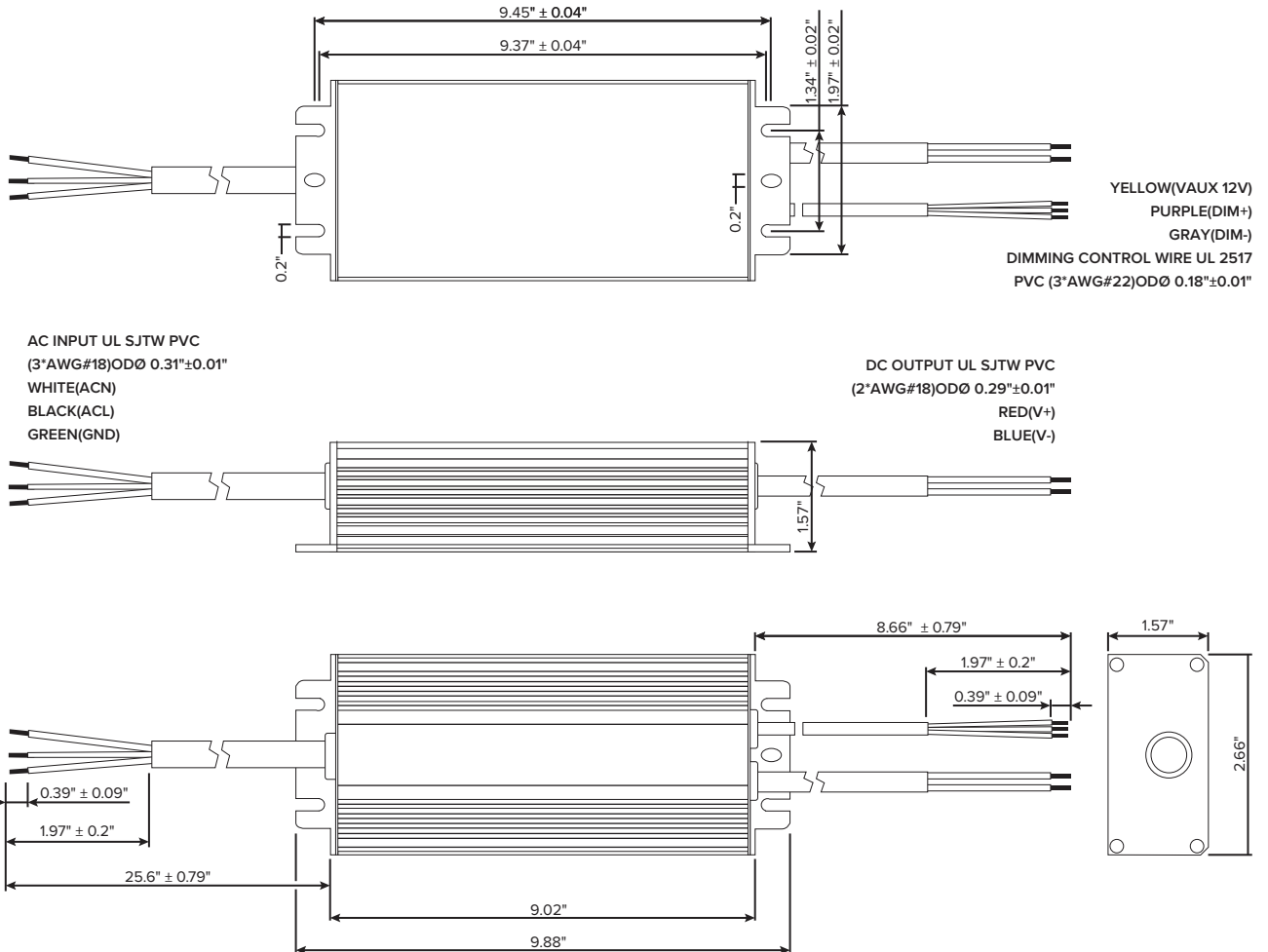
**Large Plate**



**Dimensions:**



**Standard Driver Dimensions:**



**High Voltage Driver Dimensions:**

