

Key Features & Benefits:

- DLC Listed 1x4 Troffer Retrofit Kit
- Installs in Minutes
 - Magnetic Clips
 - Hex Tek Screws
- 36 Available 1x4 Retrofit Kits
 - 24 Available 2x2 Retrofit Kits
 - 54 Available 2x4 Retrofit Kits
- 1,379 to 6,300 Troffer Kit Lumens
- 1,690 to 7,140 Linear Ambient Kit Lumens
- Long Life 80,000 Hours (L70)
 - 10 year warranty (12 hour run times)
 - 7 year warranty (24 hour run times)

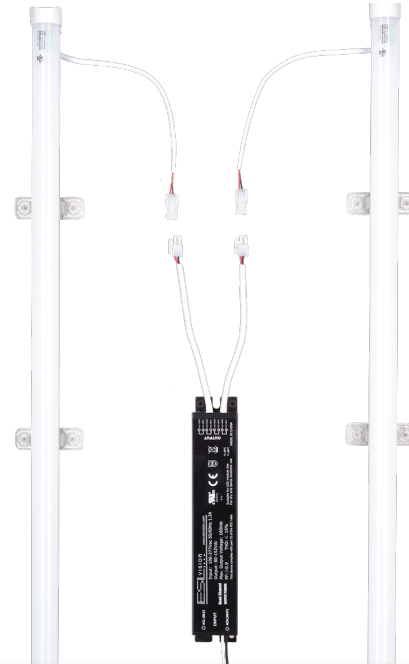


Project: _____

Date: _____

Catalog #: _____

Notes: _____



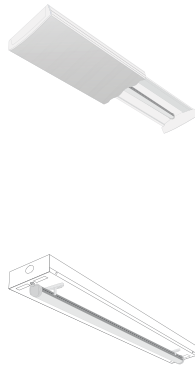
Technical Data:

Light Specifications:

- Linear Ambient Kit Lumens: Up to 3,432 Lumens
- Linear Ambient Kit Efficacy (lm/W): Up to 132 Lumens per Watt
- Troffer Kit Lumens: Up to 2,635 Lumens
- Troffer Kit Efficacy (lm/W): Up to 108 Lumens per Watt
- Kelvin: 3000K, 3500K, 4000K, 5000K
- Color Rendering Index (CRI): >82
- Rated Life: > 80,000 hrs

Driver Data:

- Input Voltage: 120-277 VAC
- Driver Output: Dual Output
- Output Power: 26 Watts
- Input Current @ 120V: 0.217 Amps
- Input Current @ 240V: 0.108 Amps
- Input Current @ 277V: 0.094 Amps
- Total Harmonic Distortion (THD): <10%
- Operating Temperature: -4 ~ 122°F



DLC QPL Application Listing:

ITEM#	TROFFER APPLICATION	DLC QPL CODE
ESL-Ti-K14-S-26W-2L-F30	Linear Retrofit Kit for 1x4 Luminaires	P63E1TZC
ESL-Ti-K14-S-26W-2L-F35	Linear Retrofit Kit for 1x4 Luminaires	PJ57WVMF
ESL-Ti-K14-S-26W-2L-F40	Linear Retrofit Kit for 1x4 Luminaires	P42NZSJM
ESL-Ti-K14-S-26W-2L-F50	Linear Retrofit Kit for 1x4 Luminaires	PHY3Y8JX

ITEM#	LINEAR AMBIENT APPLICATION	DLC QPL CODE
ESL-Ti-K14-S-26W-2L-F30	Retrofit Kit for Direct Linear Ambient Luminaires	PEYGRU4S
ESL-Ti-K14-S-26W-2L-F35	Retrofit Kit for Direct Linear Ambient Luminaires	P2J6KZPJ
ESL-Ti-K14-S-26W-2L-F40	Retrofit Kit for Direct Linear Ambient Luminaires	PESC4KN2
ESL-Ti-K14-S-26W-2L-F50	Retrofit Kit for Direct Linear Ambient Luminaires	PPC53VSX

Catalog Data:

ITEM#	WATTS	KELVIN	TROFFER KIT LUMENS	TROFFER KIT EFFICACY (lm/W)	LINEAR AMBIENT KIT LUMENS	LINEAR AMBIENT KIT EFFICACY (lm/W)
ESL-Ti-K14-S-26W-2L-F30	26W	3000K	2,609	107	3,328	128
ESL-Ti-K14-S-26W-2L-F35	26W	3500K	2,615	108	3,354	129
ESL-Ti-K14-S-26W-2L-F40	26W	4000K	2,622	108	3,380	130
ESL-Ti-K14-S-26W-2L-F50	26W	5000K	2,635	108	3,432	132

Ordering Guide:

ESL	Ti	K14	S	26W	2L	F		
ESL	TYPE	SERIES	CLASS	WATTS	Ti	LENS	KELVIN	OPTIONS
	Ti Series	K14 (1x4 Kit)	S	26W (26 Watts) 30W (30 Watts) 36W (36 Watts) 44W (44 Watts)	2L (Two Ti)	F (Frosted)	30 (3000 Kelvin) 35 (3500 Kelvin) 40 (4000 Kelvin) 50 (5000 Kelvin)	

Alternate 1'x4' Ti Kit Options:



1L Output

What's Included:

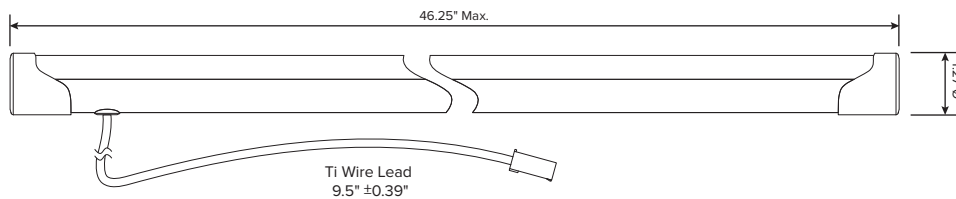
- (2) LED Ti Bars
- (1) LED Driver
- (4) Ti Clips with Rare Earth Magnets
- (8) Self Tapping Screws
- (1) UL1598C Certification Label

Options (Add as Suffix):

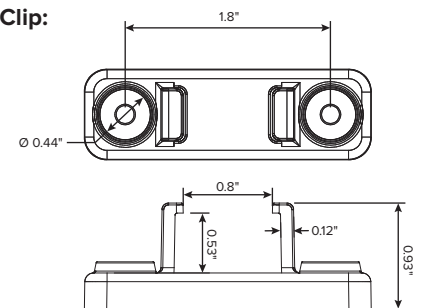
- ESL-EMG-4DC-9W (Emergency Back Up, DC, 9 Watt)

Dimensions:

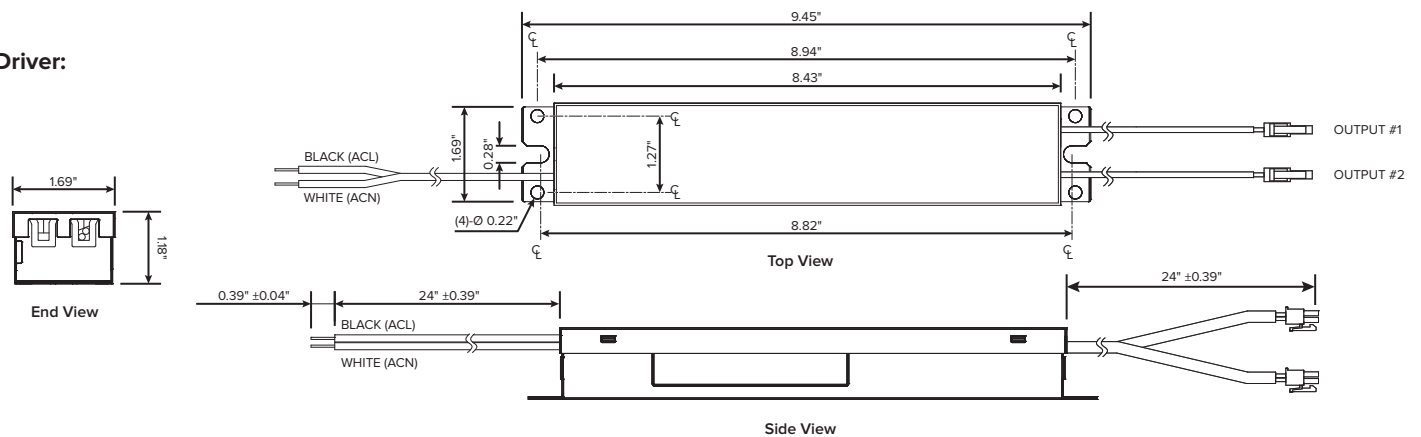
Ti:



Clip:



Driver:



2' x 2' Kits K22 SERIES

DUAL OUTPUT	PART NUMBER	WATTS	TROFFER (lm/W)*	TROFFER LUMENS*	LINEAR (lm/W)*	LINEAR LUMENS*
	ESL-Ti-K22-S-20W-2L-FXX	20	105	1,946	124	2,480
ESL-Ti-K22-S-26W-2L-FXX	26	105	2,562	122	3,172	
TRIPLE OUTPUT	PART NUMBER	WATTS	TROFFER (lm/W)*	TROFFER LUMENS*	LINEAR (lm/W)*	LINEAR LUMENS*
	ESL-Ti-K22-S-30W-3L-FXX	30	105	2,786	124	3,720
ESL-Ti-K22-S-39W-3L-FXX	39	105	3,843	123	4,797	
QUAD OUTPUT	PART NUMBER	WATTS	TROFFER (lm/W)*	TROFFER LUMENS*	LINEAR (lm/W)*	LINEAR LUMENS*
	ESL-Ti-K22-S-40W-4L-FXX	40	106	3,829	128	5,120
ESL-Ti-K22-S-52W-4L-FXX	52	108	5,332	126	6,552	

1' x 4' Kits K14 SERIES

SINGLE OUTPUT	PART NUMBER	WATTS	TROFFER (lm/W)*	TROFFER LUMENS*	LINEAR (lm/W)*	LINEAR LUMENS*
	ESL-Ti-K14-S-13W-1L-FXX	13	116	1,404	133	1,729
	ESL-Ti-K14-S-15W-1L-FXX	15	114	1,643	131	1,965
	ESL-Ti-K14-S-18W-1L-FXX	18	114	1,929	128	2,304
	ESL-Ti-K14-S-22W-1L-FXX	22	110	2,261	123	2,706
	ESL-TiHO-K14-S-30W-1L-FYY	30	101	2,886	119	3,570
DUAL OUTPUT	PART NUMBER	WATTS	TROFFER (lm/W)*	TROFFER LUMENS*	LINEAR (lm/W)*	LINEAR LUMENS*
	ESL-Ti-K14-S-26W-2L-FXX	26	108	2,635	132	3,432
	ESL-Ti-K14-S-30W-2L-FXX	30	104	3,157	128	3,840
	ESL-Ti-K14-S-36W-2L-FXX	36	104	3,656	126	4,536
	ESL-Ti-K14-S-44W-2L-FXX	44	100	4,310	124	5,456
	ESL-TiHO-K14-S-60W-2L-FYY	60	99	6,300	119	7,140

2' x 4' Kits K24 SERIES

DUAL OUTPUT	PART NUMBER	WATTS	TROFFER (lm/W)*	TROFFER LUMENS*	LINEAR (lm/W)*	LINEAR LUMENS*
	ESL-Ti-K24-S-26W-2L-FXX	26	116	2,848	132	3,432
	ESL-Ti-K24-S-30W-2L-FXX	30	120	3,348	128	3,840
	ESL-Ti-K24-S-36W-2L-FXX	36	116	3,759	126	4,536
	ESL-Ti-K24-S-44W-2L-FXX	44	109	4,757	124	5,456
	ESL-TiHO-K24-S-60W-2L-FYY	60	112	6,693	119	7,140
TRIPLE OUTPUT	PART NUMBER	WATTS	TROFFER (lm/W)*	TROFFER LUMENS*	LINEAR (lm/W)*	LINEAR LUMENS*
	ESL-Ti-K24-S-39W-3L-FXX	39	113	4,074	136	5,304
	ESL-Ti-K24-S-45W-3L-FXX	45	112	4,730	134	6,030
	ESL-Ti-K24-S-54W-3L-FXX	54	110	5,542	132	7,128
	ESL-Ti-K24-S-66W-3L-FXX	66	106	6,728	127	8,382
	ESL-TiHO-K24-S-90W-3L-FYY	90	104	9,366	119	10,710
QUAD OUTPUT	PART NUMBER	WATTS	TROFFER (lm/W)*	TROFFER LUMENS*	LINEAR (lm/W)*	LINEAR LUMENS*
	ESL-Ti-K24-S-52W-4L-FXX	52	117	5,406	135	7,020
	ESL-Ti-K24-S-60W-4L-FXX	60	112	6,721	133	7,980
	ESL-Ti-K24-S-72W-4L-FXX	72	111	7,675	131	9,432
	ESL-Ti-K24-S-88W-4L-FXX	88	109	9,224	126	11,088
	ESL-TiHO-K24-S-120W-4L-FYY	120	103	12,639	119	14,280

* At 5000K. See spec sheets for other kelvins
 XX = 30, 35, 40, or 50 for kelvin temperature
 YY = 40 or 50 for kelvin temperature

