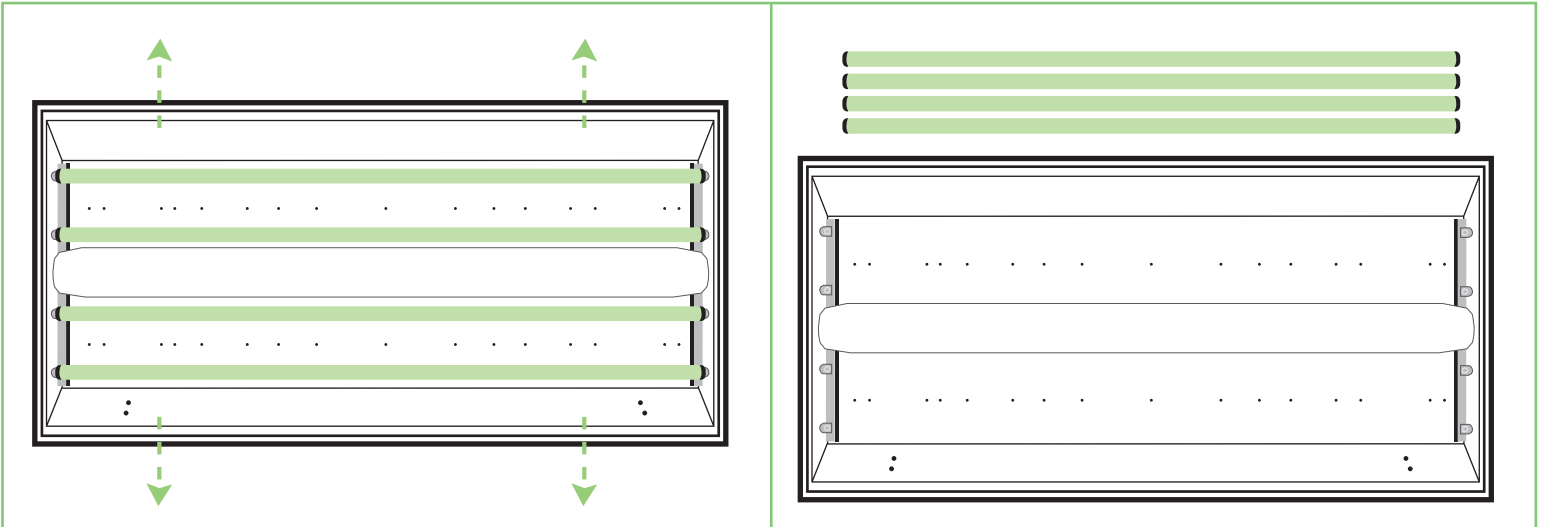
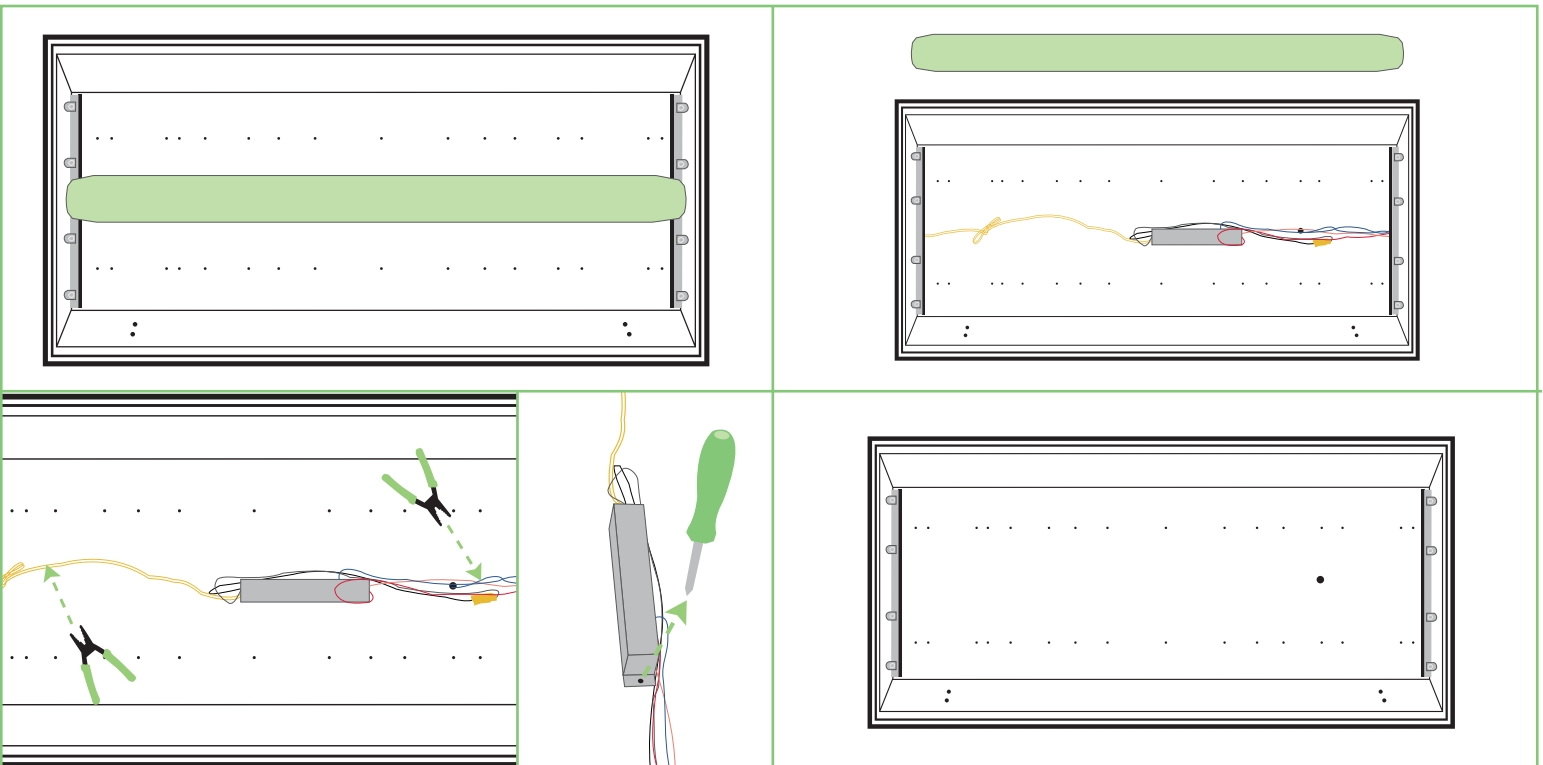


SAFETY PRECAUTIONS:

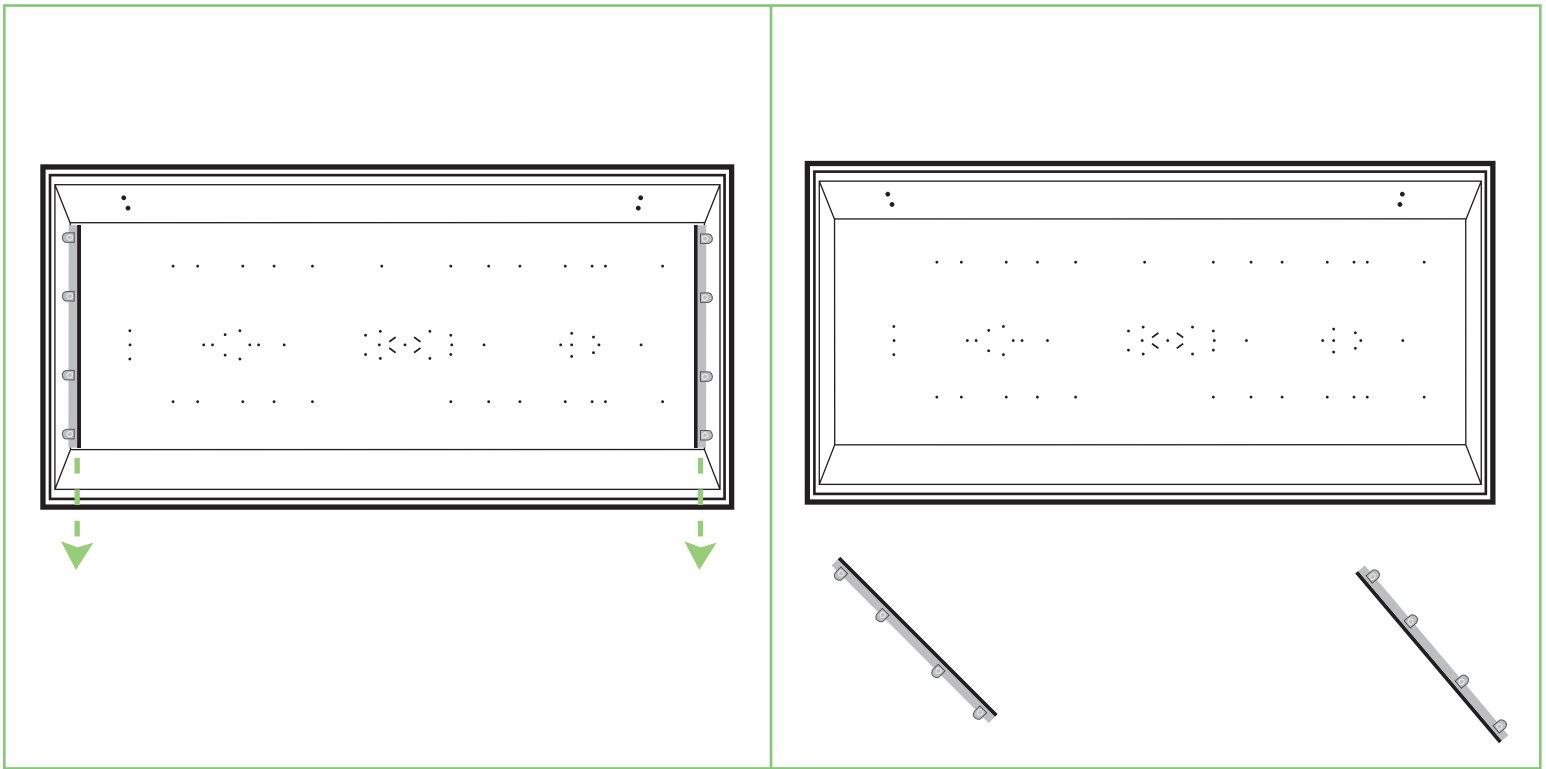
1. TURN OFF ELECTRICAL POWER BEFORE STARTING INSTALLATION OF LAMPS.
2. THIS PRODUCT MUST BE INSTALLED IN ACCORDANCE WITH THE APPLICABLE INSTALLATION CODE BY A PERSON FAMILIAR WITH THE CONSTRUCTION AND OPERATION OF THE PRODUCT AND THE HAZARDS INVOLVED.



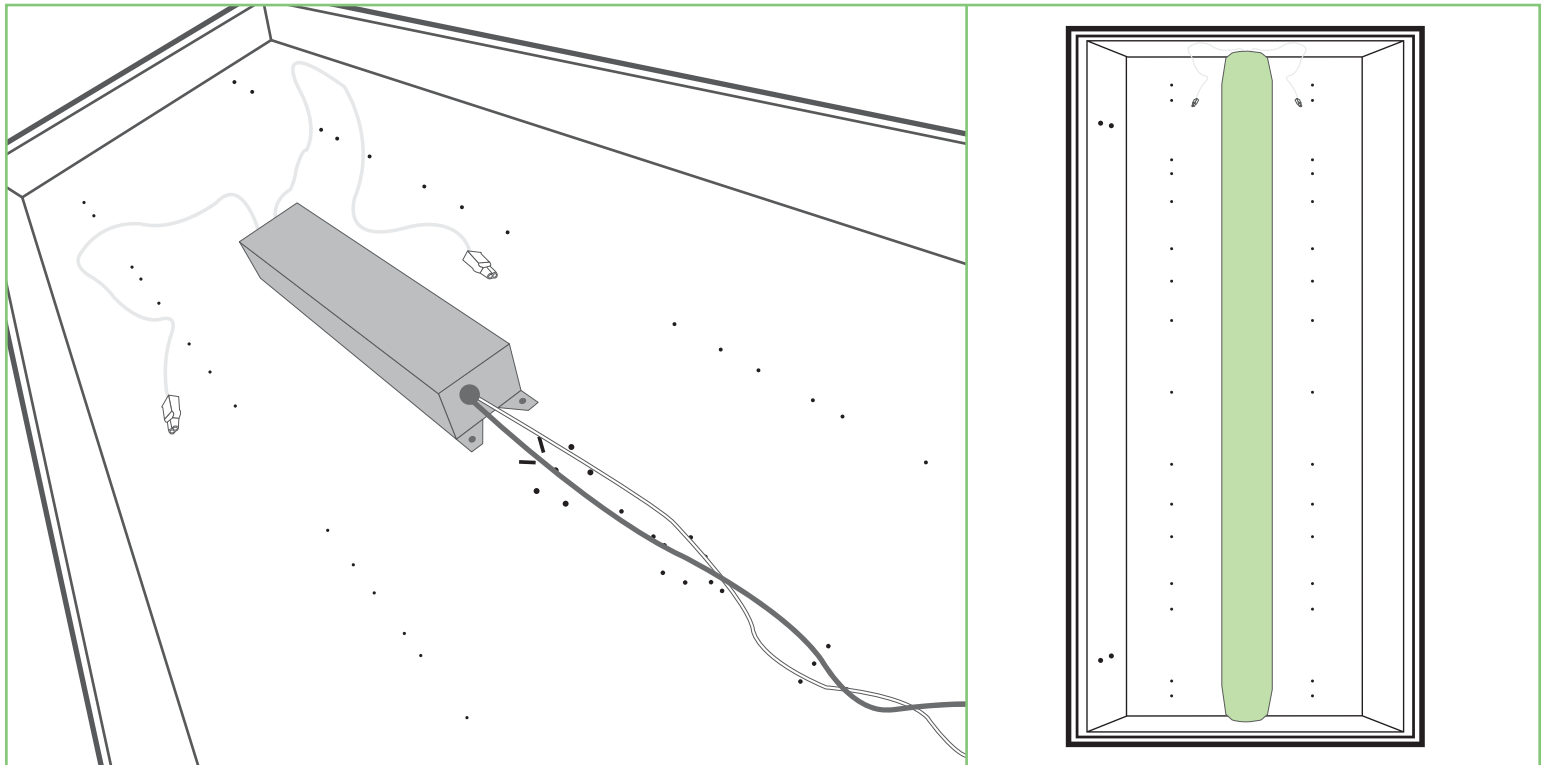
STEP 1: Remove existing fluorescent lamps. USE EXTREME CAUTION as lamps will be EXTREMELY hot.



STEP 2: Once the lamps are removed, remove the wiring compartment and disconnect the ballast.

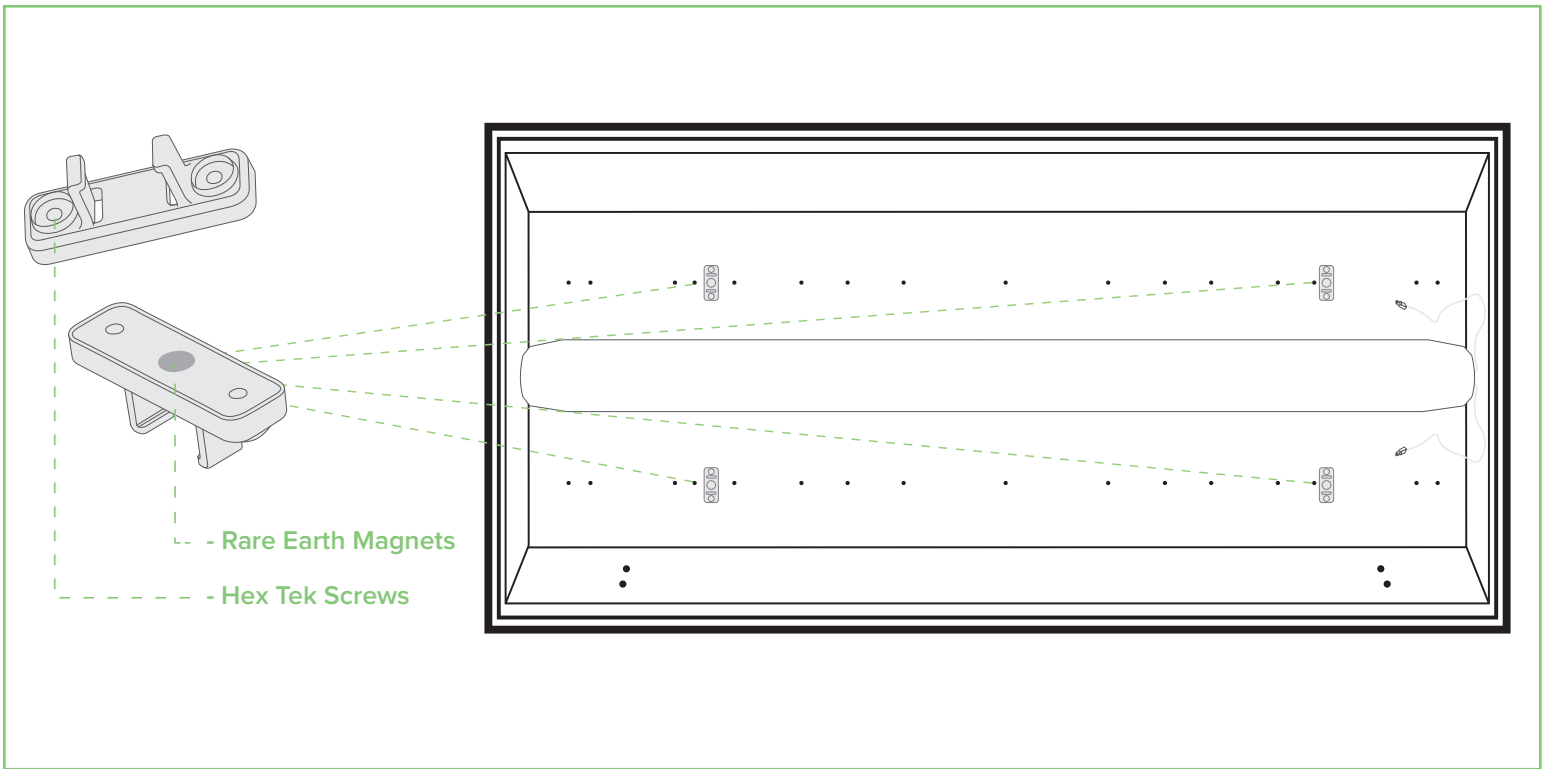


STEP 3: Remove the tombstones from each end of fixture.

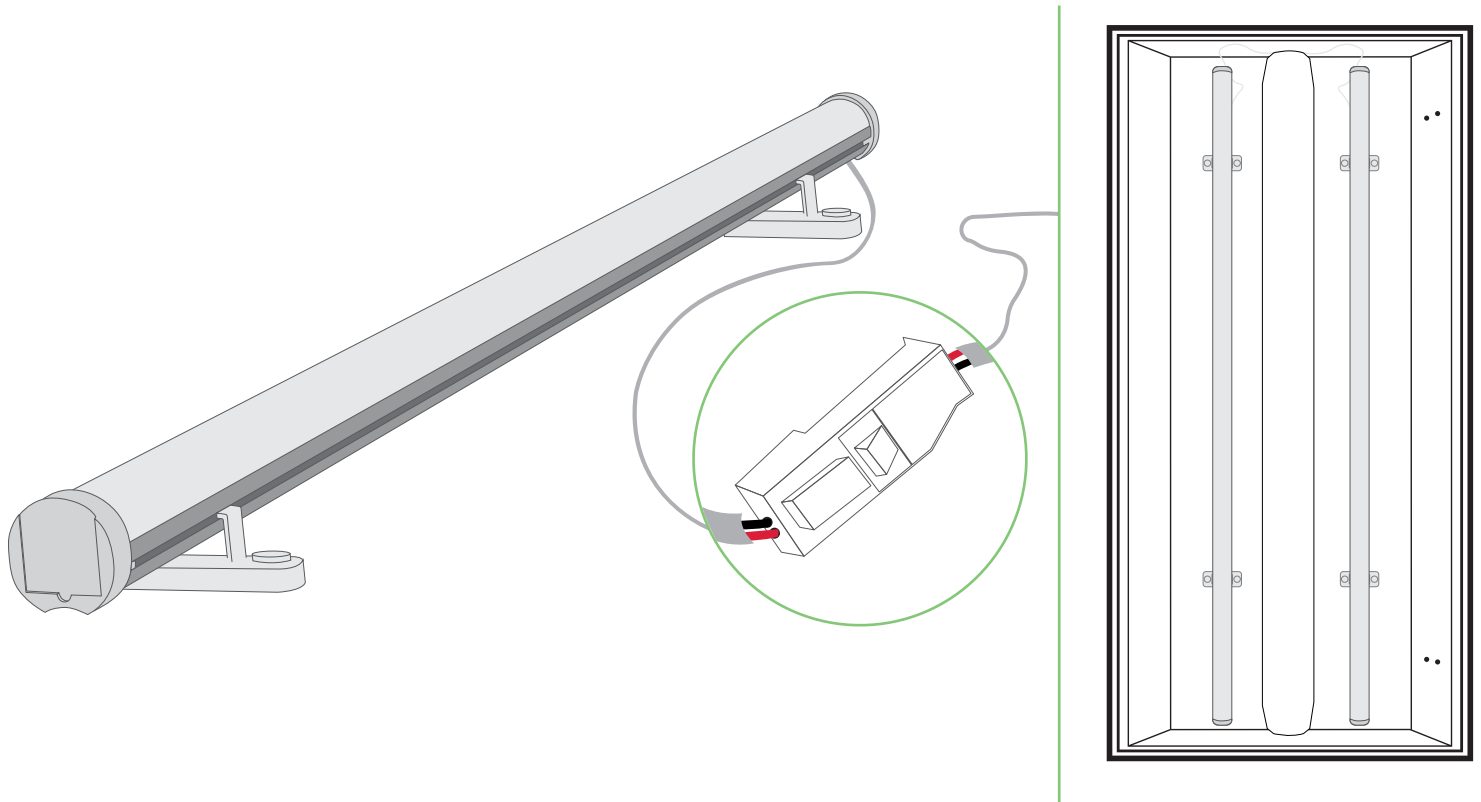


STEP 4: Once the ballast is removed replace it with the ESL Vision Quick Connect Driver. The driver is designed to fit in the same location as the previous ballast. Pull the DC lines to the end of the wire compartment. Replace the ballast cover.





STEP 5: Place Ti Clips into position. Ti Clips have strong magnets on the back. This allows the clips to be repositionable for perfect easy and perfect placement. Once the clips are in the desired position, screw them into the fixture using the provided Hex Tek Screw.

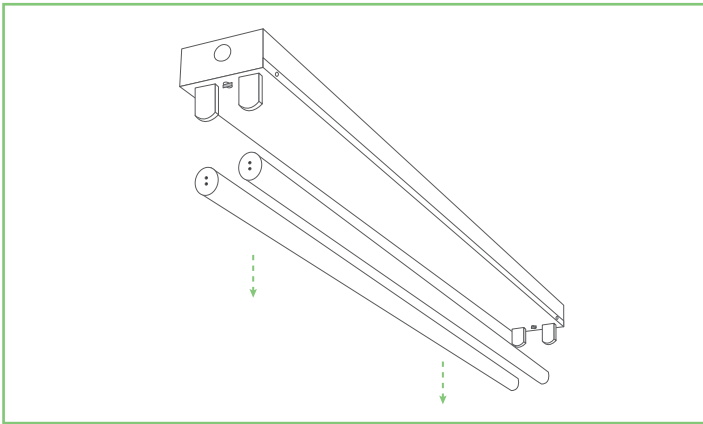


STEP 6: Clip Ti Tube into Ti Clips, connect the Quick Connects and push the wires back into the wire compartment.



WARNING

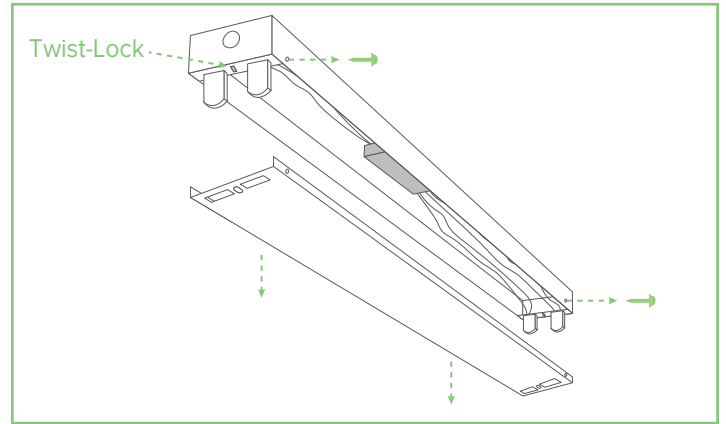
1. To avoid electric shock, disconnect power at source prior to installation.
2. The installation should be performed by qualified electricians or lighting technicians.
3. Before conducting any installation, maintenance, or removal, disable all power to the luminaries and wait until the fixture cools down.
4. Do not touch the fixture while it is in service.
5. If there is any problem with the fixture, turn off power and DO NOT attempt repair unless you are a qualified electrician.



STEP 1:

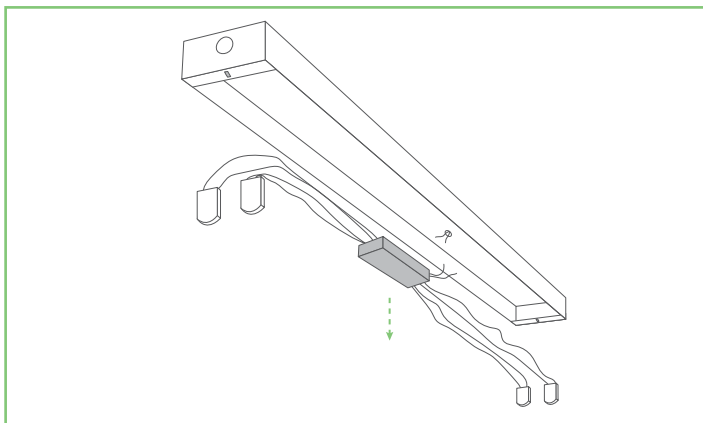
Remove existing fluorescent lamps.

USE EXTREME CAUTION as lamps will be EXTREMELY hot.



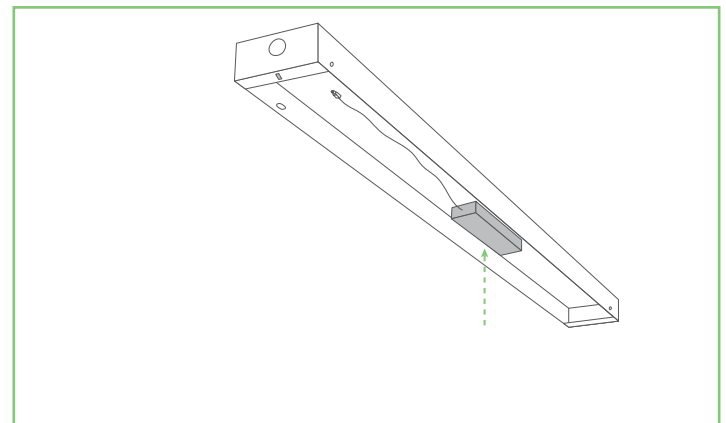
STEP 2:

Remove existing strip fixture plate.



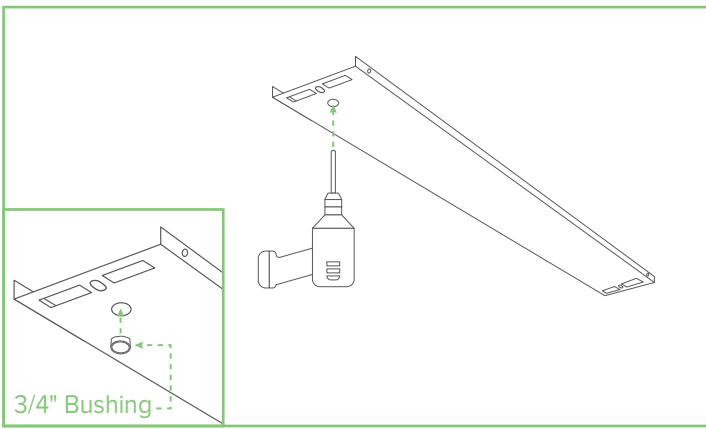
STEP 3:

Disconnect old ballast from AC and remove the ballast and tombstones.



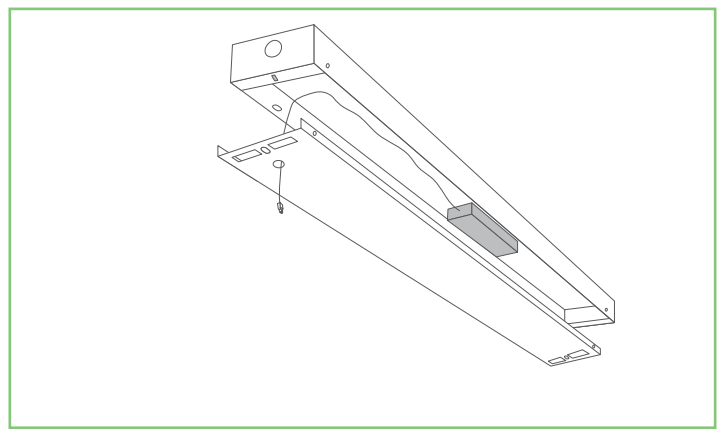
STEP 4:

Place driver in location of ballast.



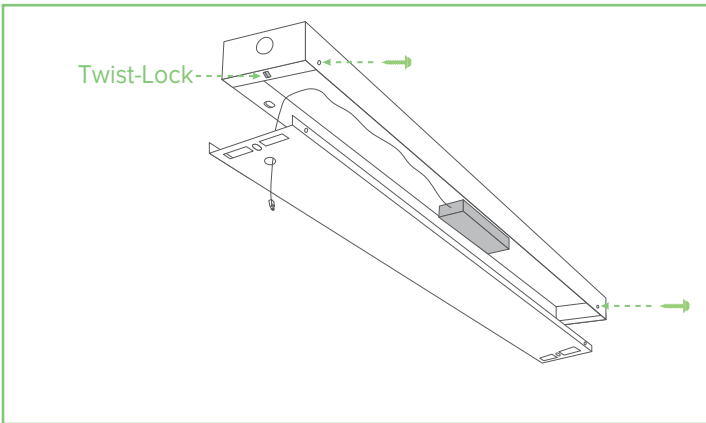
STEP 5:

Drill a 3/4 inch hole in the fixture close to where the tombstones were. Place bushing in 3/4" hole.



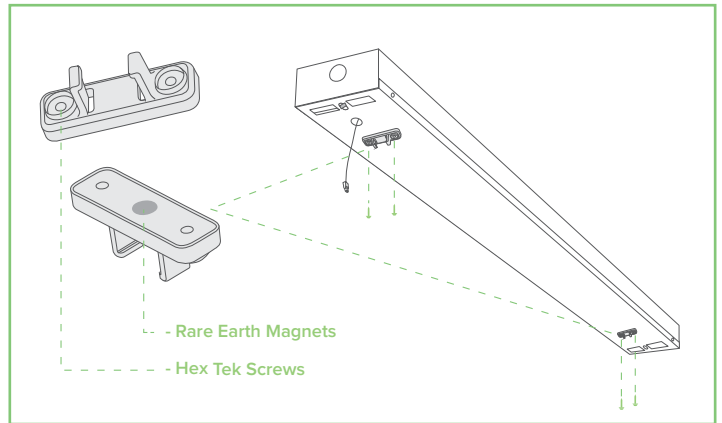
STEP 6:

Pull driver Quick-Connect line out of hole.



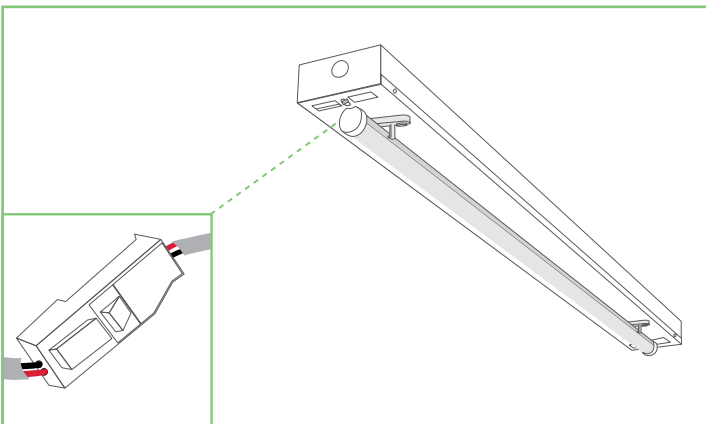
STEP 7:

Secure the fixture plate back to the fixture using the Twist-Lock, or Hex-Tek Screws.



STEP 8:

Secure the Ti clips to the fixture. These clips have magnets for easy placement.



STEP 9:

Connect the Ti bar quick connect to the driver quick connect and push remaining slack into fixture. Connect the Ti bars to the clips and enjoy

