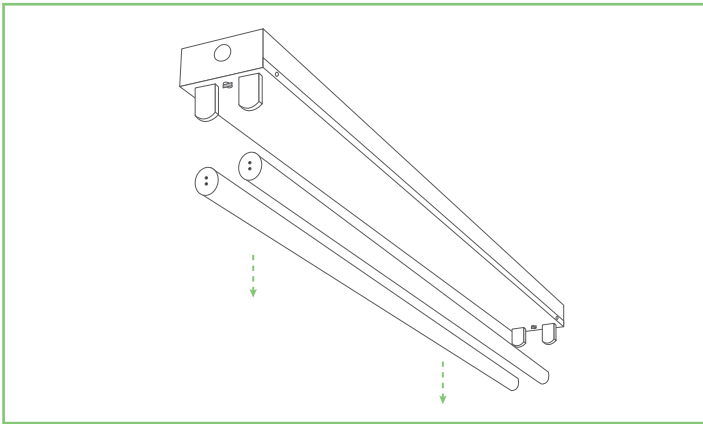


WARNING

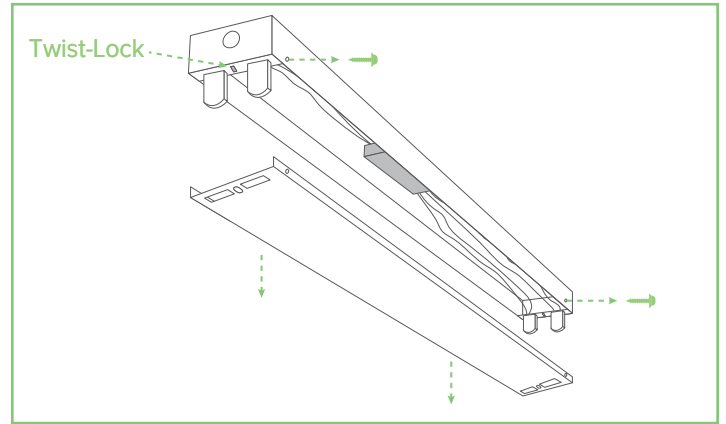
1. To avoid electric shock, disconnect power at source prior to installation.
2. The installation should be performed by qualified electricians or lighting technicians.
3. Before conducting any installation, maintenance, or removal, disable all power to the luminaries and wait until the fixture cools down.
4. Do not touch the fixture while it is in service.
5. If there is any problem with the fixture, turn off power and **DO NOT** attempt repair unless you are a qualified electrician.



STEP 1:

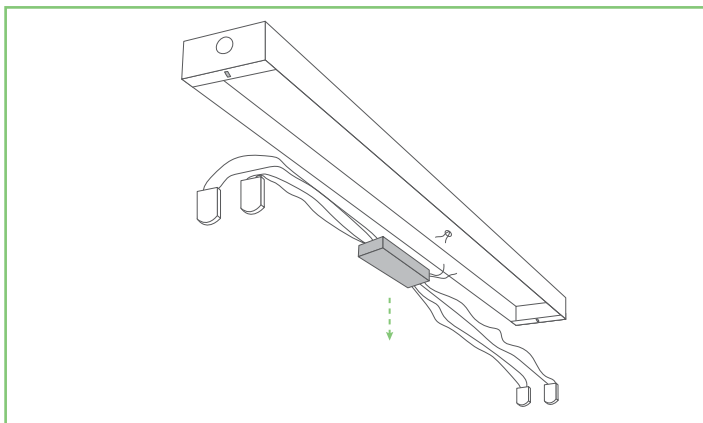
Remove existing fluorescent lamps.

USE EXTREME CAUTION as lamps will be EXTREMELY hot.



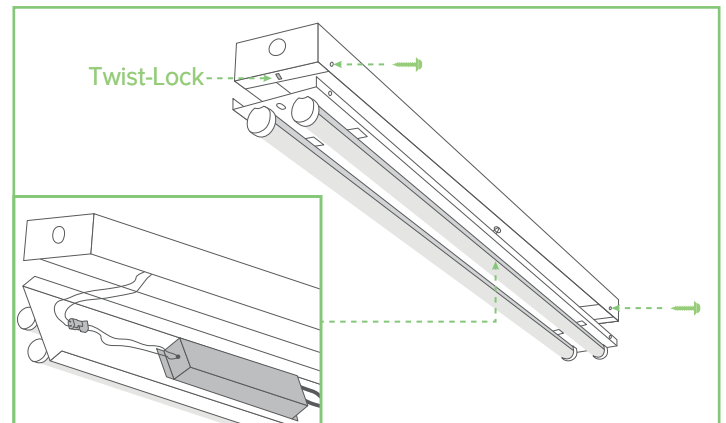
STEP 2:

Remove existing strip fixture plate.



STEP 3:

Disconnect old ballast from AC and remove the ballast and tombstones.



STEP 4:

To install ESL Vision's Ti SRK Plate Kit connect the ESL Driver to the existing AC lines. AC lines coming from the ESL Driver will come equipped with WAGO® connectors for quick and easy wiring. Attach the Ti SRK Plate Kit to the fixture body with 4 hex tek screw and/or twist-locks.