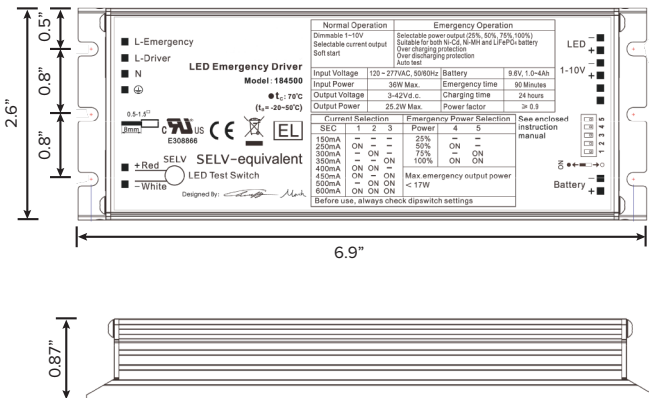


Key Features & Benefits:

- For Normal Operation and Emergency Operation
- Constant Current, Multi-current Selectable Output
- Normal Mode Led Soft Start, Emergency Mode Conversion Within 0.3 Seconds
- 1-10v Dimmable, Dali Dimmable
- Emergency Mode Options of 25%, 50%, 75%, 100% Output of Normal Mode
- Auto Test
- Slim Aluminium Housing
- Suitable for Indoor, Dry and Damp Applications

The current can be configured by choosing the correct combination of the DIP switches.

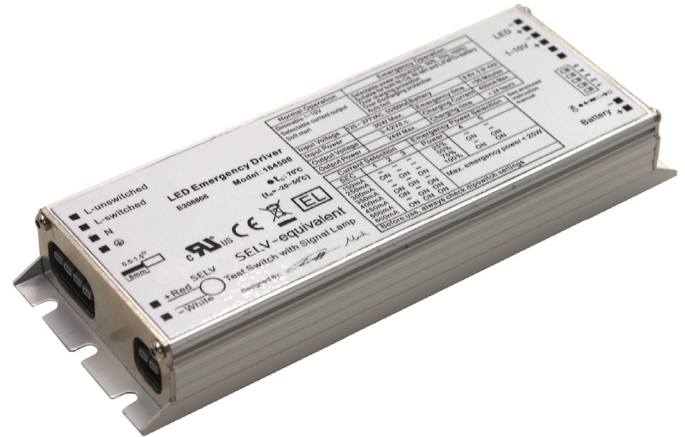
	1	2	3	Current
I	<input type="radio"/>	<input type="radio"/>	<input type="radio"/>	150mA
II	<input checked="" type="radio"/>	<input type="radio"/>	<input type="radio"/>	250mA
III	<input type="radio"/>	<input checked="" type="radio"/>	<input type="radio"/>	300mA
IV	<input type="radio"/>	<input type="radio"/>	<input checked="" type="radio"/>	350mA
V	<input checked="" type="radio"/>	<input checked="" type="radio"/>	<input type="radio"/>	400mA
VI	<input checked="" type="radio"/>	<input type="radio"/>	<input checked="" type="radio"/>	450mA
VII	<input type="radio"/>	<input checked="" type="radio"/>	<input checked="" type="radio"/>	500mA
VIII	<input checked="" type="radio"/>	<input checked="" type="radio"/>	<input checked="" type="radio"/>	600mA



Project: _____ Date: _____

Catalog #: _____

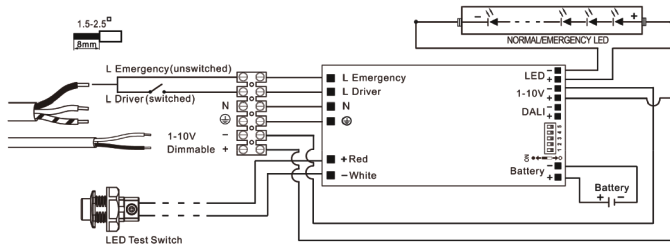
Notes: _____



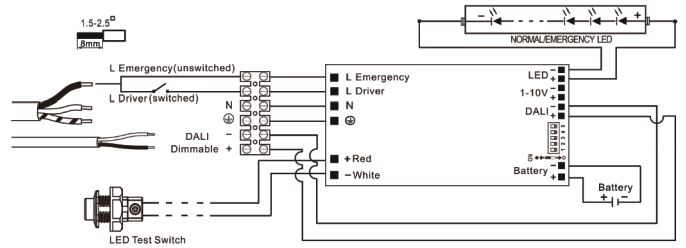
Technical Specifications:

- Operating Voltage: 120-277 VAC, 50/60Hz
- Rated Current: 0.3A (Max)
- Rated Power: 36W (Max)
- Emergency Output Power: <17W
- Output Voltage: 3~42VDC
- Operating Frequency: 320kHz>F>50kHz
- Power Factor: >0.9
- Battery: 1.0-4Ah, 9.6V Ni-Cd/Ni-MH/LiFePO
- Charging Time: 24 Hours
- Discharge Time: >90 Minutes
- Charging Current: 0.18A (Max)
- Life Time: 5 Years
- Charging Cycles: >500
- Operating Temperature: Ta: -20~50°C, Tc: 70°C
- Output Current: 150mA, 250mA, 330mA, 350mA, 400mA, 450mA, 500mA, 600mA
- Efficiency: 80%
- Abnormal Protection: Over load, Inrush Current Limiting, Temperature, Open Circuit, Short-Circuit, Protection with Auto-Reset
- Wire: 1.5~2.5mm²

For 1-10V Dimmable:



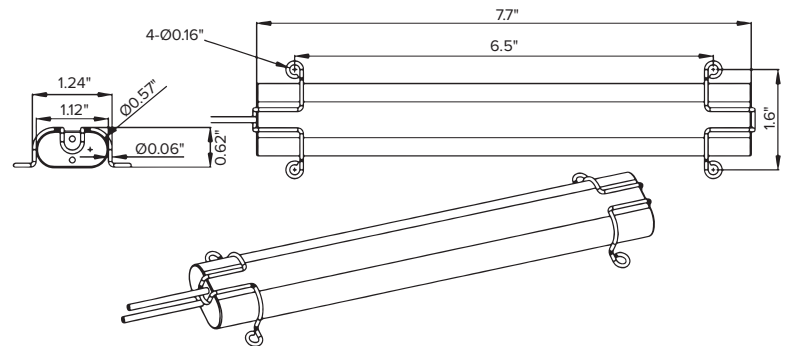
For DALI Dimmable:



Battery Specifications:

Current(mA)	Emergency power rate			
	25%	50%	75%	100%
	9.6V battery(Ah)	9.6V battery(Ah)	9.6V battery(Ah)	9.6V battery(Ah)
150	1.00	1.00	1.00	1.50
250	1.00	1.50	2.00	3.00
300	1.00	1.50	2.00	3.00
350	1.00	2.00	3.00	3.00
400	1.00	2.00	3.00	4.00
450	1.00	2.00	3.00	4.00
500	1.00(<5W)	3.00	4.00	4.00
600	1.00(<5W)	3.00	4.00	4.00

UL approved batteries: 1.00Ah Ni-Cd AA, 1.50Ah Ni-Cd SC, 2.00Ah Ni-Cd SC, 4.00Ah Ni-Cd D



LED Test Switch:

