

Key Features & Benefits:

- High Temperature, Nickel - Cadmium Battery for Long Life
- 13-60VDC for Wide Range of LED Loads
- RoHS Compliant
- UL 924 and Tested to CSA C.22.2 No. 141-15 Emergency Lighting Compliant
- Meets CEC Title 20 (California Energy Commission) Efficiency Standards
- Test Switch Indicator: 2W - ITS (2-Wire Illumination Test Switch)

Project: _____

Date: _____

Catalog #: _____

Notes: _____



Technical Specifications:

ESL-EMG-2DC-xxW*		5 Watts†	9 Watts	15 Watts†	25 Watts†
Input	Rated Current	0.05A (Max)	0.06A (Max)	0.07A (Max)	0.1A (Max)
	Rated Power	3.5 Watts (Max)	4 Watts (Max)	5.5 Watts (Max)	7 Watts (Max)
	Rated Voltage	100 - 277 VAC, 50 - 60Hz			
Output	Emergency Output Power	5 Watts	9 Watts	15 Watts	25 Watts
	Output Voltage	13~60VDC	14~60VDC	15~60VDC	25~60VDC
	Output Current	1A (Max)			
	Output Current of AC Driver	5A (Max)			
	Operation Frequency	320kHz ≥ f ≥ 50kHz			
Emergency	Emergency Operation	≥90 Minutes			
	Charging Time	24 Hours			
	Charging Current	0.08A	0.11A	0.19A	0.23A
	Power Factor	≥0.50			
Environment	Operating Temperature	32°F - 122°F 0°C - 50°C			
	Case Tc	Max. 158°F (70°C)			
	Weight	0.37 lbs (without battery)			

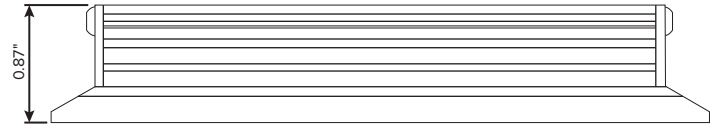
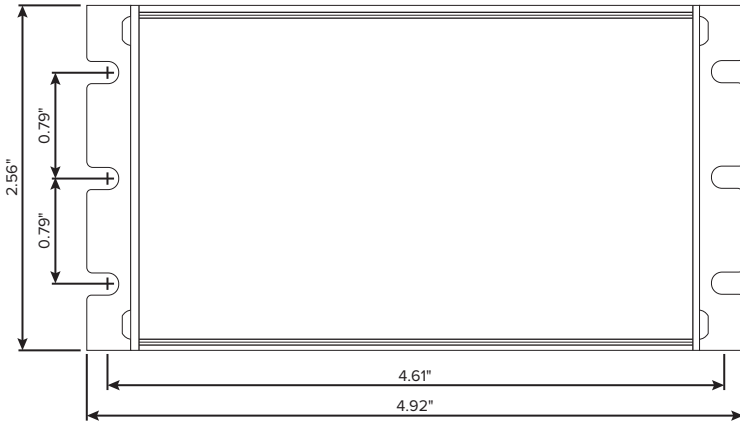
* XX = Output Power (5, 9, 15 or 25 Watts)

† These products are not stocked. Contact factory for lead times.

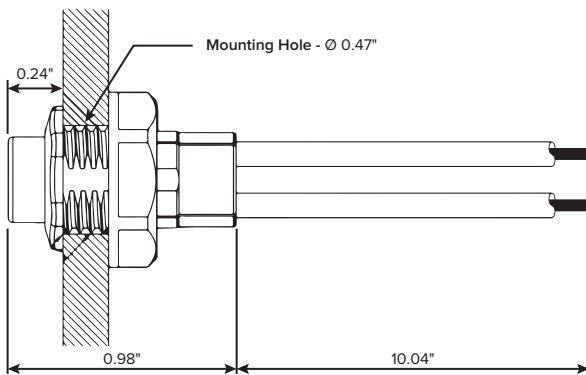


Dimensions:

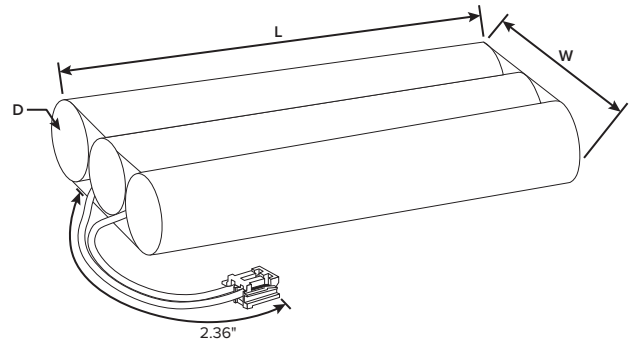
EMG-2DC:



Test Switch:



Battery Pack:



BATTERY PACK	L	W	D
9.6V, 1500mAh	3.94" ±0.08"	2.24" ±0.08"	Ø 0.55" ±0.04"
10.8V, 2100mAh	5.91" ±0.06"	2.01" ±0.06"	Ø 0.67" ±0.04"
10.8V, 3800mAh	8.39" ±0.12"	2.22" ±0.04"	Ø 0.74" ±0.02"
14.4V, 4500mAh	7.72" ±0.12"	3.01" ±0.06"	Ø 1.02"

Typical Wiring Diagram:

