

CL - 120W

The **ESL Vision LED CL Series** provides a direct replacement for omnidirectional HID, and CFL fixtures. Our superior lamps have a higher efficacy at lower cost and without the need for fans. This lamp is ideal for almost any high lumen output single lamp retrofit.



Features

- 120-277 VAC
- IP64 Rated
- Omnidirectional
- Suitable for Enclosed Fixtures



No Fans



No Noise



No Bugs



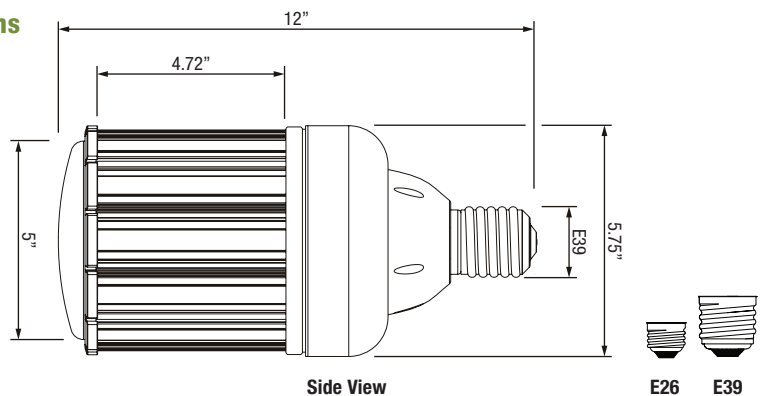
Technical Data

Lamp Specifications

Wattage: 120
Lumen Output: Up to 15,000
Efficacy (lm/W): Up to 125
Correlated Color Temperature (CCT): 3000K, 4000K, 5000K
Color Rendering Index (CRI): >80
Input Voltage: 120 - 277 VAC
Rated Life (hrs): 40,000
Beam Angle: 275°
Dimensions (Ø X H): 5.75" x 12"
Weight (lbs): 3.8

| Catalog # | Watts | Total Lumens | Efficacy (lm/W) | CRI | CCT |
|------------------|-------|--------------|-----------------|-----|-------|
| ESL-CL-120W-230M | 120 | 13540 | 113 | >80 | 3000K |
| ESL-CL-120W-240M | 120 | 14250 | 119 | >80 | 4000K |
| ESL-CL-120W-250M | 120 | 15000 | 125 | >80 | 5000K |

Dimensions



Ordering Guide

Example Part Number: **ESL-CL-120W-230M**

| | | | | | | | | |
|-----|---|---------|---|------------------|---|------------------|--|---------|
| ESL | - | CL | - | 120W | - | 2 | | |
| ESL | - | CL | - | Watts | - | Generation | Color | Base |
| | | CL (CL) | | 120W (120 Watts) | | 2 (Generation 2) | 30 (3000 Kelvin) 40 (4000 Kelvin) 50 (5000 Kelvin) | M (E39) |