

Key Features & Benefits:

- Smallest Form Factor in Mogul-Base Category
 - 15% smaller than our previous generations
- Integrated 4kA/4kV Surge Protection
- Step-Down Thermal Management Protection
 - Wattage step-down circuit automatically prevents overheating due to high increases in ambient temperatures. Wattage returns to normal as temperatures decrease.
- Omnidirectional
- Rated for Fully Enclosed Fixtures
- Wet Location Approved
- Special Adaptor Transforms Base from E26 to E39
- Direct Retrofit for HID & CFL Fixtures - For use in:
 - Low Bays
 - Flood Lights
 - Wall Packs
 - Post Tops
 - And More!



Project: _____ Date: _____

Catalog #: _____

Notes: _____



Technical Specifications:

Power: 12 Watts
 Lamp Lumen Output: Up to 1,488 Lumens
 Lamp Efficacy (lm/W): Up to 124 Lumens per Watt
 Fixture Lumen Output: Up to 1,372 Lumens
 Fixture Efficacy (lm/W): Up to 123 Lumens per Watt
 Kelvin: 3000K, 4000K, 5000K
 CRI: >80
 Input Voltage: 120-277 VAC
 Life Span: 50,000 Hours
 Beam Angle: 300°
 Base Types:
 - S-M (E26 with E39 adaptor)
 - EX39
 Operating Temperature: -4 ~ 149°F (-20 ~ 65°C)
 Power Factor: >0.95
 Total Harmonic Distortion (THD): < 20%



No Fans



No Noise



No Bugs

ITEM#	WATTS	LAMP LUMEN OUTPUT	LAMP EFFICACY (lm/W)	FIXTURE LUMEN OUTPUT	FIXTURE EFFICACY (lm/W)	KELVIN
ESL-CL-12W-430S-M	12W	1,452	121	1,247	116	3000K
ESL-CL-12W-440S-M	12W	1,464	122	1,310	120	4000K
ESL-CL-12W-450S-M	12W	1,488	124	1,372	123	5000K

ITEM#	WATTS	LAMP LUMEN OUTPUT	LAMP EFFICACY (lm/W)	FIXTURE LUMEN OUTPUT	FIXTURE EFFICACY (lm/W)	KELVIN	DLC QPL CODE
ESL-CL-12W-430EX39	12W	1,452	121	1,247	116	3000K	PX8XXW50
ESL-CL-12W-440EX39	12W	1,464	122	1,310	120	4000K	PO6BGQRF
ESL-CL-12W-450EX39	12W	1,488	124	1,372	123	5000K	PMCEIAXC



LED CL SERIES

Technical Specifications

Ordering Guide:

Example Part Number: **ESL-CL-12W-430EX39**

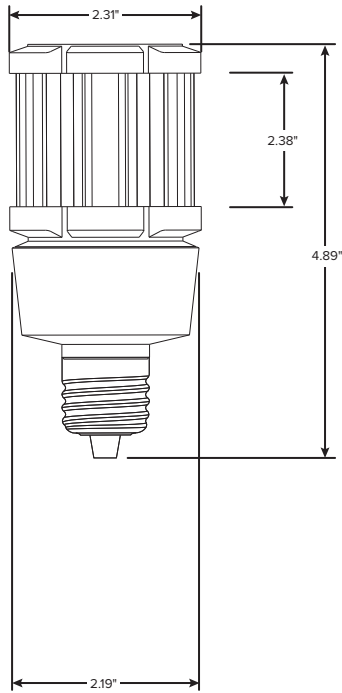
ESL	-	CL	-	12W	-	4	-		-	
ESL		TYPE		WATTS		GENERATION		KELVIN		BASE
		CL		12W (12 Watts)		4 (4th Generation)		30 (3000K) 40 (4000K) 50 (5000K)		S-M (E26/E39) EX39 (EX39)

Options (Add as Suffix):

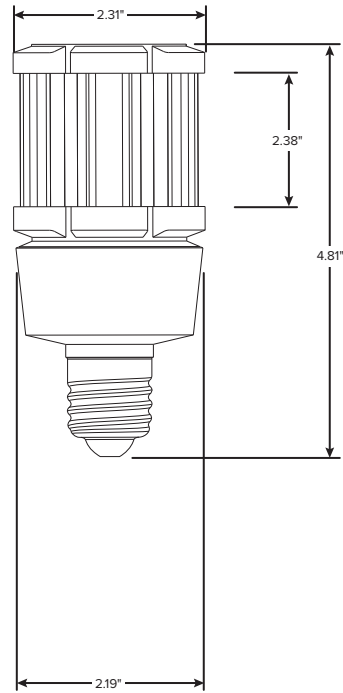
ESL-SP-277-1

Hard Wire Surge Protector; (100-277 VAC) Max Discharge Current: 20kA

Dimensions:



EX39 BASE



EX26 BASE

