



# HIGH OUTPUT FLOOD LIGHT SERIES

## OUTDOOR FIXTURE





## RUGGED CONSTRUCTION

- Cast Aluminum Housing
- Weathertight Seal with Continuous Gasket
- Dark Bronze Polyester Powder Coat Finish
- IK08 Impact-Resistant Rated



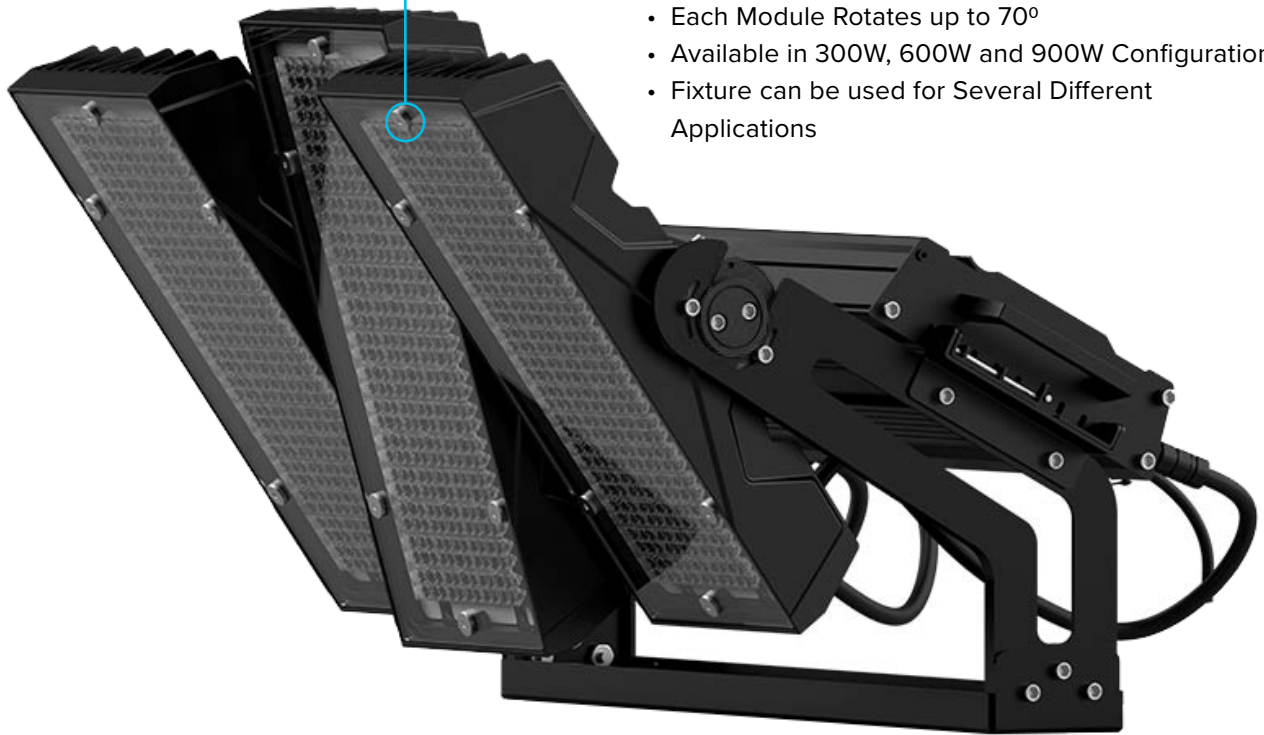
## OPTICS

- Impact Resistant, UV Stabilized Polycarbonate Lens
- Molded Prismatic Design for Uniform Coverage
- Four Beam Angles Available
- Available in 4000K and 5000K
- Up to 117,000 Lumen Output
- 0-10v Dimmable

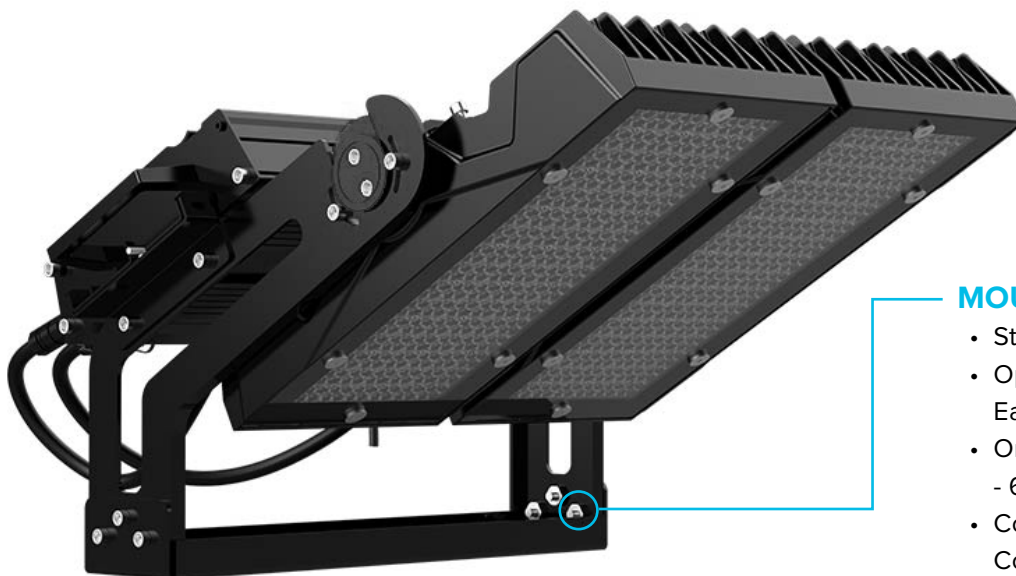


**MODULAR DESIGN**

- Adjustable Lighting Angles for Precise Coverage
- Each Module Rotates up to 70°
- Available in 300W, 600W and 900W Configurations
- Fixture can be used for Several Different Applications

**PROTECTION FROM ELEMENTS**

- IP66 and NEMA 4X Rated for Outdoor Use
- Radiating Fins Improve Airflow and Prevent Water Accumulation
- Each Module Equipped with Respirator to Prevent Water Ingress
- Redundant Internal 10kA Surge Protective Device

**MOUNTING & CONNECTION**

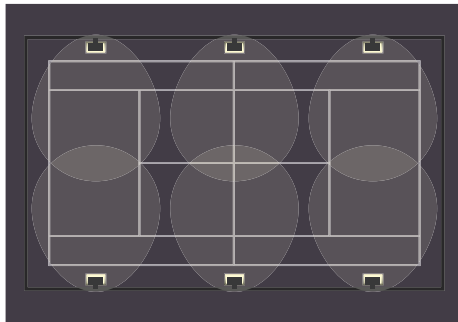
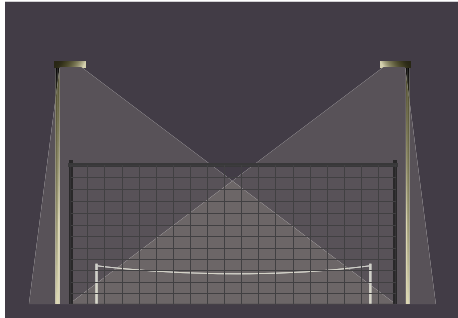
- Standard Mounting Compatible
- Optional Remote Driver Mounting for Easier Access
- Only One Tool Required for Installation - 6mm Hexagonal Screwdriver
- Compatible with Networked Lighting Control Qualified Systems

## PRODUCT DETAILS

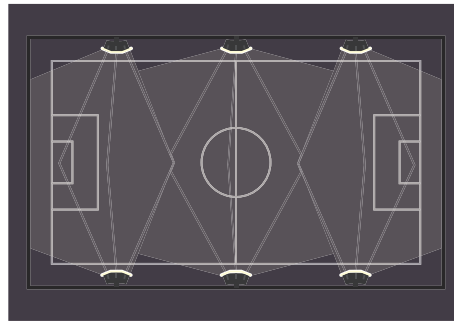
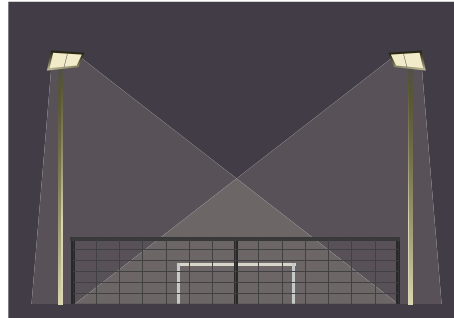
### EFFICIENT LIGHT DISTRIBUTION

Big areas need big light. Older high-wattage lighting demands high energy usage, but ESL Vision's High Output Flood Light series shines bright more efficiently, and at the appropriate levels thanks to the 300W, 600W and 900W options. All this flexibility makes the High Output Flood Light Series the perfect solution for numerous uses.

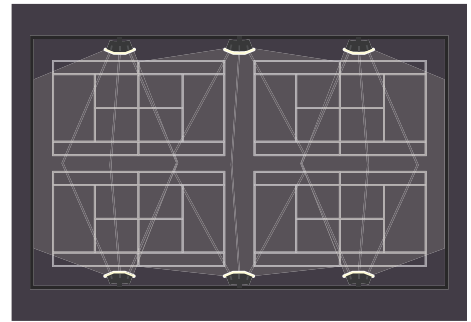
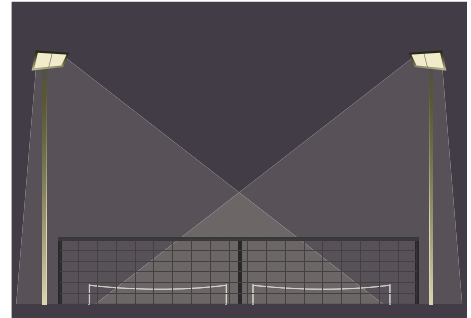
TENNIS COURT



FOOTBALL/SOCCER FIELD



TENNIS COMPLEX



### BEAM ANGLES & GLARE REDUCTION

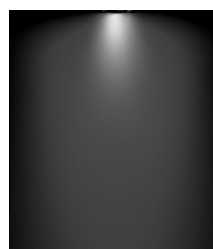
Regardless of the area size, the flexibility of the modular design coupled with the four available beam angle options means the right amount of light shines on the right areas. Delivering up to 117,000 lumens also means both active participants and spectators won't miss a thing.

With the ability to rotate on its vertical axis up to 70°, the High Output Flood Light series can be precisely positioned to reduce glare and light spillage. Reducing glare provides a more pleasant spectator experience and contributes to a safer environment in commercial and industrial applications.

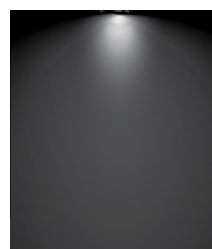
L33 - 3HX3V



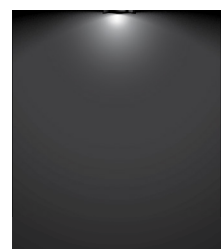
L44 - 4HX4V



L55 - 5HX5V



L67 - 6HX7V



## APPLICATIONS

The High Output Flood Light is designed for any big area that needs big light. From sports venues to industrial applications, and from airports to truck yards, any large project will benefit from the efficiency and quality of ESL Vision's LED lighting.



**SPORTS VENUES**



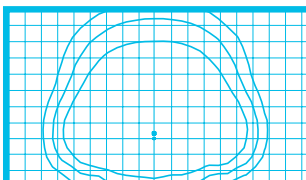
**INDUSTRIAL AREAS**



**PARKING LOTS / YARDS**



**AIRPORTS**

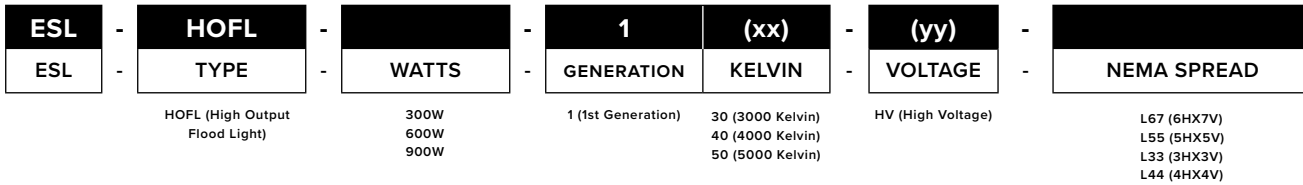


**FREE  
LIGHTING  
LAYOUT  
DESIGN**

Let our lighting design engineers help create custom lighting layouts and recommendations for your project **FREE OF CHARGE**.

## ORDERING GUIDE

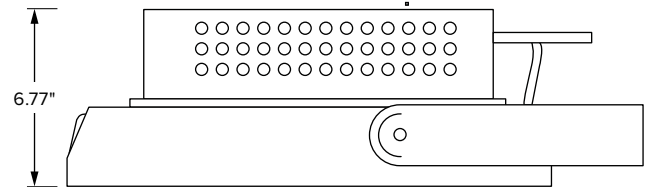
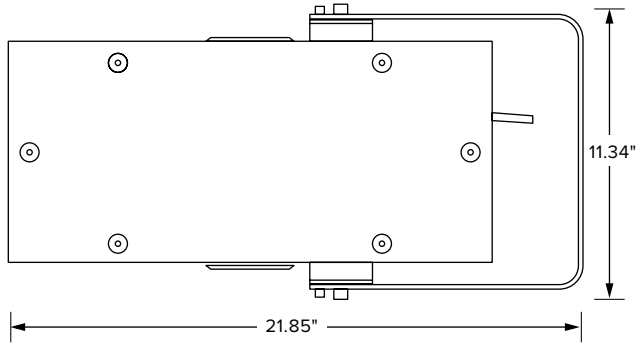
Example Part Number: **ESL-HOFL-300W-140-HV-L67**



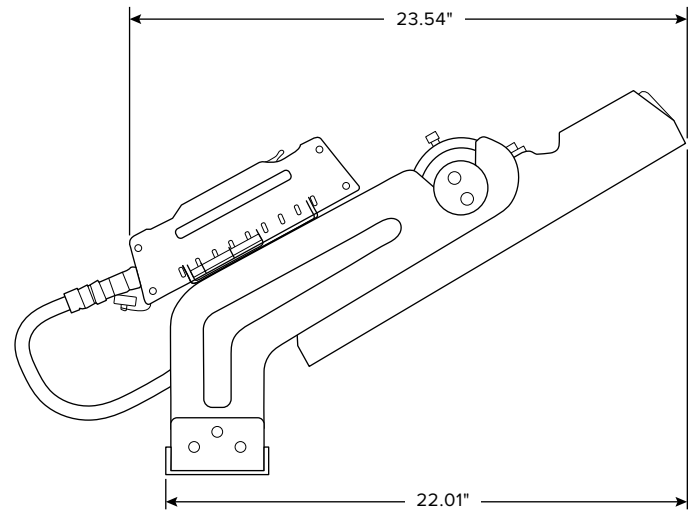
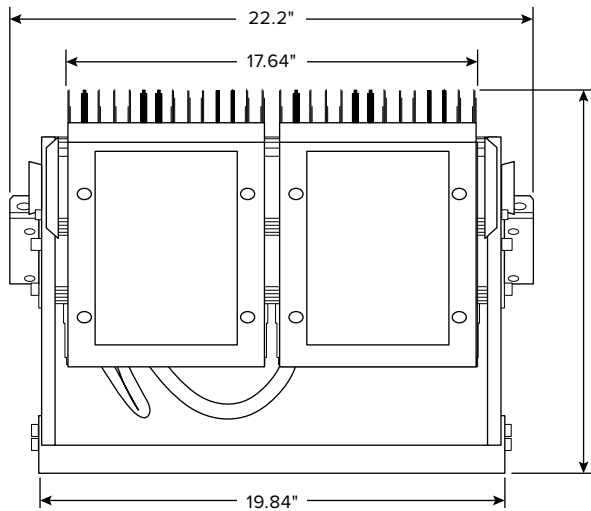
	PRODUCTS	MAX lm/W	MAX LUMENS	AVAILABLE KELVIN (xx)	AVAILABLE VOLTAGE (yy)	NEMA SPREAD
<b>300 WATT</b>	ESL-HOFL-300W-1xx-yy-L67	120	38,455	3000K (30) 4000K (40) 5000K (50)	100-277V (Leave Blank) 277-480V (HV)	<b>L67</b> 6HX7V
	ESL-HOFL-300W-1xx-yy-L55	124	39,590	3000K (30) 4000K (40) 5000K (50)	100-277V (Leave Blank) 277-480V (HV)	<b>L55</b> 5HX5V
	ESL-HOFL-300W-1xx-yy-L33	131	41,940	3000K (30) 4000K (40) 5000K (50)	100-277V (Leave Blank) 277-480V (HV)	<b>L33</b> 3HX3V
	ESL-HOFL-300W-1xx-yy-L44	127	40,720	3000K (30) 4000K (40) 5000K (50)	100-277V (Leave Blank) 277-480V (HV)	<b>L44</b> 4HX4V
<b>600 WATT</b>	ESL-HOFL-600W-1xx-yy-L67	117	72,860	3000K (30) 4000K (40) 5000K (50)	100-277V (Leave Blank) 277-480V (HV)	<b>L67</b> 6HX7V
	ESL-HOFL-600W-1xx-yy-L55	121	75,005	3000K (30) 4000K (40) 5000K (50)	100-277V (Leave Blank) 277-480V (HV)	<b>L55</b> 5HX5V
	ESL-HOFL-600W-1xx-yy-L33	128	79,455	3000K (30) 4000K (40) 5000K (50)	100-277V (Leave Blank) 277-480V (HV)	<b>L33</b> 3HX3V
	ESL-HOFL-600W-1xx-yy-L44	124	77,150	3000K (30) 4000K (40) 5000K (50)	100-277V (Leave Blank) 277-480V (HV)	<b>L44</b> 4HX4V
<b>900 WATT</b>	ESL-HOFL-900W-1xx-yy-L67	118	107,365	3000K (30) 4000K (40) 5000K (50)	100-277V (Leave Blank) 277-480V (HV)	<b>L67</b> 6HX7V
	ESL-HOFL-900W-1xx-yy-L55	122	110,525	3000K (30) 4000K (40) 5000K (50)	100-277V (Leave Blank) 277-480V (HV)	<b>L55</b> 5HX5V
	ESL-HOFL-900W-1xx-yy-L33	129	117,080	3000K (30) 4000K (40) 5000K (50)	100-277V (Leave Blank) 277-480V (HV)	<b>L33</b> 3HX3V
	ESL-HOFL-900W-1xx-yy-L44	125	113,685	3000K (30) 4000K (40) 5000K (50)	100-277V (Leave Blank) 277-480V (HV)	<b>L44</b> 4HX4V

PRODUCT DIMENSIONS

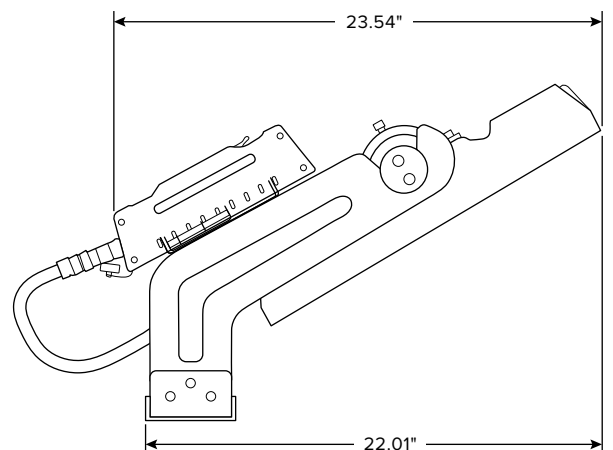
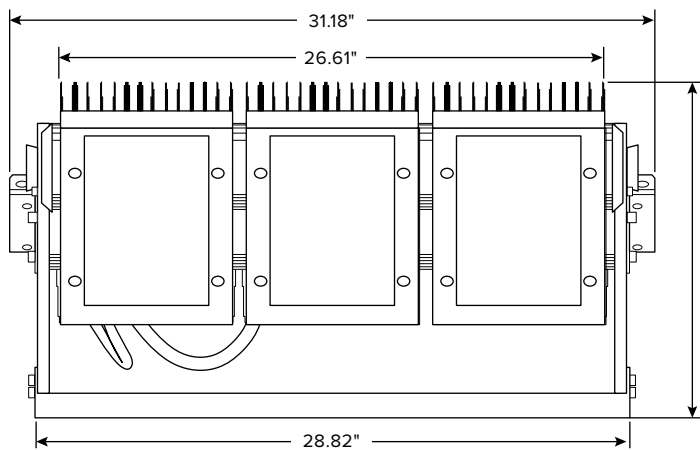
300 WATT



600WATT



900 WATT





**WWW.ESLVISION.COM**  
**888.493.5559**

**Questions or Comments**  
[www.eslvision.com](http://www.eslvision.com)  
[customerservice@eslvision.com](mailto:customerservice@eslvision.com)  
ESL Vision, LLC  
1136 S 3600 W  
Salt Lake City, UT, USA  
**Catalog# HOFL-2018**