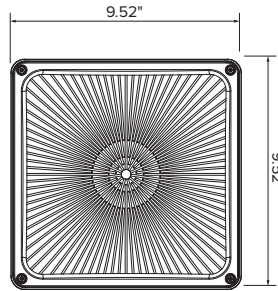


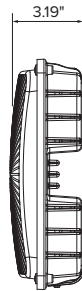
### Performance Overview:

Wattage: 40 Watts  
 Lumen Output: Up to 5,450 Lumens  
 Efficacy (lm/W): Up to 136 Lumens  
 Kelvin: 4000K, 5000K  
 CRI: >70

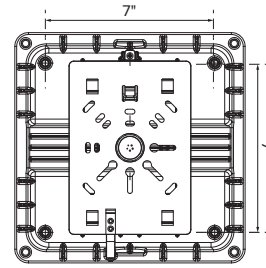
Project: \_\_\_\_\_ Date: \_\_\_\_\_  
 Catalog #: \_\_\_\_\_  
 Notes: \_\_\_\_\_



Front



Side



Back

### Ordering Guide:

<b>ESL</b>	<b>CP</b>	<b>40W</b>	<b>3</b>		<b>BZ</b>		<b>D</b>	
ESL	TYPE	WATTS	GENERATION	KELVIN	FINISH	SENSOR	DIMMING	EMERGENCY
	CP (Canopy)	40W	3 (3rd Generation)	40 (4000 Kelvin) 50 (5000 Kelvin)	BZ (Bronze)	Blank (No Sensor) OCC (See Below)	D (1-10V Dimmable)	Blank (No EMG) EMG (See Below)

### Options & Accessories

ESL-4OCC-LDD (Occupancy Sensor, 0-10v Dimming, 8'-20' Mounting)
ESL-REM-100 (Remote control to field program 4OCC Sensor)
ESL-EMG-5DC-10W (External Emergency Backup)

### Product Specifications:

#### Optical:

- Precision Engineered Optical Lens
- Consistent Uniformity
- Impact Resistant
- UV Protection

#### Construction:

- Die Cast Housing
- High Performance Heat Sink
- Weathertight LED Driver Housing
- Continuous gasket seal
- Low Profile Light Weight Design
- Housing is completely sealed and is suitable for hose down applications.

### Electrical:

Wattage: 40 Watts

Power Factor: @120 VAC: 0.99 / @277 VAC: 0.95

Input Voltage: 120-277 VAC

Total Harmonic Distortion (THD):

THD @ 120 VAC: 9.7%

THD @ 277 VAC: 9.7%

Operating Temperature: -40°F to 104°F (-40°C to 40°C)

L70: 125K Hours\*

L90: 36K Hours\*

Surge Protection: 4kV / 10kV Option (See Options & Accessories)

Dimming: 1-10V Dimmable

\*See LED Lumen Maintenance Chart on Page 3

### Catalog Data:

ITEM#	WATTS	LUMEN OUTPUT	EFFICACY (lm/W)	KELVIN	DLC QPL CODE
ESL-CP-40W-340-BZ-X-X-X	40W	5,350	134	4000K	PL69JHW47XQY
ESL-CP-40W-350-BZ-X-X-X	40W	5,450	136	5000K	PLADL0URCROO

### Options & Accessories:



#### ESL-4OCC-LDD

Sensor Type: Microwave  
 Sensitivity Adjustment: 20% / 50% / 75% / 100%  
 Dimming Control Output: 0-10V  
 Detection Radius/angle: Max. 26ft/360°  
 Detection Area (square footage): 2123ft<sup>2</sup>@20ft/360°  
 Mounting Height: 20ft Max  
 Remote Range: 50ft  
 Programming: Via Dip Switch  
 For more information please see the  
 ESL-4OCC-LDD cut sheet



#### ESL-EMG-5DC-10W



#### ESL-REM-100

### Lumen Ambient Temperature (LAT) Multipliers:

AMBIENT		LUMEN MULTIPLIER
0 °C	32 °F	1.02
10 °C	50 °F	1.01
20 °C	68 °F	1
25 °C	77 °F	1
30 °C	86 °F	1
40 °C	104 °F	0.99

### LED Lumen Maintenance:

SYSTEM WATTS	HOURS			
	0	25000	50000	100000
27	100%	93%	87%	75%
40	100%	93%	87%	75%
60	100%	93%	87%	75%

### Electrical Load:

SYSTEM WATTS	CURRENT			
	120	208	240	277
27	0.23	0.13	0.11	0.10
40	0.33	0.19	0.17	0.14
60	0.50	0.29	0.25	0.22

### Lumen Data:

SYSTEM WATTS	4000K					5000K				
	LUMENS	B	U	G	LPW	LUMENS	B	U	G	LPW
27	3,740	2	2	1	138	3,875	2	2	1	144
40	5,370	2	2	2	134	5,520	2	2	2	138
60	7,860	3	2	2	131	8,060	3	2	2	134

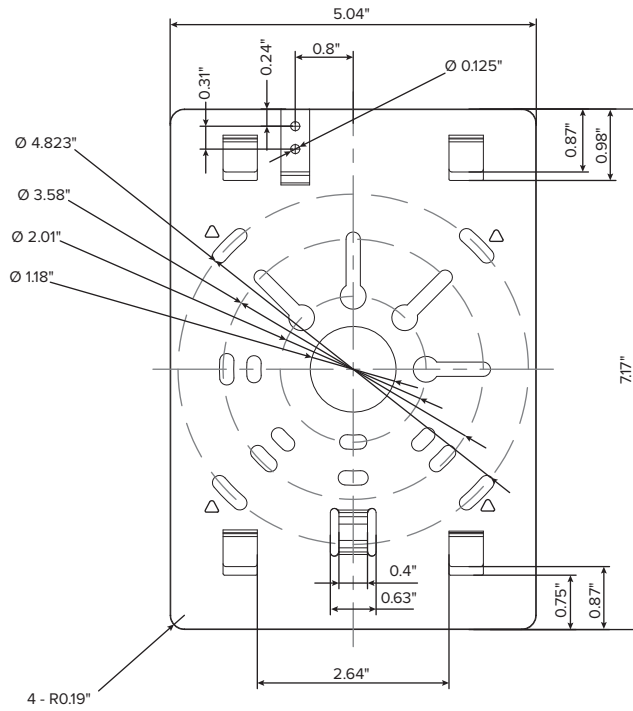
### Zonal Lumen Summary:

27 WATTS - 4000K			27 WATTS - 5000K		
ZONE	LUMENS	%FIXT	ZONE	LUMENS	%FIXT
0-20	277.43	7.4	0-20	277.43	7.4
0-30	634.33	16.9	0-30	634.33	16.9
0-40	1129.02	30.1	0-40	1129.02	30.1
0-60	2393.7	63.9	0-60	2393.7	63.9
0-80	3557.24	94.9	0-80	3557.24	94.9
0-90	3722.13	99.3	0-90	3722.13	99.3
10-90	3658.65	97.6	10-90	3658.65	97.6
20-40	851.58	22.7	20-40	851.58	22.7
20-50	1449.35	38.7	20-50	1449.35	38.7
40-70	1896.62	50.6	40-70	1896.62	50.6
60-80	1163.54	31.1	60-80	1163.54	31.1
70-80	531.61	14.2	70-80	531.61	14.2
80-90	164.89	4.4	80-90	164.89	4.4
90-110	16.35	0.4	90-110	16.35	0.4
90-120	21.53	0.6	90-120	21.53	0.6
90-130	24.17	0.6	90-130	24.17	0.6
90-150	24.79	0.7	90-150	24.79	0.7
90-180	24.79	0.7	90-180	24.79	0.7
110-180	8.44	0.2	110-180	8.44	0.2
0-180	3746.92	100	0-180	3746.92	100

40 WATTS - 4000K			40 WATTS - 5000K		
ZONE	LUMENS	%FIXT	ZONE	LUMENS	%FIXT
0-20	391.47	7.3	0-20	407.58	7.4
0-30	905.7	16.9	0-30	940.16	17
0-40	1615.67	30.1	0-40	1672.55	30.3
0-60	3428.46	63.8	0-60	3534.85	64
0-80	5102.72	95	0-80	5240.89	94.9
0-90	5334.99	99.3	0-90	5483.27	99.3
10-90	5245.45	97.6	10-90	5390.14	97.6
20-40	1224.2	22.8	20-40	1264.97	22.9
20-50	2078	38.7	20-50	2144.88	38.8
40-70	2726.4	50.7	40-70	2791.77	50.5
60-80	1674.26	31.2	60-80	1706.04	30.9
70-80	760.65	14.2	70-80	776.57	14.1
80-90	232.27	4.3	80-90	242.38	4.4
90-110	24.84	0.5	90-110	26.05	0.5
90-120	32.85	0.6	90-120	34.28	0.6
90-130	37.46	0.7	90-130	39.11	0.7
90-150	38.62	0.7	90-150	40.32	0.7
90-180	38.66	0.7	90-180	40.35	0.7
110-180	13.82	0.3	110-180	14.3	0.3
0-180	5373.65	100	0-180	5523.62	100

60 WATTS - 4000K			60 WATTS - 5000K		
ZONE	LUMENS	%FIXT	ZONE	LUMENS	%FIXT
0-20	562.64	7.2	0-20	583.84	7.2
0-30	1310.97	16.7	0-30	1356.03	16.8
0-40	2340.7	29.8	0-40	2418.43	30
0-60	4997.36	63.6	0-60	5141.57	63.8
0-80	7456.74	94.9	0-80	7644.54	94.8
0-90	7803.47	99.3	0-90	8002.99	99.3
10-90	7671.41	97.6	10-90	7866.02	97.6
20-40	1778.06	22.6	20-40	1834.58	22.8
20-50	3021.93	38.4	20-50	3113.55	38.6
40-70	3994.29	50.8	40-70	4084	50.7
60-80	2459.38	31.3	60-80	2502.96	31
70-80	1121.74	14.3	70-80	1142.11	14.2
80-90	346.73	4.4	80-90	358.45	4.4
90-110	37.57	0.5	90-110	38.37	0.5
90-120	49.16	0.6	90-120	50.18	0.6
90-130	55.82	0.7	90-130	57	0.7
90-150	57.4	0.7	90-150	58.63	0.7
90-180	57.47	0.7	90-180	58.71	0.7
110-180	19.9	0.3	110-180	20.33	0.3
0-180	7860.94	100	0-180	8061.7	100

### Mounting Plate Specifications:



### Emergency Box Specifications:

