

Key Features & Benefits:

- Plug & Play and Line Voltage Compatible
- No Flickering
- Instant On
- Low Glare
- G24 (2) Pin and (4) Pin Available



Project: _____

Date: _____

Catalog #: _____

Notes: _____



Technical Specifications:

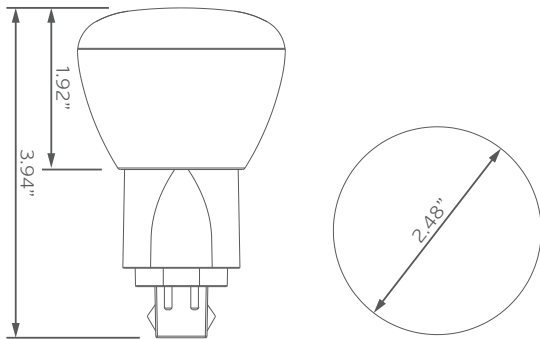
- Power: 8 Watts
- Lumen Output: Up to 700
- Efficacy (lm/W): Up to 88 Lumens per Watt
- Correlated Color Temperature (CCT): 3000K, 4000K, & 5000K
- CRI: >83
- Input Voltage: 120-277 VAC, Ballast Compatible
- Life Span: 25,000 Hours
- Beam Angle: 120°
- Dimensions (ØxH): 2.48" x 3.94"



PLUG & PLAY



25,000 HRS
LONG LIFE



ITEM#	WATTS	LUMEN OUTPUT	EFFICACY (lm/W)	KELVIN	CRI
ESL-VPL-8W-230-G24D	8W	650	81	3000K	>83
ESL-VPL-8W-240-G24D	8W	700	88	4000K	>83
ESL-VPL-8W-250-G24D	8W	700	88	5000K	>83
ESL-VPL-8W-230-G24Q	8W	650	81	3000K	>83
ESL-VPL-8W-240-G24Q	8W	700	88	4000K	>83
ESL-VPL-8W-250-G24Q	8W	700	88	5000K	>83

Ordering Guide:

Example Part Number: **ESL-VPL-8W-230-G24D**

ESL	-	VPL	-	8W	-	2	-	230	-	G24D
ESL		TYPE		WATTS		GENERATION		COLOR		BASE
		VPL		8W (8 Watts)		2 (2nd Generation)		30 (3000 Kelvin) 40 (4000 Kelvin) 50 (5000 Kelvin)		G24D G24Q