

Dip Switch Programming:

Detection Range (Sensitivity):

Detection range is the term used to describe the radii of the circular detection zone after sensor has been mounted and installed at a height of 50ft.

SENSITIVITY			
1	2	3	%
OFF	OFF	OFF	20%
OFF	ON	ON	50%
ON	OFF	ON	75%
ON	ON	ON	100%

Hold Time:

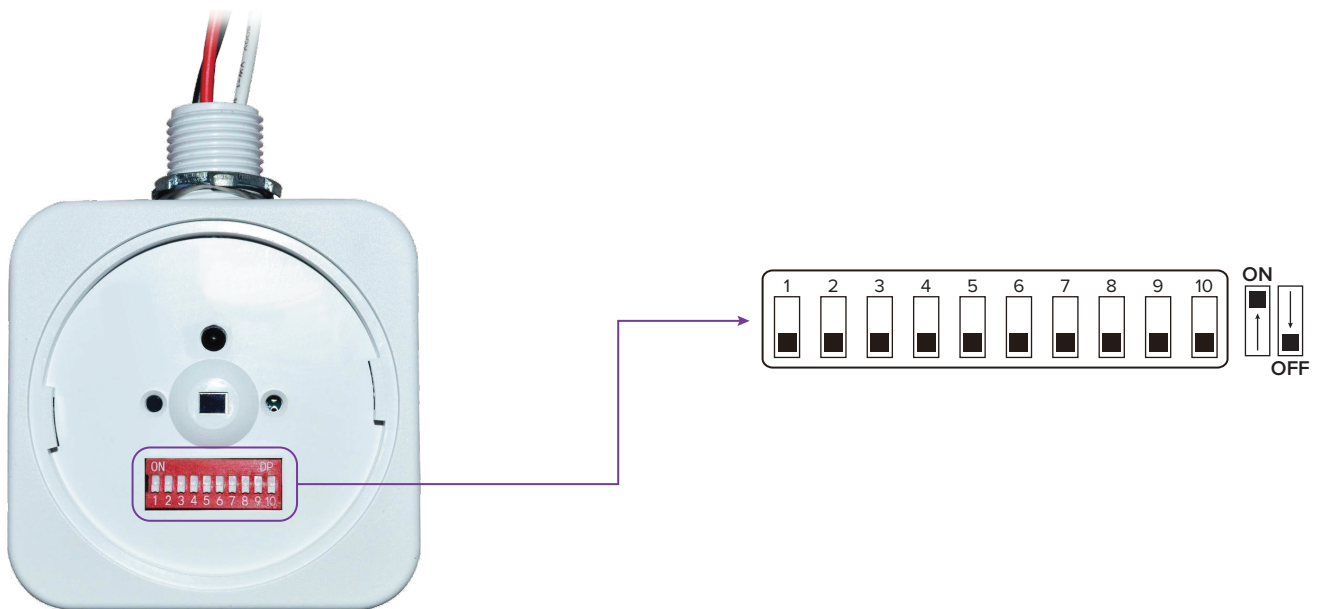
The light can be set to stay ON for any period of time between approximately 10 seconds to a maximum of 30 minutes. Any detection of movement before the programmed hold time elapses and the timer with re-start. It is recommended to select the shortest time for adjusting the detection zone and for performing the walk test.

TIME				
4	5	6	7	⊙
OFF	OFF	OFF	OFF	10s
OFF	OFF	OFF	ON	1min
OFF	ON	OFF	OFF	5min
OFF	ON	OFF	ON	10min
ON	OFF	OFF	ON	30min

Photo Control:

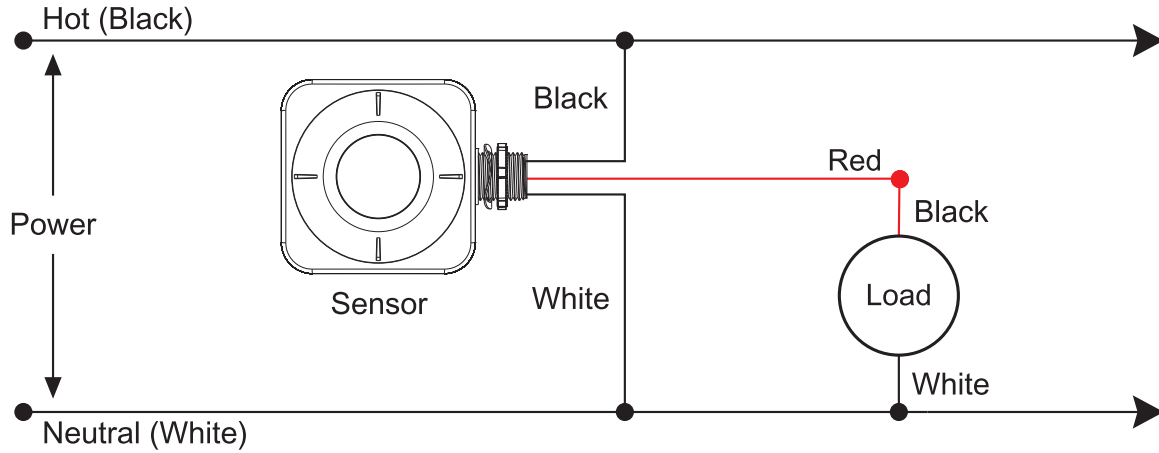
The photocell light settings can be adjusted to: Off = no change in light will affect occupancy. At 10lux (1 fc) fixture will go off. At 50lux (5 fc) fixture will go off. At 300lux (28 fc) fixture will go off.

LIGHT			
8	9	10	lux
OFF	OFF	OFF	☀
OFF	OFF	ON	10lux
OFF	ON	ON	50lux
ON	ON	OFF	300lux

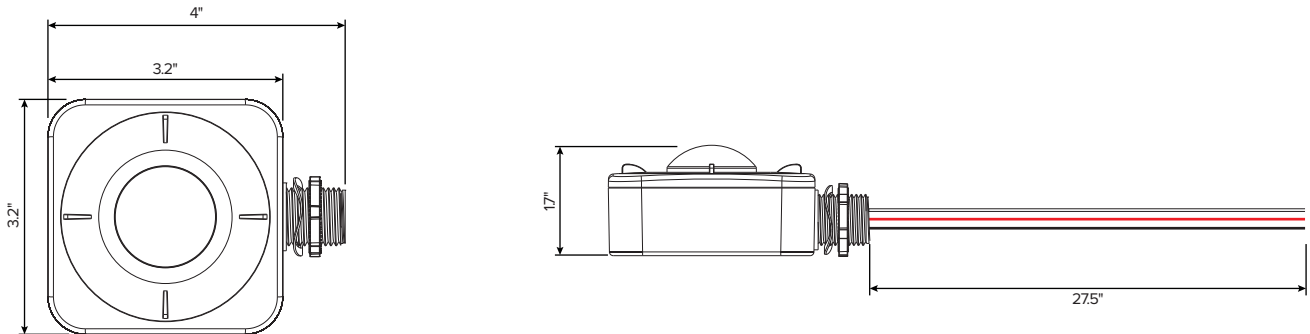


Wiring:

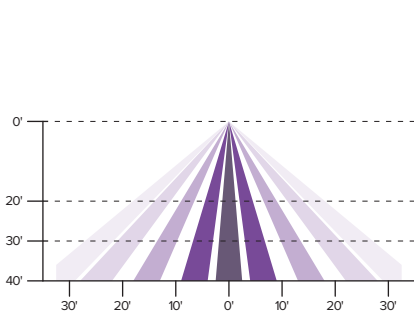
10CC-HDO wiring with non-dimming ballast or LED driver



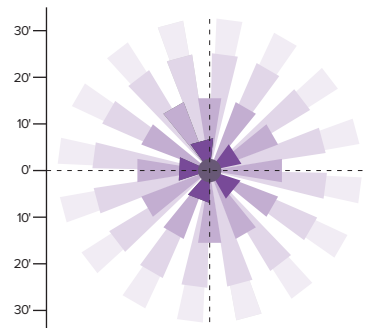
Dimensions:



Coverage:



Side View Coverage



Top View Coverage