

Key Features & Benefits:

- Listed for Field and Factory Installation
- High Temperature, Nickel - Cadmium Battery for Long Life
- 13-60VDC for Wide Range of LED Loads
- UL 924 and Tested to CSA C.22.2 No. 141 Emergency Lighting Compliant
- Meets CEC Title 20 (California Energy Commission) Efficiency Standards
- Test Switch Indicator: 2W - ITS (2-Wire Illumination Test Switch)
- RoHS Compliant

Project: _____

Date: _____

Catalog #: _____

Notes: _____



Technical Specifications:

ESL-EMG-4DC-xxW*		5 Watts†	9 Watts	15 Watts†	25 Watts†
Input	Rated Current	0.05A (Max)	0.06A (Max)	0.07A (Max)	0.1A (Max)
	Rated Power	3.5 Watts (Max)	4 Watts (Max)	5.5 Watts (Max)	7 Watts (Max)
	Rated Voltage	100 - 277 VAC, 50 - 60Hz			
Output	Emergency Output Power	5 Watts	9 Watts	15 Watts	25 Watts
	Output Voltage	13~60VDC	14~60VDC	15~60VDC	25~60VDC
	Output Current	1A (Max)			
	Output Current of AC Driver	5A (Max)			
	Operation Frequency	320kHz ≥ f ≥ 50kHz			
Emergency	Emergency Operation	≥90 Minutes			
	Charging Time	24 Hours			
	Charging Current	0.08A	0.11A	0.19A	0.23A
	Power Factor	≥0.50			
Environment	Operating Temperature	32°F - 122°F 0°C - 50°C			
	Case Tc	Max. 158°F (70°C)			
	Weight	2.28 lbs (±0.25 lbs)			

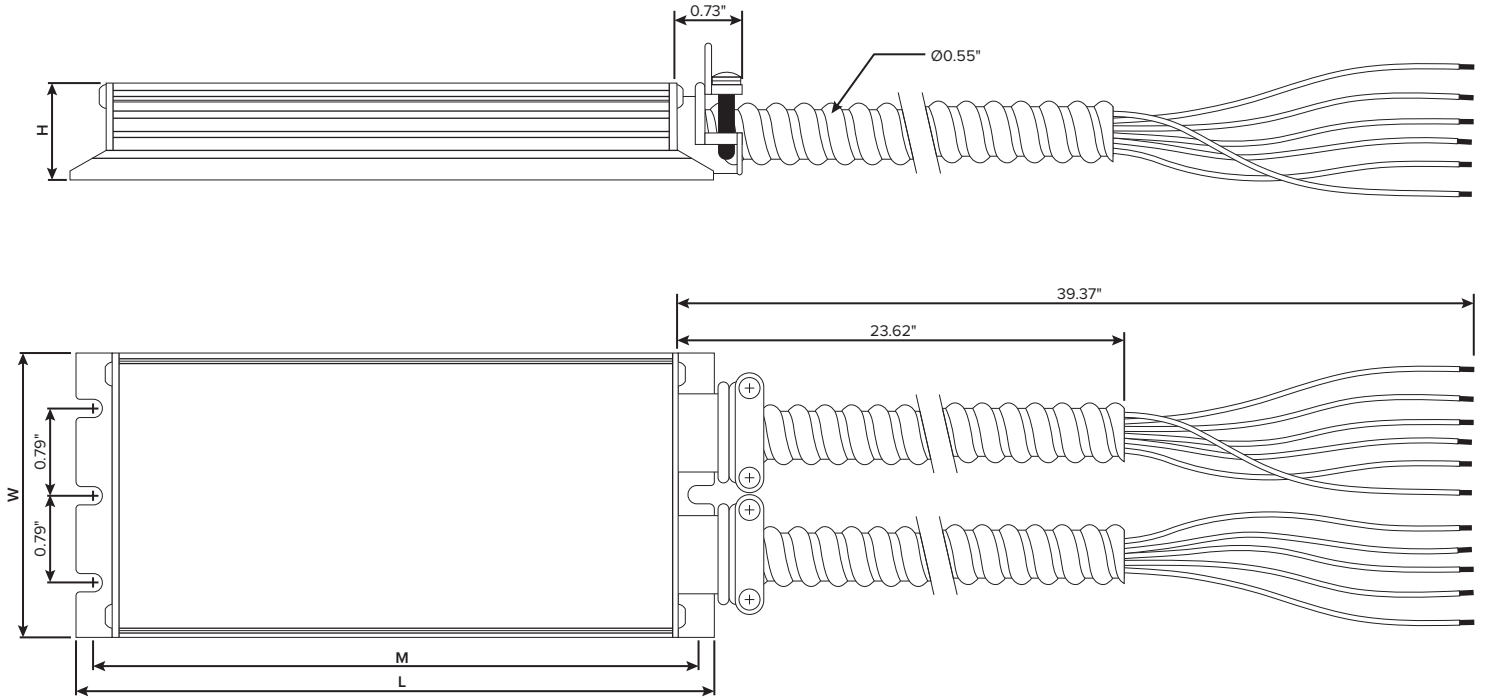
* XX = Output Power (5, 9, 15 or 25 Watts)

† These products are not stocked. Contact factory for lead times.



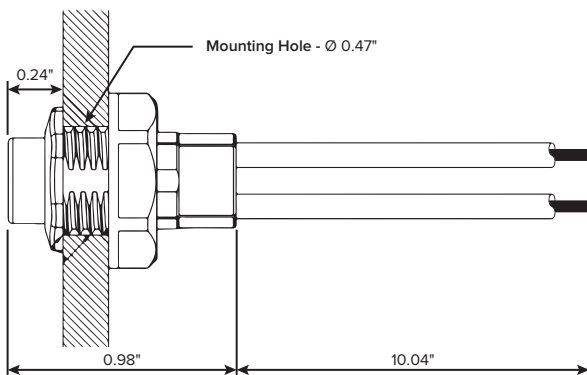
Dimensions:

EMG-4DC:



MODEL	L	M	W	H
ESL-EMG-4DC-5W	10.24"	9.92"	2.56"	0.87"
ESL-EMG-4DC-9W	12.09"	11.77"	2.56"	0.87"
ESL-EMG-4DC-15W	14.65"	14.33"	2.56"	0.87"
ESL-EMG-4DC-25W	13.78"	12.60"	3.23"	1.18"

Test Switch:



Typical Wiring Diagram:

