

Key Features & Benefits:

- Reduces Light Pollution and Adverse Effects on Wildlife
- Utilizes Existing Fixtures for Fast and Cost Effective Installation
- Indoor and Outdoor Applications:
 - Beach Front & Waterways
 - Airports
 - Commercial & Retail
 - Parking Lots & Buildings
 - Food & Beverage Production
- 10 Year Warranty
- Optimized Pin Array Heatsink
- Overheat Shutdown
- L70 Lifetime >100,000 Hours
- Intelligent Thermal Control
- Compatible with Networked Lighting Control Qualified Systems

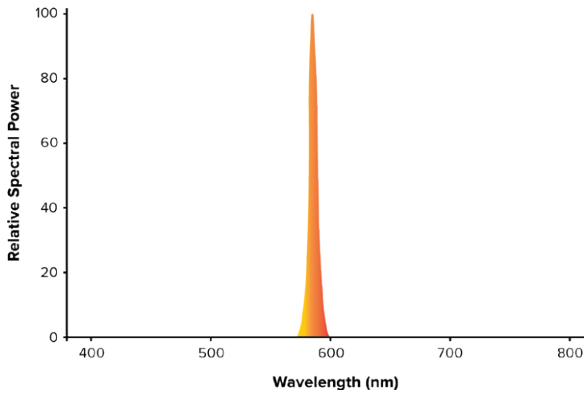


Project: _____

Date: _____

Catalog #: _____

Notes: _____



Technical Specifications:

Light Specifications

Lumen Output: Up to 31,395 Lumens
 Wavelength (nanometers): 590nm
 CRI: >75
 Rated Life (hrs): 100,000 Hours
 IES Classification: Fixture Dependent
 Dimensions (LxWxH): 11.6" x 9.0" x 3.4"
 Weight Without Driver (lbs): 4.2

Driver Specifications

Power: 350 Watts
 Input Voltage: 120-277 VAC, 180-528 VAC
 Input Current @120V: 2.92A
 Input Current @277V: 1.26A
 Input Current @480V: 0.73A
 Operating Temperature: -40°F to 176°F (-40°C to 80°C)
 Non-Dimmable Driver Dimensions - x2 (LxWxH): 8.97" x 2.7" x 1.53"
 0-10v Dimmable Driver Dimensions - x2 (LxWxH): 8.97" x 2.7" x 1.53"

High Voltage Driver Dimensions - x2 (LxWxH): 10" x 2.7" x 1.53"

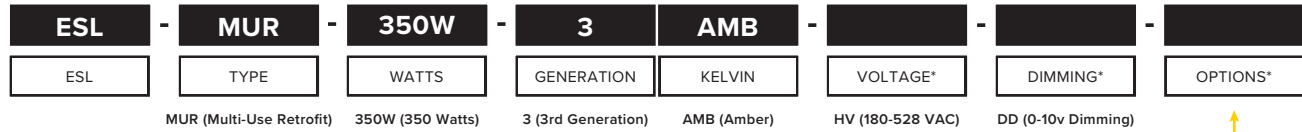
0-10v Dimmable High Voltage Driver Dimensions - x2 (LxWxH): 10" x 2.7" x 1.53"

Catalog Data:

ITEM#	WATTS	LUMEN OUTPUT	WAVELENGTH	INPUT VOLTAGE
ESL-MUR-350W-3AMB	350W	31,410	590 nm	120-277 VAC
ESL-MUR-350W-3AMB-HV	350W	31,395	590 nm	347-480 VAC

Ordering Guide:

Example Part Number: **ESL-MUR-350W-3AMB-HV-DD**

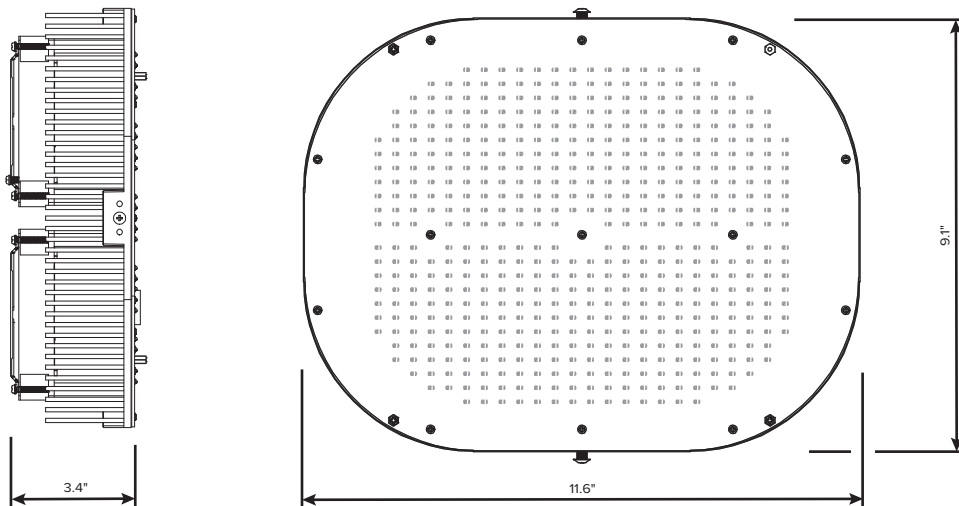


* Leave blank if HV, Dimming or Options are not needed

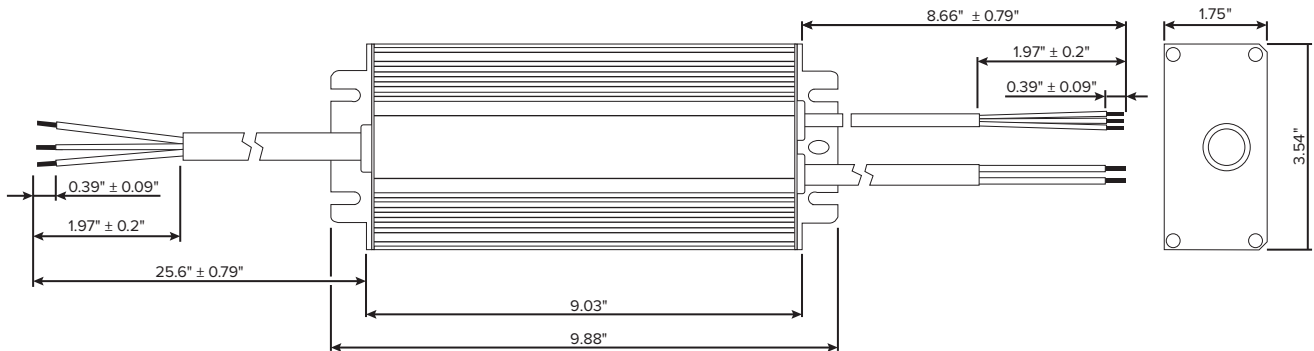
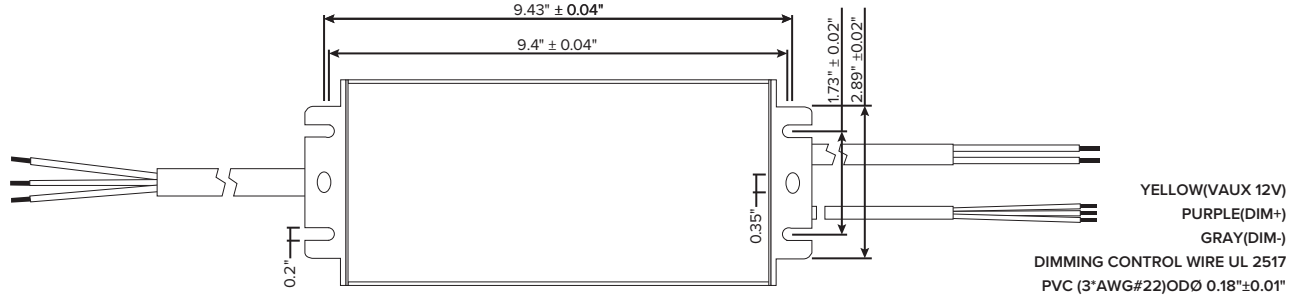
Options (Add as Suffix):

- ESL-10CC On/Off High Bay Occupancy Sensor, 8' - 41' Mounting
- ESL-20CC High Bay 0-10v Dimming Sensor, 8' - 46' Mounting
- ESL-30CC IP65 High Bay 0-10v Dimming Sensor, 8'- 50' Mouting, Wire From Side
- ESL-30CCB IP65 High Bay 0-10v Dimming Sensor, 8'- 50' Mouting, Wire From Top
- ESL-40CC Occupancy Sensor, 0-10v Dimming, 8'-20' Mounting
- ESL-SPD-277-1 Hard Wire Surge Protector; (100-277 VAC) Max Discharge Current: 20kA
- ESL-480V-SD01 480 Volt Step Down Transformer
- ESL-REM-100 Hand Held Remote to Program ESL-30CC
- ESL-REM-101 Hand Held Remote to Program ESL-20CC, ESL-40CC, ESL-50CC

Dimensions:



Standard Driver Dimensions:



High Voltage Driver Dimensions:

