

### Key Features & Benefits:

- Reduces Light Pollution and Adverse Effects on Wildlife
- Utilizes Existing Fixtures for Fast and Cost Effective Installation
- Indoor and Outdoor Applications:
  - Beach Front & Waterways
  - Airports
  - Commercial & Retail
  - Parking Lots & Buildings
  - Food & Beverage Production
- 10 Year Warranty
- Optimized Pin Array Heatsink
- Overheat Shutdown
- L70 Lifetime >100,000 Hours
- Intelligent Thermal Control
- Compatible with Networked Lighting Control Qualified Systems

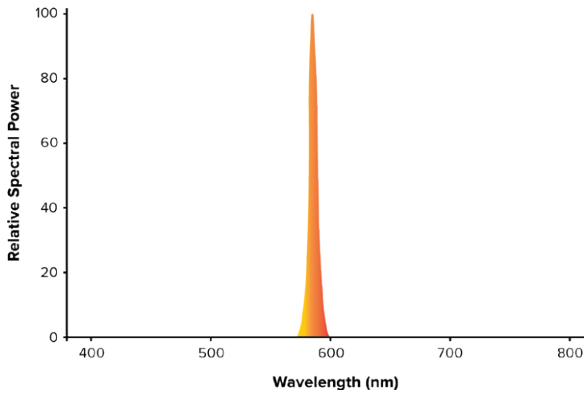


Project: \_\_\_\_\_

Date: \_\_\_\_\_

Catalog #: \_\_\_\_\_

Notes: \_\_\_\_\_



### Technical Specifications:

#### Light Specifications

Lumen Output: Up to 4,043 Lumens  
 Wavelength (nanometers): 590nm  
 CRI: >75  
 Rated Life (hrs): 100,000 Hours  
 IES Classification: Fixture Dependent  
 Dimensions (LxWxH): 4.6" x 4.6" x 2.7"  
 Weight Without Driver (lbs): 0.77

#### Driver Specifications

Power: 45 Watts  
 Input Voltage: 120-277 VAC, HV - 347-480 VAC  
 Input Current @120V: 0.375A  
 Input Current @277V: 0.162A  
 Input Current @480V: 0.094A  
 Operating Temperature: -40°F to 176°F (-40°C to 80°C)  
 Non-Dimmable Driver Dimensions - (LxWxH): 6.4" x 1.7" x 1.3"  
 0-10v Dimmable Driver Dimensions - (LxWxH): 6.7" x 2.4" x 1.45"

High Voltage Driver Dimensions - (LxWxH): 7.4" x 2.4" x 1.4"

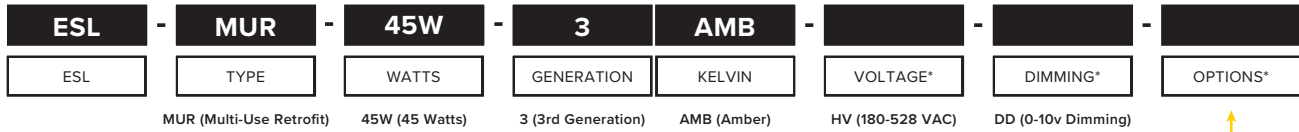
0-10v Dimmable High Voltage Driver Dimensions - (LxWxH): 7.4" x 2.4" x 1.4"

### Catalog Data:

ITEM#	WATTS	LUMEN OUTPUT	WAVELENGTH	INPUT VOLTAGE
ESL-MUR-45W-3AMB	45W	4,042	590 nm	120-277 VAC
ESL-MUR-45W-3AMB-HV	45W	4,043	590 nm	347-480 VAC

### Ordering Guide:

Example Part Number: **ESL-MUR-45W-3AMB-HV-DD**

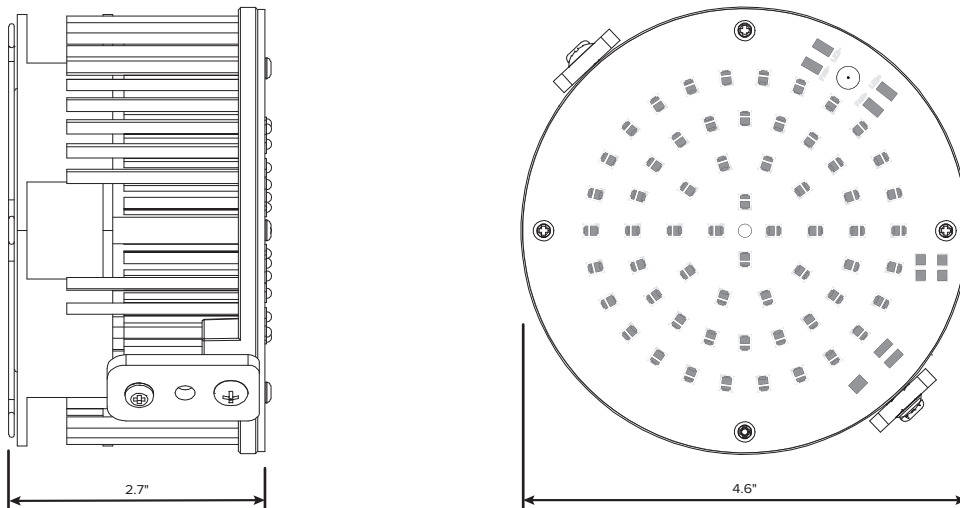


\* Leave blank if HV, Dimming or Options are not needed

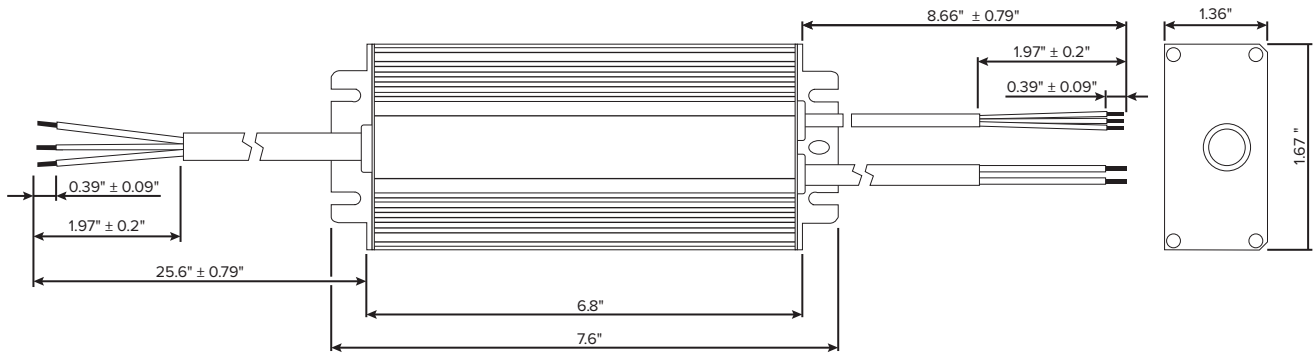
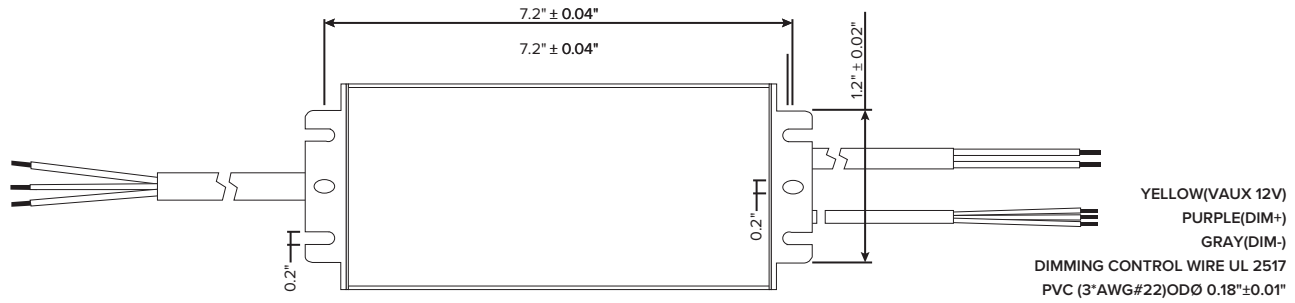
### Options (Add as Suffix):

- ESL-10CC On/Off High Bay Occupancy Sensor, 8' - 41' Mounting
- ESL-20CC High Bay 0-10v Dimming Sensor, 8' - 46' Mounting
- ESL-30CC IP65 High Bay 0-10v Dimming Sensor, 8'- 50' Mounting, Wire From Side
- ESL-30CCB IP65 High Bay 0-10v Dimming Sensor, 8'- 50' Mounting, Wire From Top
- ESL-40CC Occupancy Sensor, 0-10v Dimming, 8'-20' Mounting
- ESL-SPD-277-1 Hard Wire Surge Protector; (100-277 VAC) Max Discharge Current: 20kA
- ESL-480V-SD01 480 Volt Step Down Transformer
- ESL-REM-100 Hand Held Remote to Program ESL-30CC
- ESL-REM-101 Hand Held Remote to Program ESL-20CC, ESL-40CC, ESL-50CC

### Dimensions:



**Standard Driver Dimensions:**



### High Voltage Driver Dimensions:

