

Key Features & Benefits:

- Adjustable Time Delay Via Dip Switch
- Slim, No Driver Design
- Surface Mount to Ceiling or Wall
- Compatible with 3/0 & 4/0 J-Boxes
- Triac Dimmable (120V)
- NFPA 70, NEC section 410.16, C (1) Requirements
 - Rated for closets
- PIR Motion Sensor



Project: _____ Date: _____
 Catalog #: _____
 Notes: _____

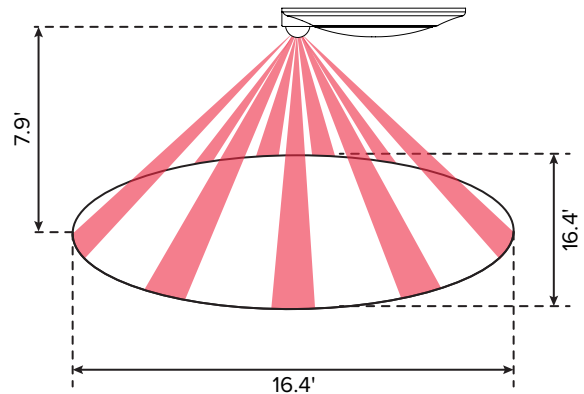


Technical Specifications:

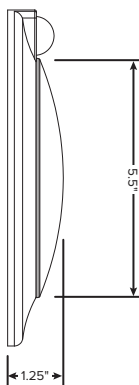
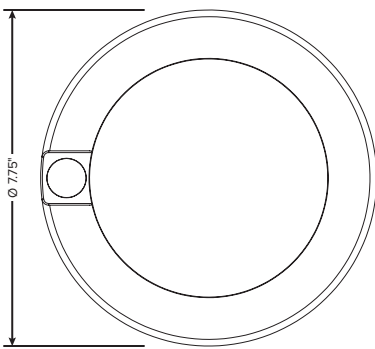
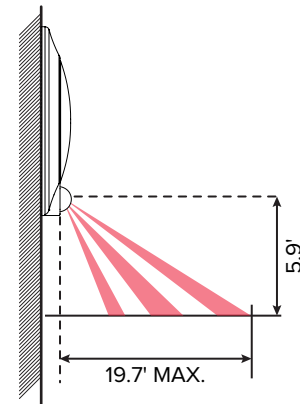
- Wattage: 15 Watts
 Input Voltage: 120 VAC
 Kelvin: 3000K, 4000K
 CRI: >80
 Beam Angle: 120°
 Lumen Output: Up to 950 Lumens
 Efficacy (lm/W): Up to 63 Lumens
 Rated Life (hrs): > 50,000 Hours
 Sensor Type: Passive Infrared
 Adjustable Time Delay: 1min / 5min / 10min
 Operating Temperature: -4°F to 122°F (-20°C to 50°C)
 Dimensions (Ø X H): 7.75" X 1.25"
 Weight (lbs): 0.8 lbs

Sensor Detection Range:

Ceiling Mount



Wall Mount



Ordering Guide:

ESL	ODSK	6	15W	1	30	DA
ESL	TYPE	SIZE	WATTS	GENERATION	KELVIN	DELAY
	ODSK (Occ Disk)	6 (6 inch)	15W	1 (1st Generation)	30 (3000 Kelvin) 40 (4000 Kelvin)	DA (Adjustable Delay)

Catalog Data:

ITEM#	WATTS	LUMEN OUTPUT	EFFICACY (lm/W)	KELVIN
ESL-ODSK-6-15W-130-DA	15W	950	63	3000K
ESL-ODSK-6-15W-140-DA	15W	950	63	4000K

Installation:

