



# LED 1'x8' RETROFIT KIT SERIES



Ti - K18 - 72 Watts

PAGE 1 OF 2

## Key Features & Benefits:

- Installs in Minutes
  - Magnetic Clips
  - Hex Tek Screws
- 16 Available Kits in 1x8 Retrofit
  - 36 Available Kits in 1x4 Retrofit
  - 54 Available Kits in 2x4 Retrofit
  - 24 Available Kits in 2x2 Retrofit
- 3,810 to 9,432 Total Kit Lumens
- Long Life 80,000 Hours (L70)
  - 10 year warranty (12 hour run times)
  - 7 year warranty (24 hour run times)

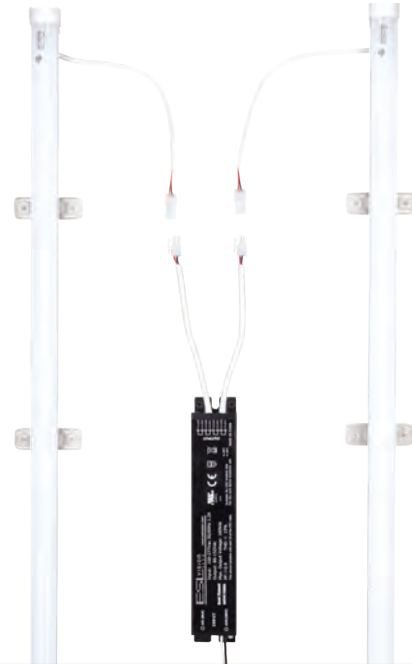


Project: \_\_\_\_\_

Date: \_\_\_\_\_

Catalog #: \_\_\_\_\_

Notes: \_\_\_\_\_



## Technical Data:

### Light Specifications:

Total Kit Lumens: Up to 9,091 Lumens  
 Total Efficacy (lm/W): Up to 132 Lumens per Watt  
 Kelvin: 3000K, 3500K, 4000K, 5000K  
 Color Rendering Index (CRI): >82  
 Rated Life: > 80,000 hrs

### Driver Data:

Input Voltage: 120-277 VAC  
 Driver Output: Dual Output  
 Output Power: 72 Watts  
 Input Current @ 120V: 0.6 Amps  
 Input Current @ 240V: 0.3 Amps  
 Input Current @ 277V: 0.26 Amps  
 Total Harmonic Distortion (THD): <10%  
 Operating Temperature: -4 ~ 122°F  
 Dimming: 1-10v Dimmable

## Catalog Data:

ITEM#	WATTS	TOTAL KIT LUMENS	TOTAL EFFICACY (lm/W)	KELVIN
ESL-Ti-K18-S-72W-2L-F30	72W	8,582	124	3000K
ESL-Ti-K18-S-72W-2L-F35	72W	8,709	126	3500K
ESL-Ti-K18-S-72W-2L-F40	72W	8,837	128	4000K
ESL-Ti-K18-S-72W-2L-F50	72W	9,091	132	5000K

### Ordering Guide:

<b>ESL</b>	-	<b>Ti</b>	-	<b>K18</b>	-	<b>S</b>	-	<b>72W</b>	-	<b>2L</b>	-	<b>F</b>	
ESL		TYPE		SERIES		CLASS		WATTS		Ti		LENS	KELVIN
		Ti Series		K18 (1x8 Kit)		S		60W (60 Watts) 72W (72 Watts)		2L (Two Ti)		F (Frosted)	30 (3000 Kelvin) 35 (3500 Kelvin) 40 (4000 Kelvin) 50 (5000 Kelvin)

### Alternate 1'x8' Ti Kit Options:



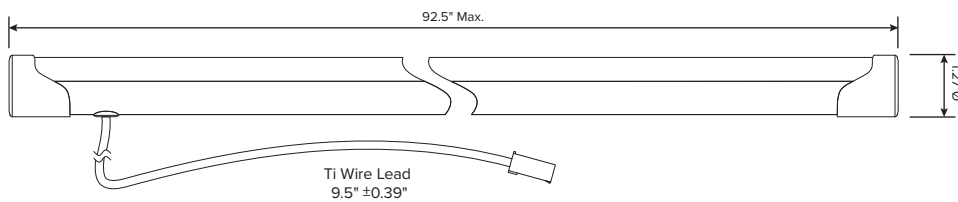
1L Output

### What's Included:

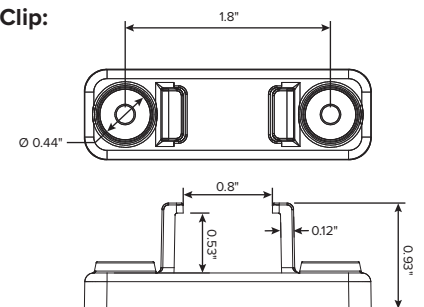
- (2) LED Ti Bars
- (1) LED Driver
- (6) Ti Clips with Rare Earth Magnets
- (12) Self Tapping Screws
- (1) UL1598C Certification Label

### Dimensions:

#### Ti:



#### Clip:



#### Driver:

