



# LED 2'x4' RETROFIT KIT SERIES



## Ti - K24 - 26 Watts

PAGE 1 OF 2

### Key Features & Benefits:

- DLC Listed 2x4 Troffer Retrofit Kit
- Installs in Minutes
  - Magnetic Clips
  - Hex Tek Screws
- 54 Available 2x4 Retrofit Kits
  - 24 Available 2x2 Retrofit Kits
  - 36 Available 1x4 Retrofit Kits
- 2,779 to 12,639 Troffer Kit Lumens
- 3,328 to 14,280 Linear Ambient Kit Lumens
- Long Life 80,000 Hours (L70)
  - 10 year warranty (12 hour run times)
  - 7 year warranty (24 hour run times)

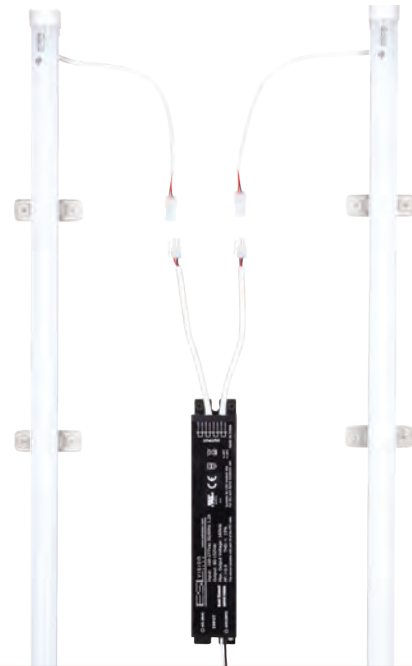


Project: \_\_\_\_\_

Date: \_\_\_\_\_

Catalog #: \_\_\_\_\_

Notes: \_\_\_\_\_



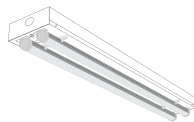
### Technical Data:

#### Light Specifications:

Linear Ambient Kit Lumens: Up to 3,509 Lumens  
 Linear Ambient Kit Efficacy (lm/W): Up to 146 Lumens per Watt  
 Troffer Kit Lumens: Up to 2,848 Lumens  
 Troffer Kit Efficacy (lm/W): Up to 116 Lumens per Watt  
 Kelvin: 3000K, 3500K, 4000K, 5000K  
 Color Rendering Index (CRI): >82  
 Rated Life: > 80,000 hrs

#### Driver Data:

Input Voltage: 120-277 VAC  
 Driver Output: Dual Output  
 Output Power: 26 Watts  
 Input Current @ 120V: 0.217 Amps  
 Input Current @ 240V: 0.108 Amps  
 Input Current @ 277V: 0.094 Amps  
 Total Harmonic Distortion (THD): <10%  
 Operating Temperature: -4 ~ 122°F



### Application Listing:

ITEM #	TROFFER APPLICATION
--------	---------------------

ESL-Ti-K24-S-26W-2L-F30	Linear Retrofit Kit for 2x4 Luminaires
ESL-Ti-K24-S-26W-2L-F35	Linear Retrofit Kit for 2x4 Luminaires
ESL-Ti-K24-S-26W-2L-F40	Linear Retrofit Kit for 2x4 Luminaires
ESL-Ti-K24-S-26W-2L-F50	Linear Retrofit Kit for 2x4 Luminaires

ITEM #	LINEAR AMBIENT APPLICATION
--------	----------------------------

ESL-Ti-K24-S-26W-2L-F30	Retrofit Kit for Direct Linear Ambient Luminaires
ESL-Ti-K24-S-26W-2L-F35	Retrofit Kit for Direct Linear Ambient Luminaires
ESL-Ti-K24-S-26W-2L-F40	Retrofit Kit for Direct Linear Ambient Luminaires
ESL-Ti-K24-S-26W-2L-F50	Retrofit Kit for Direct Linear Ambient Luminaires

### Catalog Data:

ITEM #	WATTS	KELVIN	TROFFER KIT LUMENS	TROFFER KIT EFFICACY (lm/W)	LINEAR AMBIENT KIT LUMENS	LINEAR AMBIENT KIT EFFICACY (lm/W)
ESL-Ti-K24-S-26W-2L-F30	26W	3000K	2,780	113	3,455	143
ESL-Ti-K24-S-26W-2L-F35	26W	3500K	2,802	114	3,460	144
ESL-Ti-K24-S-26W-2L-F40	26W	4000K	2,825	115	3,482	144
ESL-Ti-K24-S-26W-2L-F50	26W	5000K	2,848	116	3,509	146

### Ordering Guide:

<b>ESL</b>	<b>Ti</b>	<b>K24</b>	<b>S</b>	<b>26W</b>	<b>2L</b>	<b>F</b>		
ESL	TYPE	SERIES	CLASS	WATTS	Ti	LENS	KELVIN	OPTIONS
	Ti Series	K24 (2x4 Kit)	S	26W (26 Watts) 30W (30 Watts) 36W (36 Watts) 44W (44 Watts)	2L (Two Ti)	F (Frosted)	30 (3000 Kelvin) 35 (3500 Kelvin) 40 (4000 Kelvin) 50 (5000 Kelvin)	

### Alternate 2'x4' Ti Kit Options:



3L Output

4L Output

### What's Included:

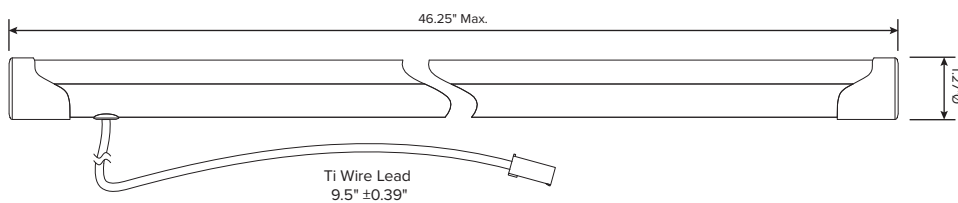
- (2) LED Ti Bars
- (1) LED Driver
- (4) Ti Clips with Rare Earth Magnets
- (8) Self Tapping Screws
- (1) UL1598C Certification Label

### Options (Add as Suffix):

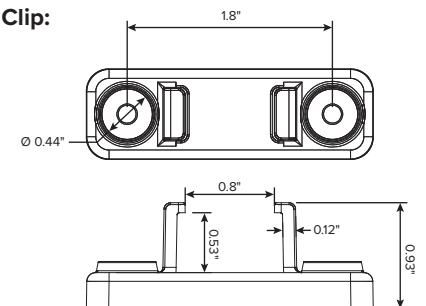
- ESL-EMG-4DC-9W (Emergency Back Up, DC, 9 Watt)

### Dimensions:

#### Ti:



#### Clip:



#### Driver:

