



# LED 2'x4' RETROFIT KIT SERIES



## Ti - K24 - 52 Watts

PAGE 1 OF 3

### Key Features & Benefits:

- DLC Listed 2x4 Troffer Retrofit Kit
- Installs in Minutes
  - Magnetic Clips
  - Hex Tek Screws
- 54 Available 2x4 Retrofit Kits
  - 24 Available 2x2 Retrofit Kits
  - 36 Available 1x4 Retrofit Kits
- 2,779 to 12,639 Troffer Kit Lumens
- 3,328 to 14,280 Linear Ambient Kit Lumens
- Long Life 80,000 Hours (L70)
  - 10 year warranty (12 hour run times)
  - 7 year warranty (24 hour run times)

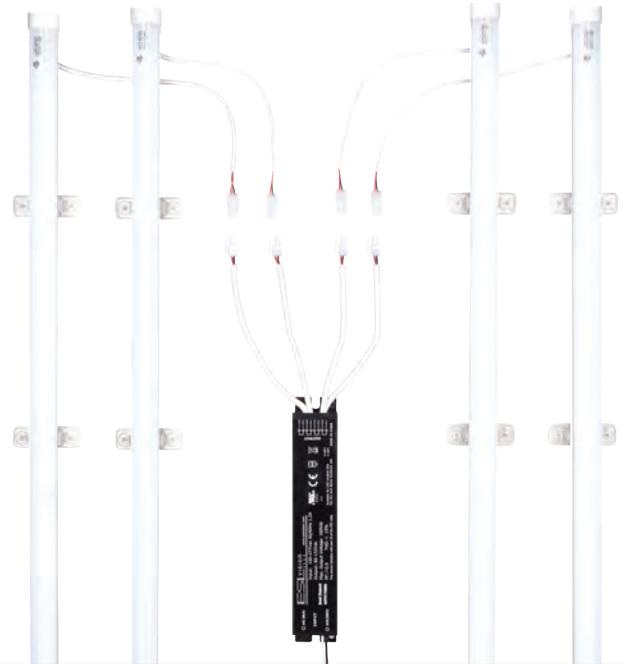


Project: \_\_\_\_\_

Date: \_\_\_\_\_

Catalog #: \_\_\_\_\_

Notes: \_\_\_\_\_



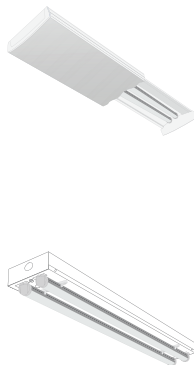
### Technical Data:

#### Light Specifications:

Linear Ambient Kit Lumens: Up to 7,020 Lumens  
 Linear Ambient Kit Efficacy (lm/W): Up to 135 Lumens per Watt  
 Troffer Kit Lumens: Up to 5,406 Lumens  
 Troffer Kit Efficacy (lm/W): Up to 117 Lumens per Watt  
 Kelvin: 3000K, 3500K, 4000K, 5000K  
 Color Rendering Index (CRI): >82  
 Rated Life: > 80,000 hrs

#### Driver Data:

Input Voltage: 120-277 VAC  
 Driver Output: Quad Output  
 Output Power: 52 Watts  
 Input Current @ 120V: 0.433 Amps  
 Input Current @ 240V: 0.217 Amps  
 Input Current @ 277V: 0.188 Amps  
 Total Harmonic Distortion (THD): <10%  
 Operating Temperature: -4 ~ 122°F



### DLC QPL Application Listing:

ITEM#	TROFFER APPLICATION
-------	---------------------

ESL-Ti-K24-S-52W-4L-F30	Linear Retrofit Kit for 2x4 Luminaires
ESL-Ti-K24-S-52W-4L-F35	Linear Retrofit Kit for 2x4 Luminaires
ESL-Ti-K24-S-52W-4L-F40	Linear Retrofit Kit for 2x4 Luminaires
ESL-Ti-K24-S-52W-4L-F50	Linear Retrofit Kit for 2x4 Luminaires

ITEM#	LINEAR AMBIENT APPLICATION
-------	----------------------------

ESL-Ti-K24-S-52W-4L-F30	Retrofit Kit for Direct Linear Ambient Luminaires
ESL-Ti-K24-S-52W-4L-F35	Retrofit Kit for Direct Linear Ambient Luminaires
ESL-Ti-K24-S-52W-4L-F40	Retrofit Kit for Direct Linear Ambient Luminaires
ESL-Ti-K24-S-52W-4L-F50	Retrofit Kit for Direct Linear Ambient Luminaires

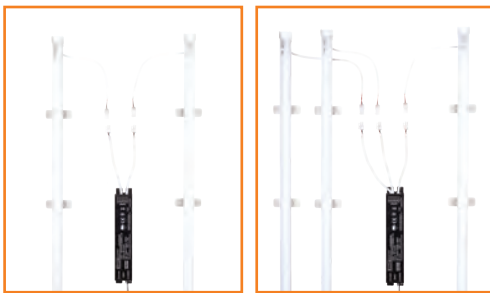
### Catalog Data:

ITEM#	WATTS	KELVIN	TROFFER KIT LUMENS	TROFFER KIT EFFICACY (lm/W)	LINEAR AMBIENT KIT LUMENS	LINEAR AMBIENT KIT EFFICACY (lm/W)
ESL-Ti-K24-S-52W-4L-F30	52W	3000K	5,289	114	6,812	131
ESL-Ti-K24-S-52W-4L-F35	52W	3500K	5,328	115	6,864	132
ESL-Ti-K24-S-52W-4L-F40	52W	4000K	5,367	116	6,916	133
ESL-Ti-K24-S-52W-4L-F50	52W	5000K	5,406	117	7,020	135

### Ordering Guide:

ESL	Ti	K24	S	52W	4L	F		
ESL	TYPE	SERIES	CLASS	WATTS	Ti	LENS	KELVIN	OPTIONS
ESL	Ti Series	K24 (2x4 Kit)	S	52W (52 Watts) 60W (60 Watts) 72W (72 Watts) 88W (88 Watts)	4L (Four Ti)	F (Frosted)	30 (3000 Kelvin) 35 (3500 Kelvin) 40 (4000 Kelvin) 50 (5000 Kelvin)	

### Alternate 2'x4' Ti Kit Options:



2L Output

3L Output

### What's Included:

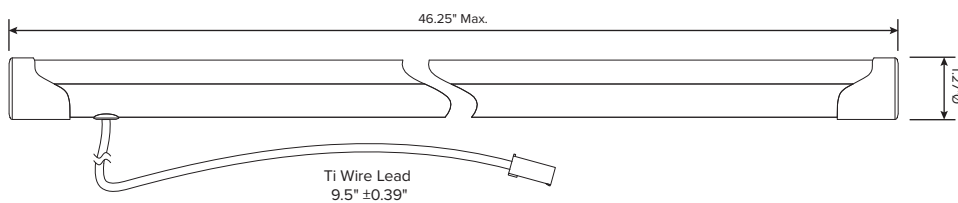
- (4) LED Ti Bars
- (1) LED Driver
- (8) Ti Clips with Rare Earth Magnets
- (16) Self Tapping Screws
- (1) UL1598C Certification Label

### Options (Add as Suffix):

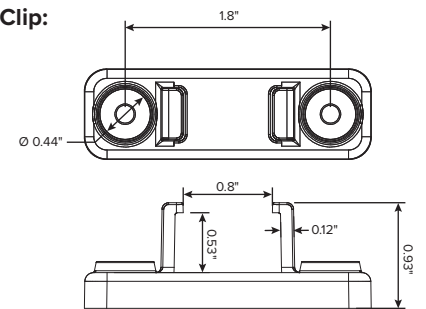
- ESL-EMG-4DC-9W (Emergency Back Up, DC, 9 Watt)

### Dimensions:

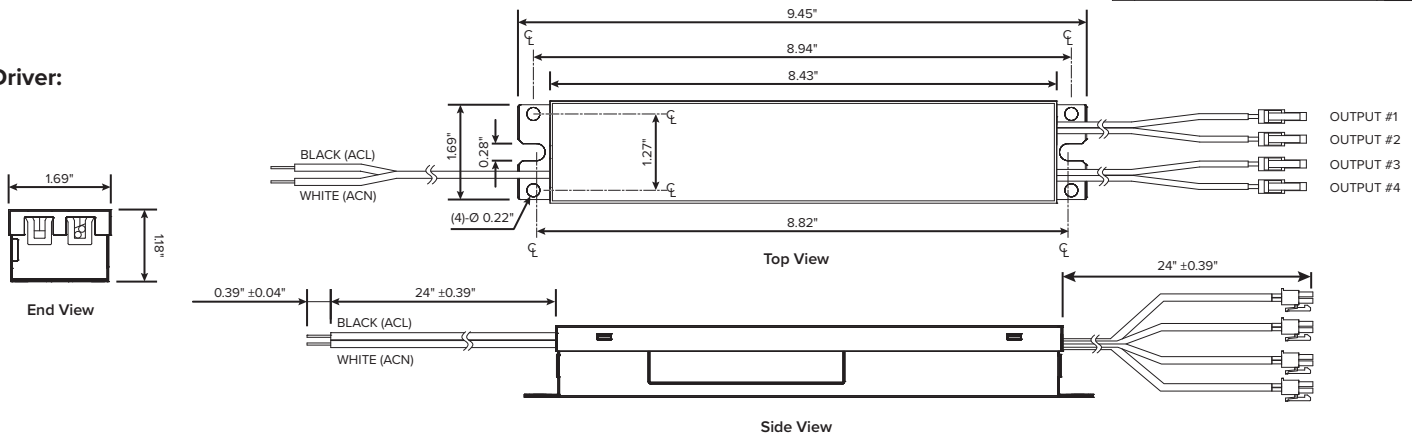
#### Ti:



#### Clip:



#### Driver:



### 2' x 2' Kits K22 SERIES

DUAL OUTPUT	PART NUMBER	WATTS	TROFFER (lm/W)*	TROFFER LUMENS*	LINEAR (lm/W)*	LINEAR LUMENS*
	ESL-Ti-K22-S-20W-2L-FXX	20	105	1,946	124	2,480
ESL-Ti-K22-S-26W-2L-FXX	26	105	2,562	122	3,172	
TRIPLE OUTPUT	PART NUMBER	WATTS	TROFFER (lm/W)*	TROFFER LUMENS*	LINEAR (lm/W)*	LINEAR LUMENS*
	ESL-Ti-K22-S-30W-3L-FXX	30	105	2,786	124	3,720
ESL-Ti-K22-S-39W-3L-FXX	39	105	3,843	123	4,797	
QUAD OUTPUT	PART NUMBER	WATTS	TROFFER (lm/W)*	TROFFER LUMENS*	LINEAR (lm/W)*	LINEAR LUMENS*
	ESL-Ti-K22-S-40W-4L-FXX	40	106	3,829	128	5,120
ESL-Ti-K22-S-52W-4L-FXX	52	108	5,332	126	6,552	

### 1' x 4' Kits K14 SERIES

SINGLE OUTPUT	PART NUMBER	WATTS	TROFFER (lm/W)*	TROFFER LUMENS*	LINEAR (lm/W)*	LINEAR LUMENS*
	ESL-Ti-K14-S-13W-1L-FXX	13	116	1,404	133	1,729
	ESL-Ti-K14-S-15W-1L-FXX	15	114	1,643	131	1,965
	ESL-Ti-K14-S-18W-1L-FXX	18	114	1,929	128	2,304
	ESL-Ti-K14-S-22W-1L-FXX	22	110	2,261	123	2,706
ESL-TiHO-K14-S-30W-1L-FYY	30	101	2,886	119	3,570	
DUAL OUTPUT	PART NUMBER	WATTS	TROFFER (lm/W)*	TROFFER LUMENS*	LINEAR (lm/W)*	LINEAR LUMENS*
	ESL-Ti-K14-S-26W-2L-FXX	26	108	2,635	132	3,432
	ESL-Ti-K14-S-30W-2L-FXX	30	104	3,157	128	3,840
	ESL-Ti-K14-S-36W-2L-FXX	36	104	3,656	126	4,536
	ESL-Ti-K14-S-44W-2L-FXX	44	100	4,310	124	5,456
	ESL-TiHO-K14-S-60W-2L-FYY	60	99	6,300	119	7,140

### 2' x 4' Kits K24 SERIES

DUAL OUTPUT	PART NUMBER	WATTS	TROFFER (lm/W)*	TROFFER LUMENS*	LINEAR (lm/W)*	LINEAR LUMENS*
	ESL-Ti-K24-S-26W-2L-FXX	26	116	2,848	132	3,432
	ESL-Ti-K24-S-30W-2L-FXX	30	120	3,348	128	3,840
	ESL-Ti-K24-S-36W-2L-FXX	36	116	3,759	126	4,536
	ESL-Ti-K24-S-44W-2L-FXX	44	109	4,757	124	5,456
ESL-TiHO-K24-S-60W-2L-FYY	60	112	6,693	119	7,140	
TRIPLE OUTPUT	PART NUMBER	WATTS	TROFFER (lm/W)*	TROFFER LUMENS*	LINEAR (lm/W)*	LINEAR LUMENS*
	ESL-Ti-K24-S-39W-3L-FXX	39	113	4,074	136	5,304
	ESL-Ti-K24-S-45W-3L-FXX	45	112	4,730	134	6,030
	ESL-Ti-K24-S-54W-3L-FXX	54	110	5,542	132	7,128
	ESL-Ti-K24-S-66W-3L-FXX	66	106	6,728	127	8,382
ESL-TiHO-K24-S-90W-3L-FYY	90	104	9,366	119	10,710	
QUAD OUTPUT	PART NUMBER	WATTS	TROFFER (lm/W)*	TROFFER LUMENS*	LINEAR (lm/W)*	LINEAR LUMENS*
	ESL-Ti-K24-S-52W-4L-FXX	52	117	5,406	135	7,020
	ESL-Ti-K24-S-60W-4L-FXX	60	112	6,721	133	7,980
	ESL-Ti-K24-S-72W-4L-FXX	72	111	7,675	131	9,432
	ESL-Ti-K24-S-88W-4L-FXX	88	109	9,224	126	11,088
ESL-TiHO-K24-S-120W-4L-FYY	120	103	12,639	119	14,280	

\* At 5000K. See spec sheets for other kelvins  
XX = 30, 35, 40, or 50 for kelvin temperature  
YY = 40 or 50 for kelvin temperature

