



LED 1'x4' RETROFIT KIT SERIES



TiHO - K14 - 60 Watts

PAGE 1 OF 2

Key Features & Benefits:

- DLC Listed 1x4 Troffer Retrofit Kit
- Installs in Minutes
 - Magnetic Clips
 - Hex Tek Screws
- 36 Available 1x4 Retrofit Kits
 - 24 Available 2x2 Retrofit Kits
 - 54 Available 2x4 Retrofit Kits
- 1,379 to 6,300 Troffer Kit Lumens
- 1,690 to 7,140 Linear Ambient Kit Lumens
- Long Life 80,000 Hours (L70)
 - 10 year warranty (12 hour run times)
 - 7 year warranty (24 hour run times)

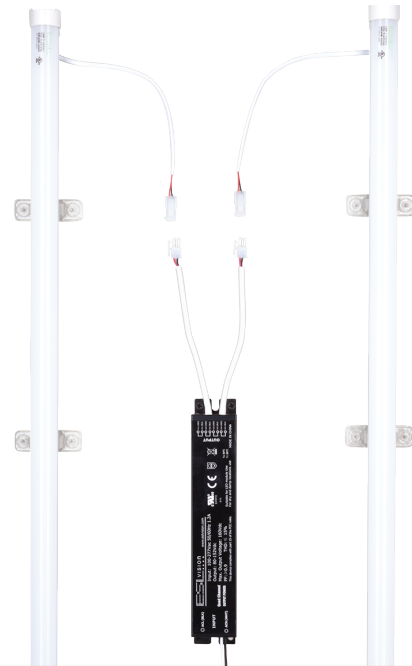


Project: _____

Date: _____

Catalog #: _____

Notes: _____



Technical Data:

Light Specifications:

Linear Ambient Kit Lumens: Up to 8,309 Lumens
 Linear Ambient Kit Efficacy (lm/W): Up to 139 Lumens per Watt
 Troffer Kit Lumens: Up to 8,309 Lumens
 Troffer Kit Efficacy (lm/W): Up to 139 Lumens per Watt
 Kelvin: 3000K, 3500K, 4000K, 5000K
 Color Rendering Index (CRI): >82
 Rated Life: > 80,000 hrs

Driver Data:

Input Voltage: 120-277 VAC
 Driver Output: Dual Output
 Output Power: 60 Watts
 Input Current @ 120V: 0.5 Amps
 Input Current @ 240V: 0.25 Amps
 Input Current @ 277V: 0.217 Amps
 Total Harmonic Distortion (THD): <10%
 Operating Temperature: -4 ~ 122°F



Application Listing:

ITEM #	TROFFER APPLICATION
--------	---------------------

ESL-TiHO-K14-S-60W-2L-F40 Linear Retrofit Kit for 1x4 Luminaires
 ESL-TiHO-K14-S-60W-2L-F50 Linear Retrofit Kit for 1x4 Luminaires

ITEM #	LINEAR AMBIENT APPLICATION
--------	----------------------------

ESL-TiHO-K14-S-60W-2L-F40 Retrofit Kit for Direct Linear Ambient Luminaires
 ESL-TiHO-K14-S-60W-2L-F50 Retrofit Kit for Direct Linear Ambient Luminaires

Catalog Data:

ITEM #	WATTS	KELVIN	TROFFER KIT LUMENS	TROFFER KIT EFFICACY (lm/W)	LINEAR AMBIENT KIT LUMENS	LINEAR AMBIENT KIT EFFICACY (lm/W)
ESL-TiHO-K14-S-60W-2L-F40	60W	4000K	8,247	138	8,247	138
ESL-TiHO-K14-S-60W-2L-F50	60W	5000K	8,309	139	8,309	139

Ordering Guide:

ESL	TiHO	K14	S	60W	2L	F		
ESL	TYPE	SERIES	CLASS	WATTS	Ti	LENS	KELVIN	OPTIONS
	TiHO Series	K14 (1x4 Kit)	S	60W (60 Watts)	2L (Two Ti)	F (Frosted)	40 (4000 Kelvin) 50 (5000 Kelvin)	

Alternate 1'x4' TiHO Kit Options:



1L Output

What's Included:

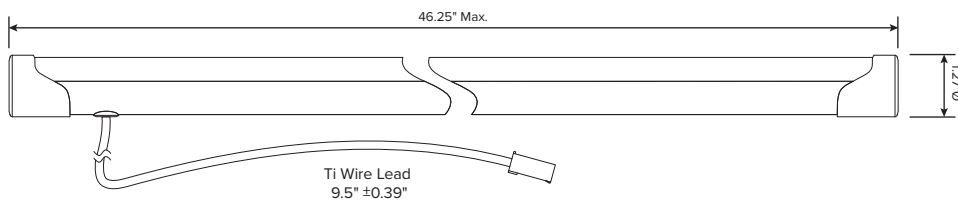
- (2) LED Ti Bars
- (1) LED Driver
- (4) Ti Clips with Rare Earth Magnets
- (8) Self Tapping Screws
- (1) UL1598C Certification Label

Options (Add as Suffix):

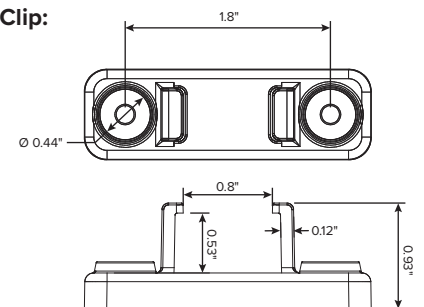
- ESL-EMG-4DC-9W (Emergency Back Up, DC, 9 Watt)

Dimensions:

Ti:



Clip:



Driver:

