



# LED 2'x4' RETROFIT KIT SERIES



## TiHO - K24 - 120 Watts

PAGE 1 OF 2

### Key Features & Benefits:

- DLC Listed 2x4 Troffer Retrofit Kit
- Installs in Minutes
  - Magnetic Clips
  - Hex Tek Screws
- 54 Available 2x4 Retrofit Kits
  - 24 Available 2x2 Retrofit Kits
  - 36 Available 1x4 Retrofit Kits
- 2,779 to 12,639 Troffer Kit Lumens
- 3,328 to 14,280 Linear Ambient Kit Lumens
- Long Life 80,000 Hours (L70)
  - 10 year warranty (12 hour run times)
  - 7 year warranty (24 hour run times)

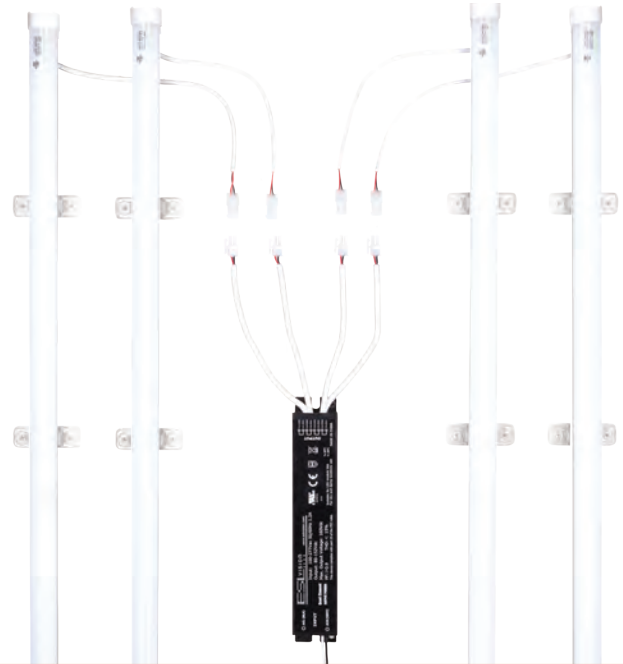


Project: \_\_\_\_\_

Date: \_\_\_\_\_

Catalog #: \_\_\_\_\_

Notes: \_\_\_\_\_



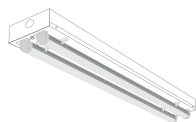
### Technical Data:

#### Light Specifications:

Linear Ambient Kit Lumens: Up to 17,028 Lumens  
 Linear Ambient Kit Efficacy (lm/W): Up to 139 Lumens per Watt  
 Troffer Kit Lumens: Up to 12,639 Lumens  
 Troffer Kit Efficacy (lm/W): Up to 103 Lumens per Watt  
 Kelvin: 4000K, 5000K  
 Color Rendering Index (CRI): >82  
 Rated Life: > 80,000 hrs

#### Driver Data:

Input Voltage: 120-277 VAC  
 Driver Output: Quad Output  
 Output Power: 120 Watts  
 Input Current @ 120V: 1.0 Amps  
 Input Current @ 240V: 0.5 Amps  
 Input Current @ 277V: 0.433 Amps  
 Total Harmonic Distortion (THD): <10%  
 Operating Temperature: -4 ~ 122°F



### Application Listing:

ITEM#	TROFFER APPLICATION
-------	---------------------

ESL-TiHO-K24-S-120W-4L-F40 Linear Retrofit Kit for 2x4 Luminaires  
 ESL-TiHO-K24-S-120W-4L-F50 Linear Retrofit Kit for 2x4 Luminaires

ITEM#	LINEAR AMBIENT APPLICATION
-------	----------------------------

ESL-TiHO-K24-S-120W-4L-F40 Retrofit Kit for Direct Linear Ambient Luminaires  
 ESL-TiHO-K24-S-120W-4L-F50 Retrofit Kit for Direct Linear Ambient Luminaires

### Catalog Data:

ITEM#	WATTS	KELVIN	TROFFER KIT LUMENS	TROFFER KIT EFFICACY (lm/W)	LINEAR AMBIENT KIT LUMENS	LINEAR AMBIENT KIT EFFICACY (lm/W)
ESL-TiHO-K24-S-120W-4L-F40	120W	4000K	12,404	101	16,899	138
ESL-TiHO-K24-S-120W-4L-F50	120W	5000K	12,639	103	17,028	139

### Ordering Guide:

<b>ESL</b>	<b>TiHO</b>	<b>K24</b>	<b>S</b>	<b>120W</b>	<b>4L</b>	<b>F</b>		
ESL	TYPE	SERIES	CLASS	WATTS	Ti	LENS	KELVIN	OPTIONS
	TiHO Series	K24 (2x4 Kit)	S	120W (120 Watts)	4L (Four Ti)	F (Frosted)	40 (4000 Kelvin) 50 (5000 Kelvin)	

### Alternate 2'x4' Ti Kit Options:



2L Output

3L Output

### What's Included:

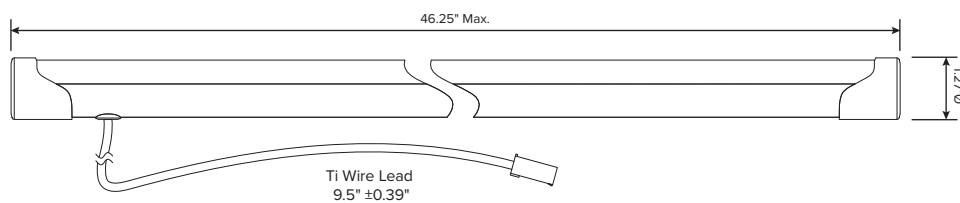
- (4) LED Ti Bars
- (1) LED Driver
- (8) Ti Clips with Rare Earth Magnets
- (16) Self Tapping Screws
- (1) UL1598C Certification Label

### Options (Add as Suffix):

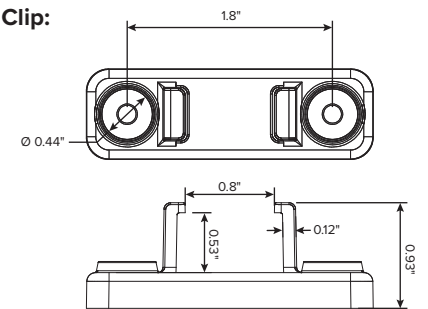
- ESL-EMG-4DC-9W (Emergency Back Up, DC, 9 Watt)

### Dimensions:

#### Ti:



#### Clip:



#### Driver:

