



HIGH OUTPUT FLOOD LIGHT SERIES

OUTDOOR FIXTURE





RUGGED CONSTRUCTION

- Cast Aluminum Housing
- Weather-tight Seal with Continuous Gasket
- Dark Bronze Polyester Powder Coat Finish
- IK08 Impact-Resistant Rated



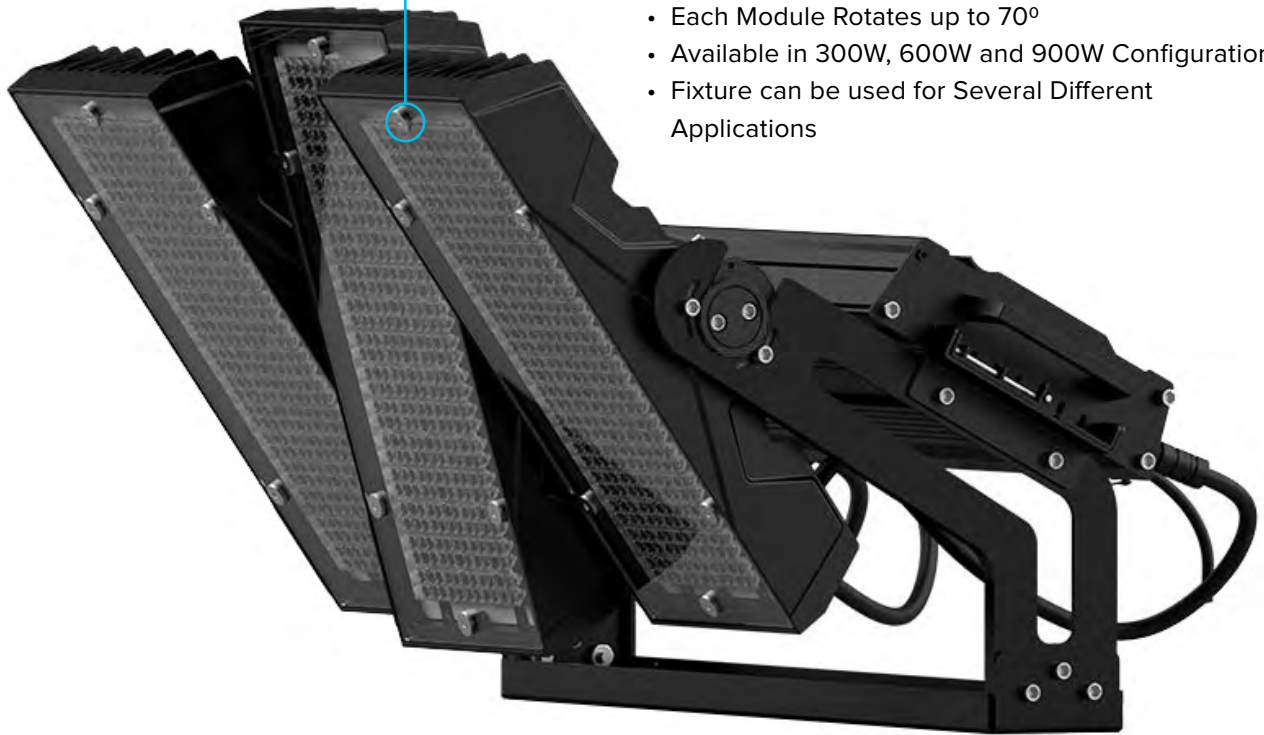
OPTICS

- Impact Resistant, UV Stabilized Polycarbonate Lens
- Molded Prismatic Design for Uniform Coverage
- Four Beam Angles Available
- Available in 4000K and 5000K
- Up to 117,000 Lumen Output
- 0-10v Dimmable



MODULAR DESIGN

- Adjustable Lighting Angles for Precise Coverage
- Each Module Rotates up to 70°
- Available in 300W, 600W and 900W Configurations
- Fixture can be used for Several Different Applications

**PROTECTION FROM ELEMENTS**

- IP66 and NEMA 4X Rated for Outdoor Use
- Radiating Fins Improve Airflow and Prevent Water Accumulation
- Each Module Equipped with Respirator to Prevent Water Ingress
- Redundant Internal 10kA Surge Protective Device

**MOUNTING & CONNECTION**

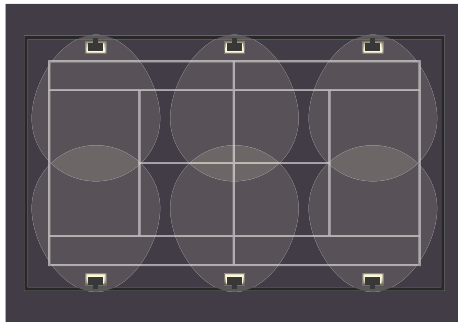
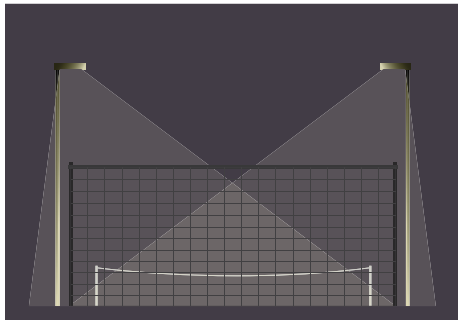
- Standard Mounting Compatible
- Optional Remote Driver Mounting for Easier Access
- Only One Tool Required for Installation
- 6mm Hexagonal Screwdriver
- Compatible with Networked Lighting Control Qualified Systems

PRODUCT DETAILS

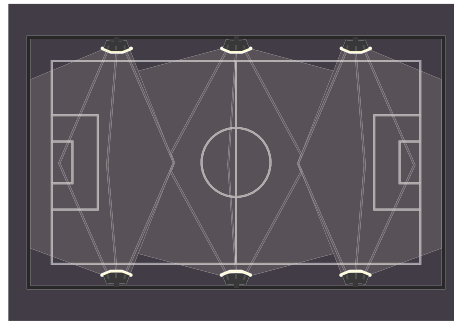
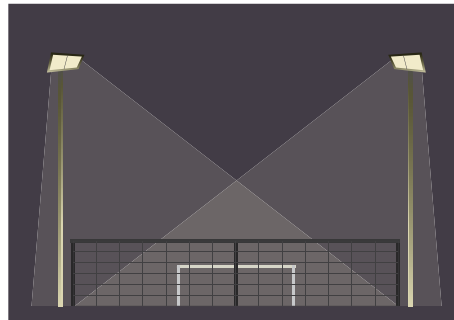
EFFICIENT LIGHT DISTRIBUTION

Big areas need big light. Older high-wattage lighting demands high energy usage, but ESL Vision's High Output Flood Light series shines bright more efficiently, and at the appropriate levels thanks to the 300W, 600W and 900W options. All this flexibility makes the High Output Flood Light Series the perfect solution for numerous uses.

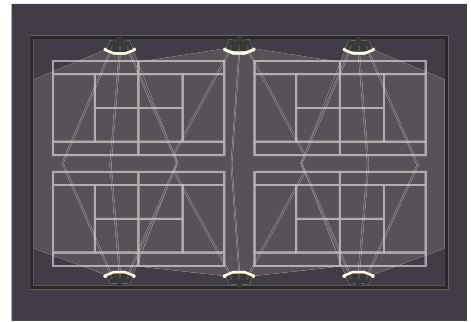
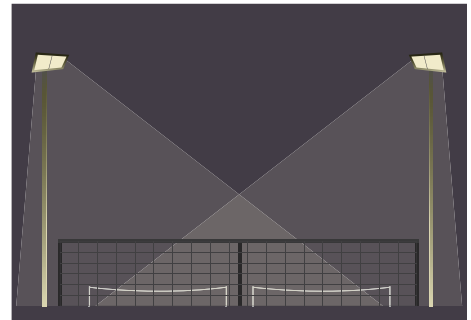
TENNIS COURT



FOOTBALL/SOCCER FIELD



TENNIS COMPLEX



BEAM ANGLES & GLARE REDUCTION

Regardless of the area size, the flexibility of the modular design coupled with the four available beam angle options means the right amount of light shines on the right areas. Delivering up to 117,000 lumens also means both active participants and spectators won't miss a thing.

With the ability to rotate on its vertical axis up to 70°, the High Output Flood Light series can be precisely positioned to reduce glare and light spillage. Reducing glare provides a more pleasant spectator experience and contributes to a safer environment in commercial and industrial applications.

L33 - 3HX3V



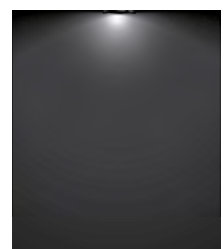
L44 - 4HX4V



L55 - 5HX5V



L67 - 6HX7V



APPLICATIONS

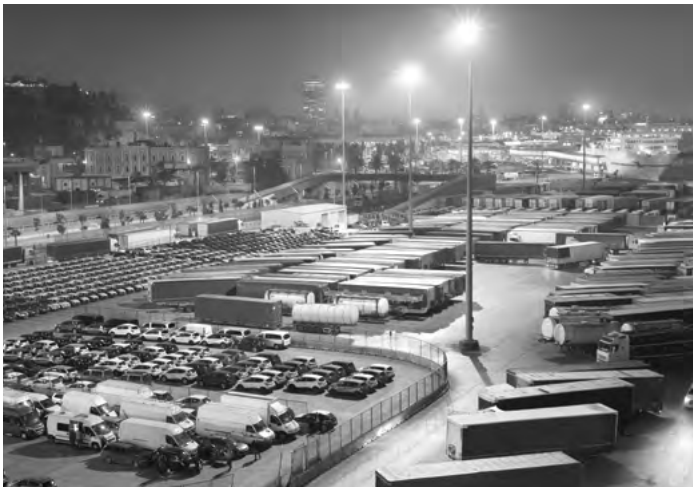
The High Output Flood Light is designed for any big area that needs big light. From sports venues to industrial applications, and from airports to truck yards, any large project will benefit from the efficiency and quality of ESL Vision's LED lighting.



SPORTS VENUES



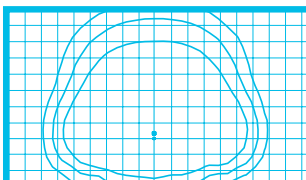
INDUSTRIAL AREAS



PARKING LOTS / YARDS



AIRPORTS

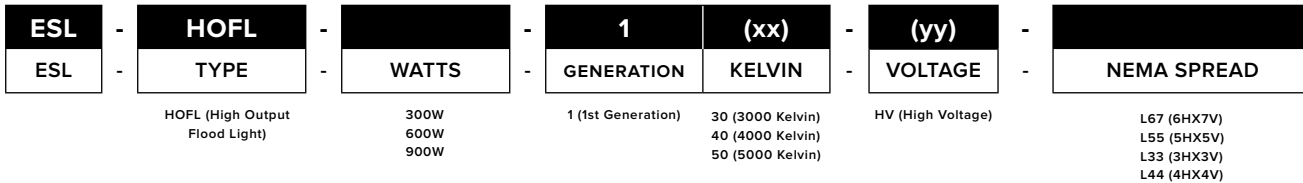


**FREE
LIGHTING
LAYOUT
DESIGN**

Let our lighting design engineers help create custom lighting layouts and recommendations for your project **FREE OF CHARGE**.

ORDERING GUIDE

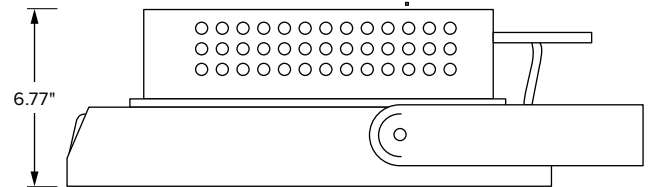
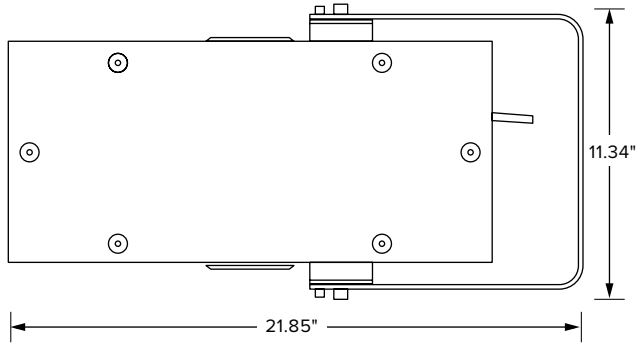
Example Part Number: **ESL-HOFL-300W-140-HV-L67**



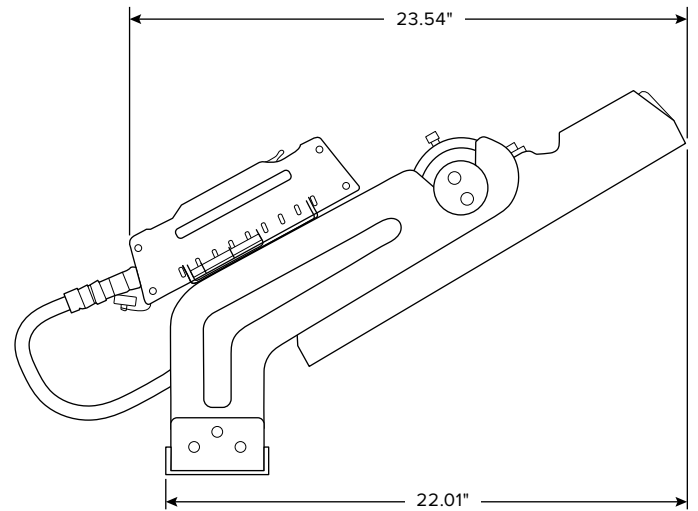
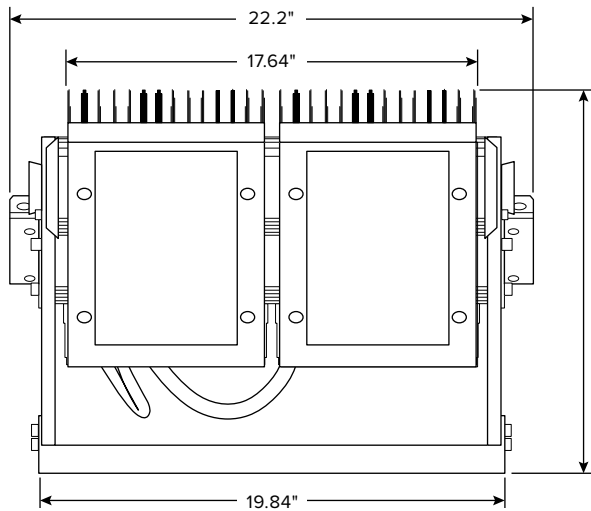
| | PRODUCTS | MAX lm/W | MAX LUMENS | AVAILABLE KELVIN (xx) | AVAILABLE VOLTAGE (yy) | NEMA SPREAD |
|---------------------|--------------------------|-------------|---------------|--|---|---------------------|
| 300 WATT | ESL-HOFL-300W-1xx-yy-L67 | 120 | 38,455 | 3000K (30) 4000K (40) 5000K (50) | 100-277V (Leave Blank) 277-480V (HV) | L67 6HX7V |
| | ESL-HOFL-300W-1xx-yy-L55 | 124 | 39,590 | 3000K (30) 4000K (40) 5000K (50) | 100-277V (Leave Blank) 277-480V (HV) | L55 5HX5V |
| | ESL-HOFL-300W-1xx-yy-L33 | 131 | 41,940 | 3000K (30) 4000K (40) 5000K (50) | 100-277V (Leave Blank) 277-480V (HV) | L33 3HX3V |
| | ESL-HOFL-300W-1xx-yy-L44 | 127 | 40,720 | 3000K (30) 4000K (40) 5000K (50) | 100-277V (Leave Blank) 277-480V (HV) | L44 4HX4V |
| 600 WATT | ESL-HOFL-600W-1xx-yy-L67 | 117 | 72,860 | 3000K (30) 4000K (40) 5000K (50) | 100-277V (Leave Blank) 277-480V (HV) | L67 6HX7V |
| | ESL-HOFL-600W-1xx-yy-L55 | 121 | 75,005 | 3000K (30) 4000K (40) 5000K (50) | 100-277V (Leave Blank) 277-480V (HV) | L55 5HX5V |
| | ESL-HOFL-600W-1xx-yy-L33 | 128 | 79,455 | 3000K (30) 4000K (40) 5000K (50) | 100-277V (Leave Blank) 277-480V (HV) | L33 3HX3V |
| | ESL-HOFL-600W-1xx-yy-L44 | 124 | 77,150 | 3000K (30) 4000K (40) 5000K (50) | 100-277V (Leave Blank) 277-480V (HV) | L44 4HX4V |
| 900 WATT | ESL-HOFL-900W-1xx-yy-L67 | 118 | 107,365 | 3000K (30) 4000K (40) 5000K (50) | 100-277V (Leave Blank) 277-480V (HV) | L67 6HX7V |
| | ESL-HOFL-900W-1xx-yy-L55 | 122 | 110,525 | 3000K (30) 4000K (40) 5000K (50) | 100-277V (Leave Blank) 277-480V (HV) | L55 5HX5V |
| | ESL-HOFL-900W-1xx-yy-L33 | 129 | 117,080 | 3000K (30) 4000K (40) 5000K (50) | 100-277V (Leave Blank) 277-480V (HV) | L33 3HX3V |
| | ESL-HOFL-900W-1xx-yy-L44 | 125 | 113,685 | 3000K (30) 4000K (40) 5000K (50) | 100-277V (Leave Blank) 277-480V (HV) | L44 4HX4V |

PRODUCT DIMENSIONS

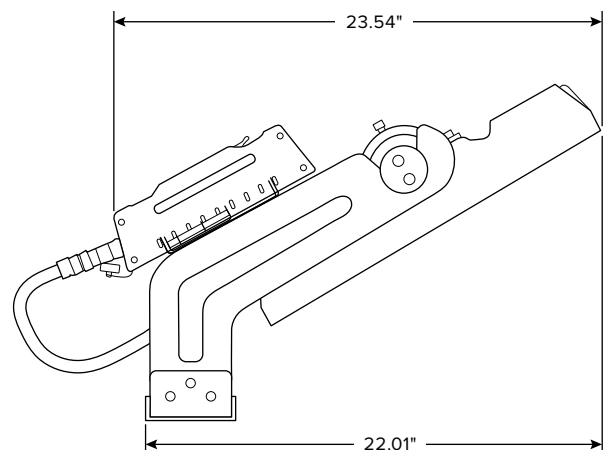
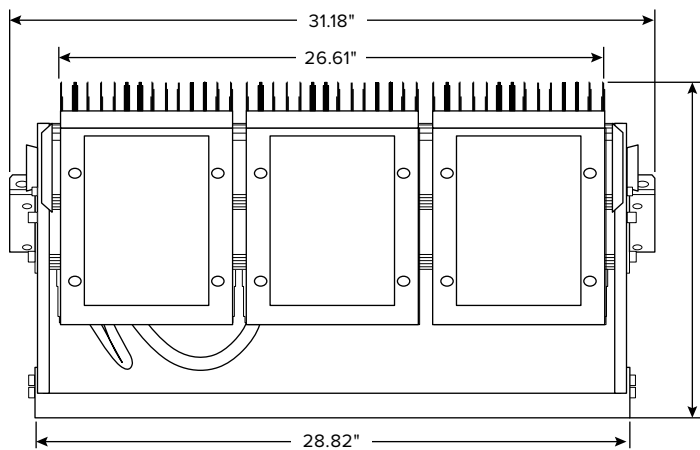
300 WATT



600 WATT



900 WATT





WWW.ESLVISION.COM
888.493.5559

Questions or Comments
www.eslvision.com
customerservice@eslvision.com
ESL Vision, LLC
1136 S 3600 W
Salt Lake City, UT, USA
Catalog# HOFL-2019