



# MINI FLOOD LIGHT SERIES

MFL SERIES - OUTDOOR LED FIXTURES



## FEATURES & BENEFITS



### BIG LIGHT IN A SMALL PACKAGE

- Up to 5,400 Lumen Output
- Up to 120 lm/W
- 15W, 30W and 45W Options
- Use for Accent or Flood Lighting

### SOLID CONSTRUCTION

- Rugged Cast Aluminum Housing
- Polyester Powder Coat Finish
- Vented One-Piece Housing
- 50,000 Hour Life Span

### CAN BE INSTALLED JUST ABOUT ANYWHERE

- Small and Compact Design
- Knuckle or Trunnion Mounting
- Suitable for Wet Locations - IP66 Rated
- Residential or Commercial Applications



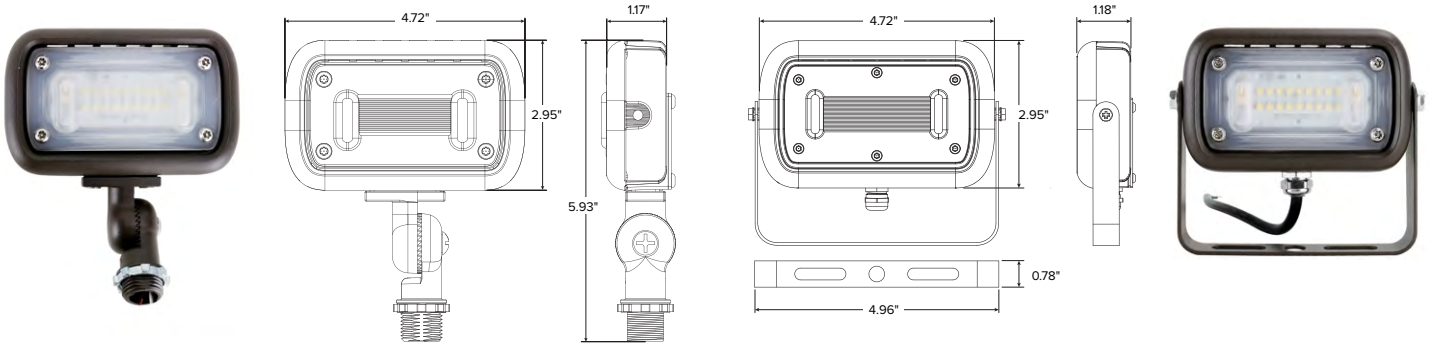
\*Not All Part Numbers DLC Qualified. For a Complete Listing Please Consult the DLC Qualified Products List (GPL).

ORDERING GUIDE & SPECS

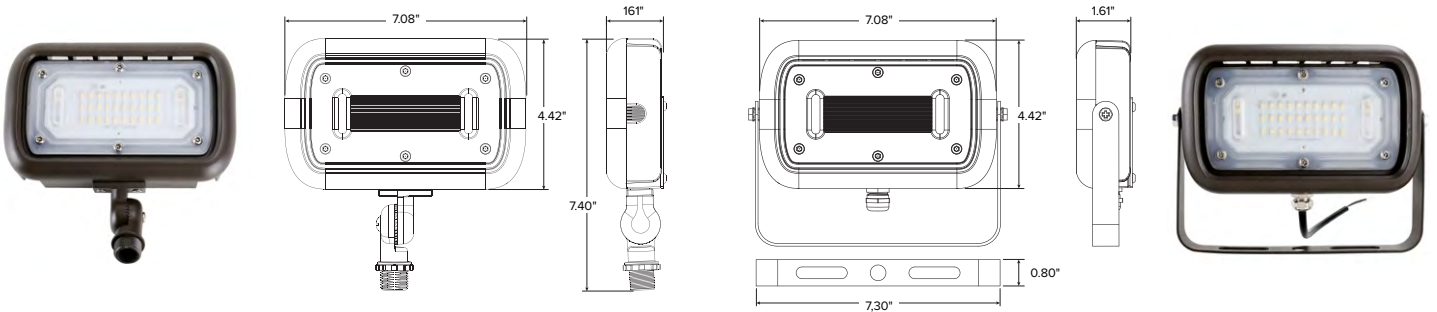
ESL	-	MFL	-		-	1	-	(xx)	-	(yy)
ESL	-	TYPE	-	WATTS	-	GENERATION	-	KELVIN	-	MOUNTING

	SERIES	PART NUMBER	MAX lm/W	LUMENS RANGE PER LAMP	AVAILABLE KELVIN (xx)	AVAILABLE MOUNTING (yy)
<b>15 WATT</b>	MFL	ESL-MFL-15W-1xx-yy	100	1,500	4000K (40) 5000K (50)	KNUCKLE (KM) TRUNNION (TM)
<b>30 WATT</b>	MFL	ESL-MFL-30W-1xx-yy	100	3,000	4000K (40) 5000K (50)	KNUCKLE (KM) TRUNNION (TM)
<b>45 WATT</b>	MFL	ESL-MFL-45W-1xx-yy	120	5,400	4000K (40) 5000K (50)	KNUCKLE (KM) TRUNNION (TM)

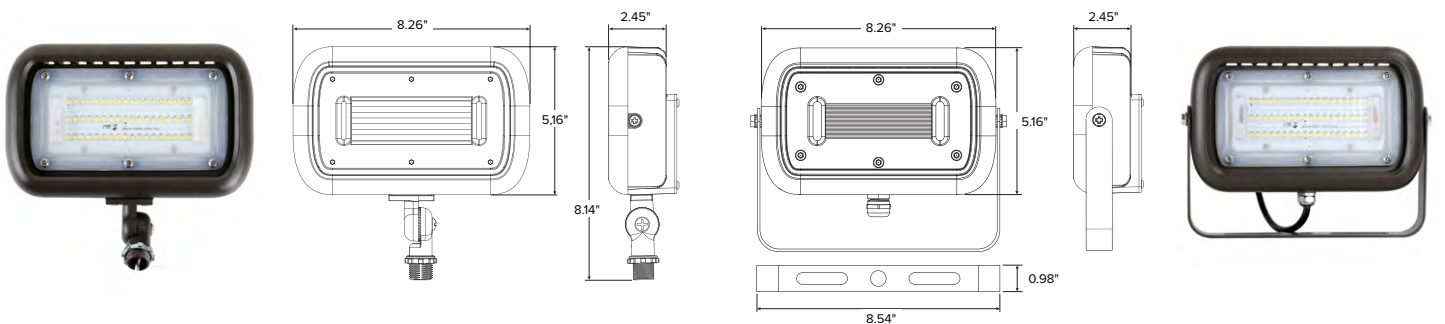
15 WATT



30 WATT



45 WATT





**WWW.ESLVISION.COM**

**888.493.5559**

Headquarters  
1136 S 3600 W  
Salt Lake City, UT, USA

Atlanta  
6371 Corley Road  
Norcross, GA, USA