

⚠ WARNING

- To reduce the risk of death, personal injury or property damage from fire, electric shock, falling parts, cuts/abrasions, and other hazards read all warnings and instructions included with and on the fixture box and all fixture labels.
- Before installing, servicing, or performing routine maintenance upon this equipment, follow these general precautions.
- Commercial installation, service and maintenance of luminaires should be performed by a qualified licensed electrician.
- If you are unsure about the installation or maintenance of the luminaires, consult a qualified licensed electrician and check your local electrical code.
- To prevent wiring damage or abrasion, do not expose wiring to edges of sheet metal or other sharp objects.
- Do not make or alter any open holes in an enclosure of wiring or electrical components during kit installation.
- Turn off electrical power at fuse or circuit breaker box before wiring fixture to the power supply.
- Turn off the power when you perform any maintenance.
- Verify that supply voltage is correct by comparing it with the luminaire label information.
- All wiring connections should be capped with UL approved wire connectors.

⚠ CAUTION

- Avoid direct eye exposure to the light source while it is on.
- Account for small parts and destroy packing material, as these may be hazardous to children.
- Risk of burn. Disconnect power and allow fixture to cool before changing bulb or handing fixture.

NOTICE: Green ground screw provided in proper location. Do not relocate.

NOTICE: Minimum 90° supply conductors.

NOTICE: Specifications and dimensions subject to change without notice.

NOTICE: Suitable for Dry or Damp location.

NOTICE: For more information on commissioning please see the **ESL MOBILE APP OVERVIEW** guide.

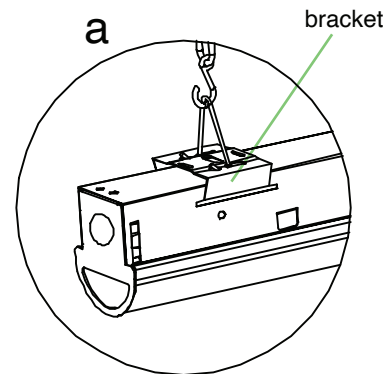
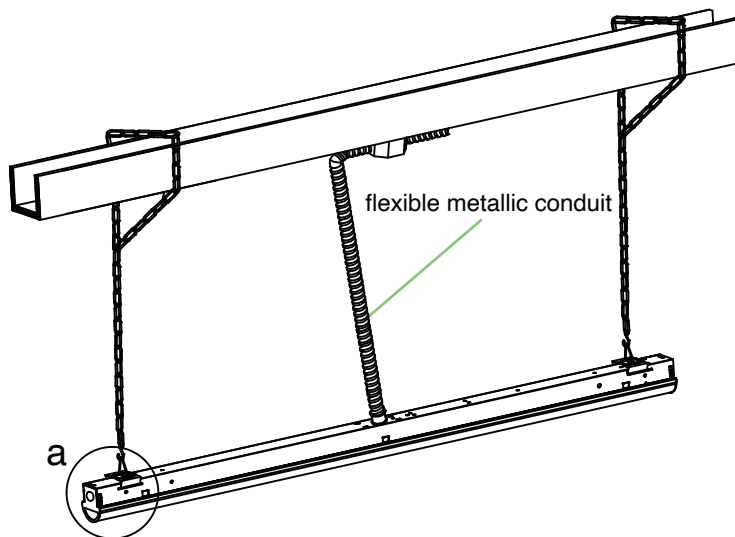
General Wiring Diagram



Installation Instructions

A: Chain Suspended Mounting

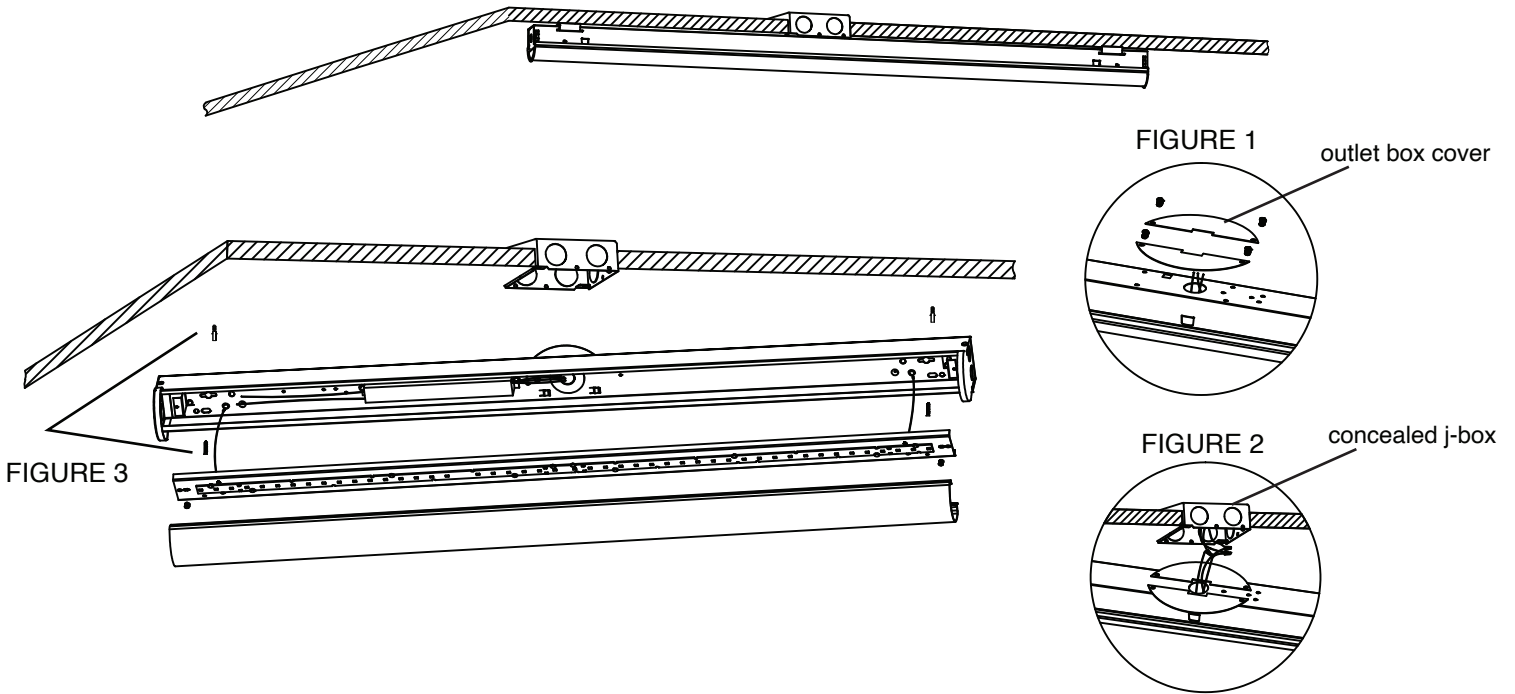
- Step 1:** Clip the brackets to the slots of fixture.
- Step 2:** Attach customer supplied V-Hooks to brackets.
- Step 3:** Attach customer supplied chain to the V-hooks and mounting surface.



Installation Instructions (cont.)

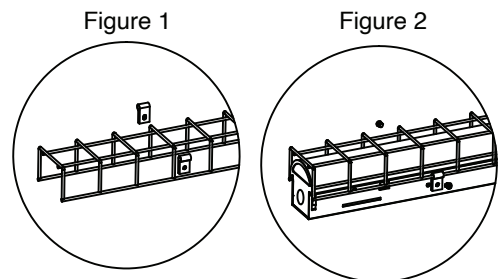
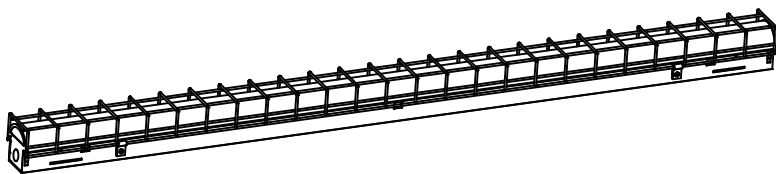
B: Surface Mounting

- Step 1:** Secure the provided brackets onto the ceiling by using the provided accessories and screws.
- Step 2:** Screw the covers at the outlet of the back of the housing. (Figure 1).
- Step 3:** Wire to main power through the junction box. (figure 2).
- Step 4:** Secure fixture to mounting surface by inserting customer supplied #8 anchor screws, toggle bolts or suitable fasteners depending on mounting surface material. (figure 3).



Wire Guards

- Step 1:** Insert the provided chips(4 pcs) onto the wire guard. (fig 1).
- Step 2:** Fasten the chips by drilling screws into the pre-punched holes of fixture body. (fig 2).

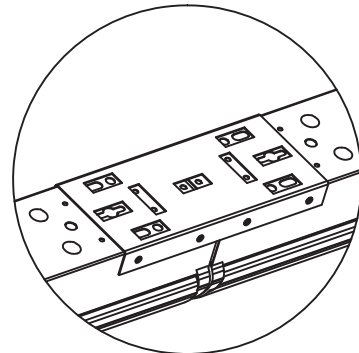
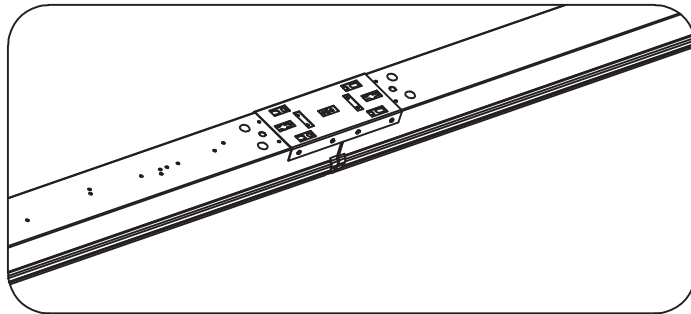
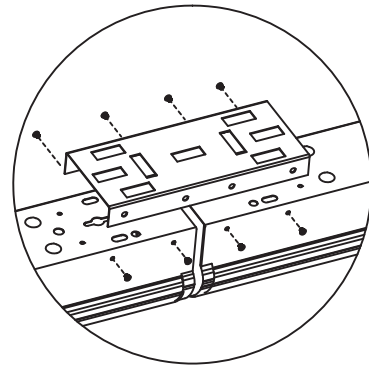
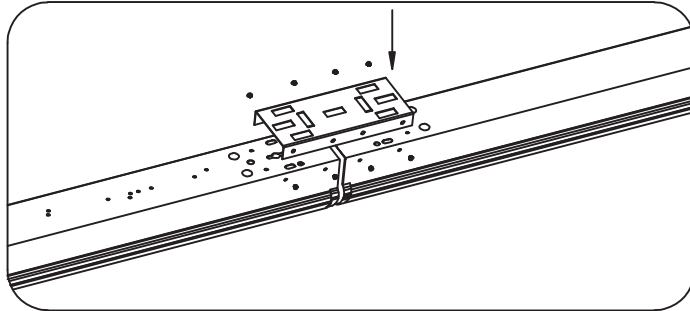


Continuous Run Connection Piece

ESL-SPE-900-CRA

Step 1: Screw the connector to the end of the luminaires.

Step 2: After connecting fixtures together, refer to Page 1 & 2 for installation methods.



ESL-SPE-900-CRA Dimensions

