

⚠ WARNING

- To reduce the risk of death, personal injury or property damage from fire, electric shock, falling parts, cuts/abrasions, and other hazards read all warnings and instructions included with and on the fixture box and all fixture labels.
- Before installing, servicing, or performing routine maintenance upon this equipment, follow these general precautions.
- Commercial installation, service and maintenance of luminaires should be performed by a qualified licensed electrician.
- If you are unsure about the installation or maintenance of the luminaires, consult a qualified licensed electrician and check your local electrical code.
- To prevent wiring damage or abrasion, do not expose wiring to edges of sheet metal or other sharp objects.
- Do not make or alter any open holes in an enclosure of wiring or electrical components during kit installation.
- Turn off electrical power at fuse or circuit breaker box before wiring fixture to the power supply.
- Turn off the power when you perform any maintenance.
- Verify that supply voltage is correct by comparing it with the luminaire label information.
- All wiring connections should be capped with UL approved wire connectors.

⚠ CAUTION

- Avoid direct eye exposure to the light source while it is on.
- Account for small parts and destroy packing material, as these may be hazardous to children.
- Risk of burn. Disconnect power and allow fixture to cool before changing bulb or handing fixture.

NOTICE: Green ground screw provided in proper location. Do not relocate.

NOTICE: Minimum 90° supply conductors.

NOTICE: Specifications and dimensions subject to change without notice.

NOTICE: Suitable for Dry or Damp location.

General Wiring Diagram



Installation Instructions

A: Chain Suspended Mounting

Step 1: Mount V-hooks to the luminaire (see.Fig 1).

Step 2: Mount plastic trims to the lens (see.Fig 2).

Step 3: Install the lens by hanging from end plate pins of the luminaire and rotate into position. Flex the lens to engage end plate pins on opposite side of the luminaire. (see.Fig 3,4).

Step 4: Connect the wires to the AC power grounding leads, Make sure the wires to be inclosed into the flexible metallic conduit.

Figure 1:

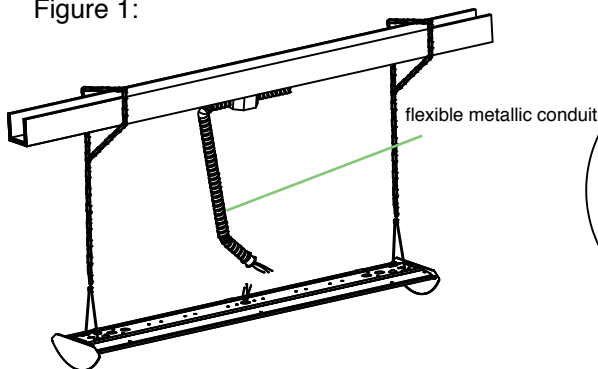


Figure 2:

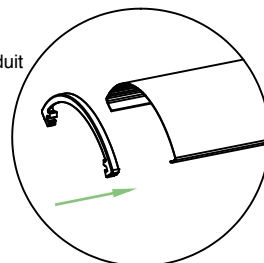
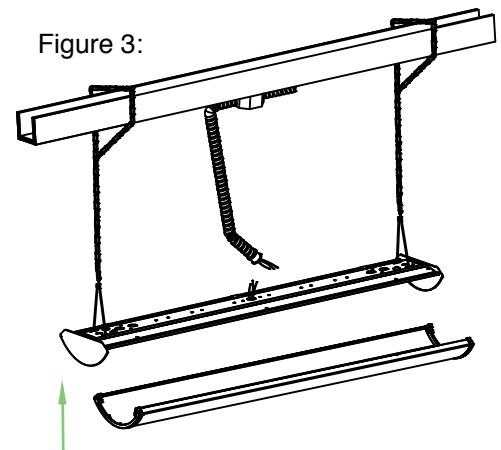
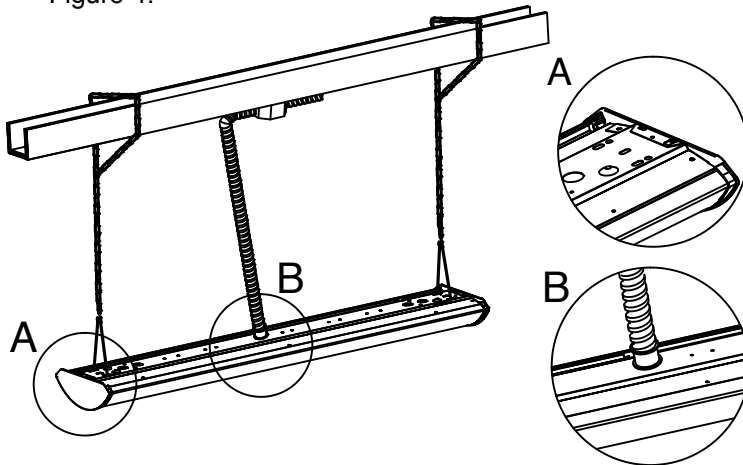


Figure 3:



Installation Instructions (cont.)

Figure 4:



B: Surface Mounting

- Step 1:** Remove product from packaging.
- Step 2:** Remove the lens and Led module plate.
- Step 3:** For mounting, using the provided mounting holes on each end of the fixture housing. Mount per required application, Appropriate hardware should be used (supplied by others).
- Step 4:** Make electrical connections according to code.
- Step 5:** Install Led module plate and lens.

