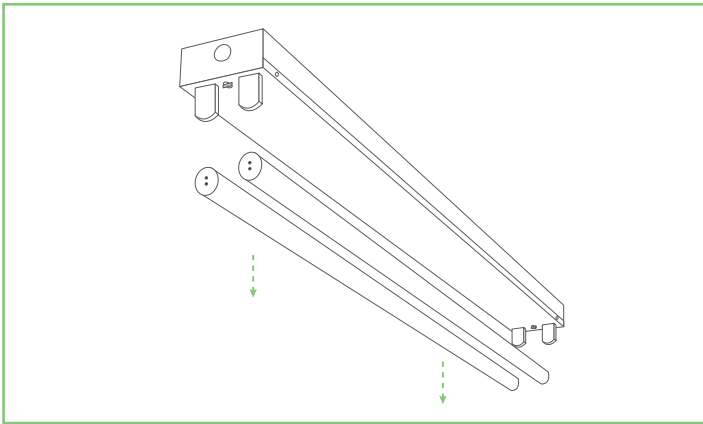


**WARNING**

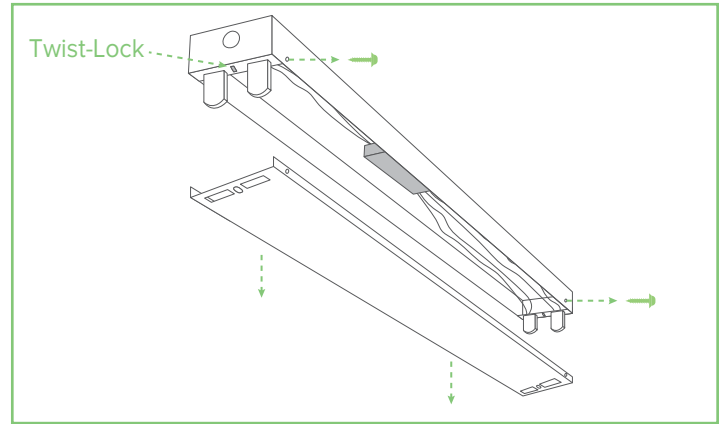
1. To avoid electric shock, disconnect power at source prior to installation.
2. The installation should be performed by qualified electricians or lighting technicians.
3. Before conducting any installation, maintenance, or removal, disable all power to the luminaries and wait until the fixture cools down.
4. Do not touch the fixture while it is in service.
5. If there is any problem with the fixture, turn off power and DO NOT attempt repair unless you are a qualified electrician.



**STEP 1:**

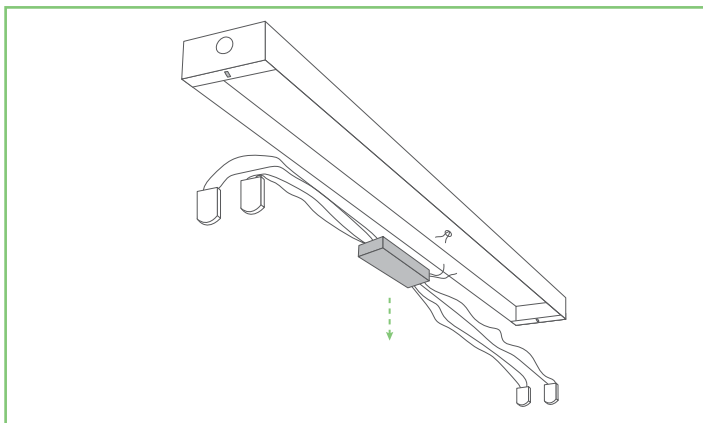
Remove existing fluorescent lamps.

USE EXTREME CAUTION as lamps will be EXTREMELY hot.



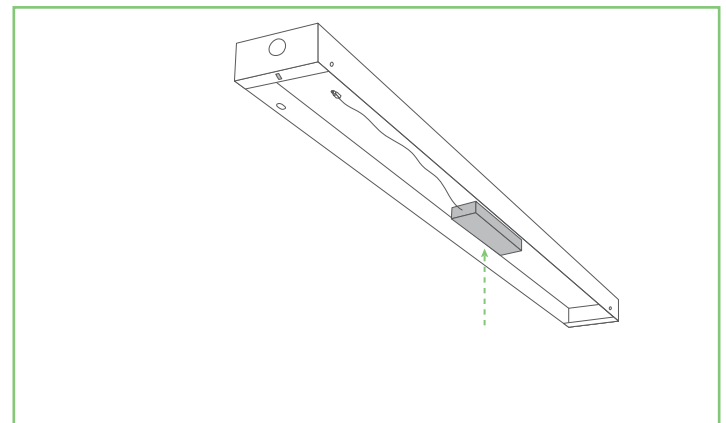
**STEP 2:**

Remove existing strip fixture plate.



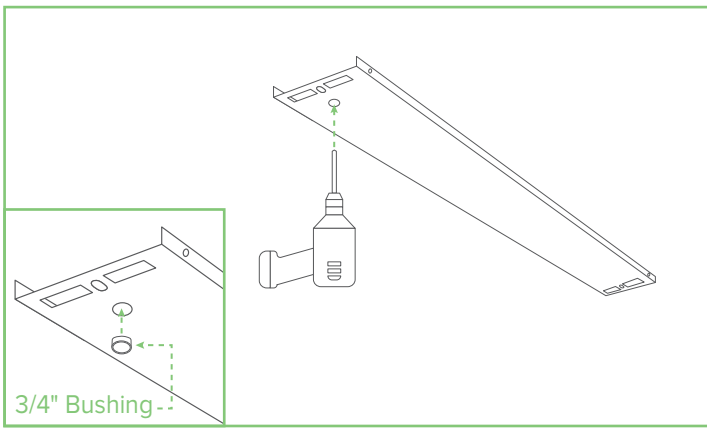
**STEP 3:**

Disconnect old ballast from AC and remove the ballast and tombstones.



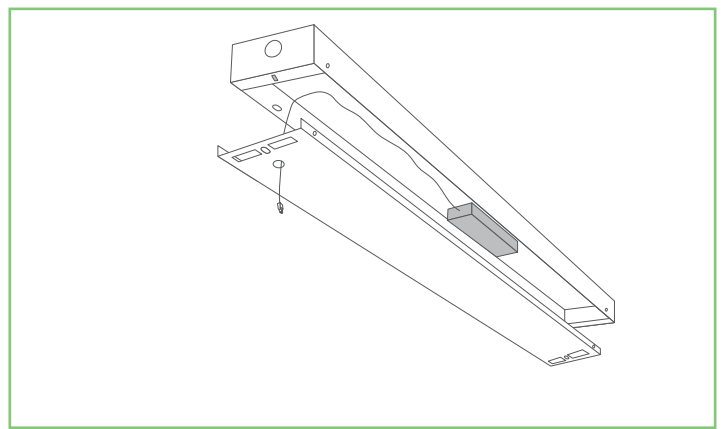
**STEP 4:**

Place driver in location of ballast.



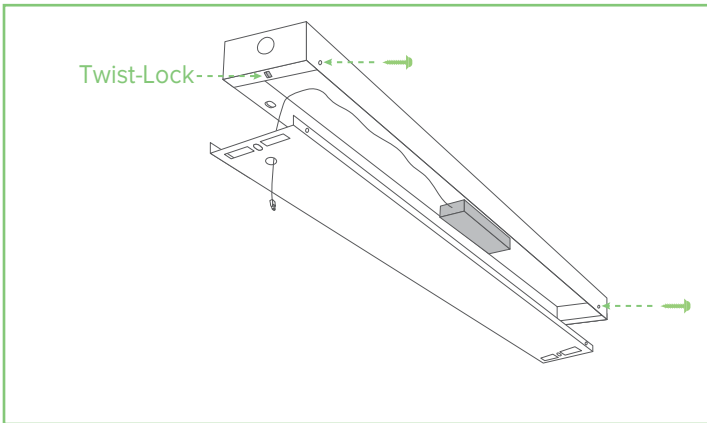
**STEP 5:**

Drill a 3/4 inch hole in the fixture close to where the tombstones were. Place bushing in 3/4" hole.



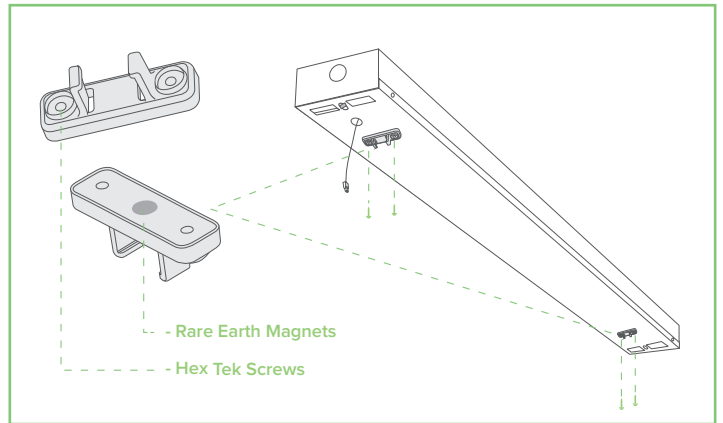
**STEP 6:**

Pull driver Quick-Connect line out of hole.



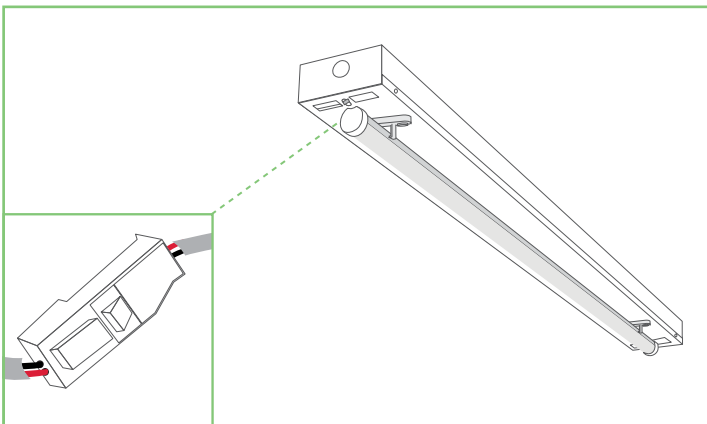
**STEP 7:**

Secure the fixture plate back to the fixture using the Twist-Lock, or Hex-Tek Screws.



**STEP 8:**

Secure the Ti clips to the fixture. These clips have magnets for easy placement.



**STEP 9:**

Connect the Ti bar quick connect to the driver quick connect and push remaining slack into fixture. Connect the Ti bars to the clips and enjoy

