

### Key Features & Benefits:

- Patent Pending Tap Technology Allows Users to Set Kelvin and/or Wattage While the Fixture is Still in the Packaging With No Power Needed
- No Dip-switches
- Kelvin Range: 2700K–6500K
- Three Wattage Ranges: 10–25W, 25–45W, 45–75W
- In-Field Adjustable Integrated Network Controls
- Easily Adjust Any Kelvin or Wattage with the ESL Vision APP (Only Available for Android on Google Play)
- Integrated Konex System Allows Wireless Grouping of Fixtures
- Connection to Sensors and Switches
- No Hub or Internet Required

Project: \_\_\_\_\_

Date: \_\_\_\_\_

Catalog #: \_\_\_\_\_

Notes: \_\_\_\_\_



### Material:

- Heavy gauge cold rolled steel housing, LED plate, and end caps
- Contoured frosted acrylic lens with superior glare control

### Finish:

- Baked white acrylic matte high reflectance finish
- Corrosion resistant paint post fabrication design

### Electrical:

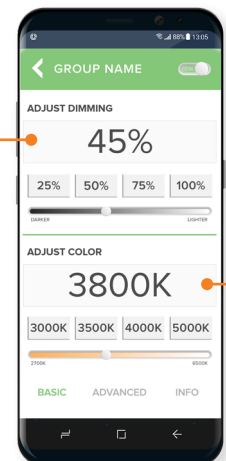
- Total system life rated at 50,000 hours. Predicted L70 rated at 190,000 hours. L90 rated at 60,000 hours
- 0–10V standard dimming, designed to be used with the ESL Vision's wireless Konex switches, 0–10v switches and other third-party control systems

## TUNABLE WHITE

- 2700K–6500K
- Tune Kelvin Using the ESL Vision Network Lighting App or TAP Software

## ADJUSTABLE WATTAGE

- 10–25 Watts
- Adjust the Wattage Using the ESL Vision Network Lighting APP or TAP Software



### Ordering Guide:

ESL	TYPE	MODEL	LENGTH	ADJUSTABLE WATTAGE	ADJUSTABLE KELVIN	OPTIONS
ESL	SPE <small>(SPE) Spectrum Series</small>	900	2 <small>(2) 2 Foot</small>	1025 <small>(1025) 10W–25W</small>	2765 <small>(2765) 2700K–6500K</small>	

### FACTORY INSTALLED OPTIONS

FS9	Konex Occupancy Sensor. Group dimming control with single sensor. Uses ESL Lighting APP for programming
1DHOC	Stand Alone Daylight Harvesting and Occupancy Sensor—Qualifies fixture for LLLC. Uses REM-100 for programming

### FIELD INSTALLED ACCESSORIES

ESL-ACCS-VHS-8FT-001	Spectrum 900 Strip Series V-Hook, Set of 2
ESL-ACCS-JC-KIT	1.05m Chain Kit, Set of 2, 3 Feet
ESL-ACCS-AC-10FT	3M Adjustable Aircraft Cable Kit, Set of 2, 10 feet
ESL-ACCS-SFMKIT	Surface Mount Bracket
ESL-REM-100	Hand Held Remote to Program 1DHOC
ESL-SPE-900-8-WG	Spectrum 8' 900 Strip Series Wire Guard
ESL-SPE-900-4-WG	Spectrum 4' 900 Strip Series Wire Guard
ESL-SPE-900-2-WG	Spectrum 2' 900 Strip Series Wire Guard
ESL-SPE-900-8-LENS	Spectrum 8' 900 Strip Series Lens Replacement
ESL-SPE-900-4-LENS	Spectrum 4' 900 Strip Series Lens Replacement
ESL-SPE-900-2-LENS	Spectrum 2' 900 Strip Series Lens Replacement
ESL-SPE-900-CRA	Connecting Piece for Continuous Runs
ESL-SPE-PGMR-NOK14	Spectrum Programmer (no NFC)

### Catalog Data:

ITEM#	ADJUSTABLE WATTAGE	ADJUSTABLE KELVIN	MAX LUMEN OUTPUT	MAX EFFICACY (lm/W)	DIMENSIONS	DLC QPL CODE
ESL-SPE-900-2-1025W-2765K	10W–25W	2700K–6500K	3,376	154	25.8" x 3.5" x 3.3"	S-WF5Y6D
ESL-SPE-900-4-1025W-2765K	10W–25W		3,176	148	48.0" x 3.5" x 3.3"	S-8T61KU
ESL-SPE-900-4-2545W-2765K	25W–45W		6,358	151	48.0" x 3.5" x 3.3"	S-6R32IG
ESL-SPE-900-8-2545W-2765K	25W–45W		6,109	151	96.0" x 3.5" x 3.3"	S-ZPE73R
ESL-SPE-900-8-4575W-2765K	45W–75W		9,562	149	96.0" x 3.5" x 3.3"	S-OU8WMO

### Electrical Load:

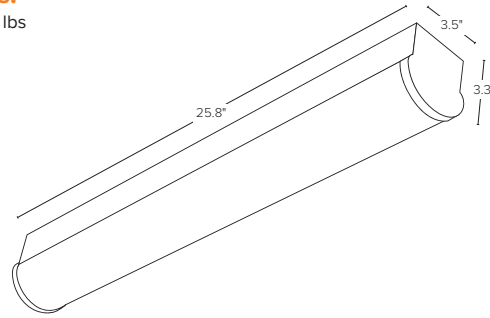
SYSTEM WATTS	120 VAC	208 VAC	240 VAC	277 VAC	INPUT VOLTAGE	POWER FACTOR	THD	OPERATING TEMPERATURE	DIMMING
75	0.63	0.36	0.31	0.27	120–277 VAC	>0.99 @120 VAC >0.96 @277 VAC	<10%	-4°F to 104°F (-20°C to 40°C)	0–10V
70	0.58	0.34	0.29	0.25					
65	0.54	0.31	0.27	0.23					
60	0.50	0.29	0.25	0.22					
55	0.46	0.26	0.23	0.20					
50	0.42	0.24	0.21	0.18					
45	0.38	0.22	0.19	0.16					
40	0.33	0.19	0.17	0.14					
35	0.29	0.17	0.15	0.13					
30	0.25	0.14	0.13	0.11					
25	0.21	0.12	0.10	0.09					
20	0.17	0.10	0.08	0.07					
15	0.13	0.07	0.06	0.05					
10	0.08	0.05	0.04	0.04					

### Lumen Ambient Temperature (LAT) Multipliers:

AMBIENT		LUMEN MULTIPLIER
0 °C	32 °F	1.02
10 °C	50 °F	1.01
20 °C	68 °F	1.00
25 °C	77 °F	1.00
30 °C	86 °F	1.00
40 °C	104 °F	0.99
50 °C	122 °F	0.96

### Dimensions:

Weight— 3.4 lbs



### Lumen Data:

ESL-SPE-900-2-1025W-2765K

WATTAGE	KELVIN	LUMEN	EFFICACY (lm/W)	CRI	R9
25W	2700K	3,243	130	82.1	5
	3000K	3,237	132	84.0	13
	3500K	3,294	135	85.9	22
	4000K	3,347	138	86.5	26
	4500K	3,371	139	86.3	27
	5000K	3,376	139	85.4	24
	5700K	3,332	138	84.4	20
	6500K	3,323	137	82.6	11
20W	2700K	3,243	137	82.1	5
	3000K	3,237	141	84.0	13
	3500K	3,294	144	85.9	22
	4000K	3,347	148	86.5	26
	4500K	3,371	151	86.3	27
	5000K	3,376	153	85.4	24
	5700K	3,332	149	84.4	20
	6500K	3,323	147	82.6	11
15W	2700K	2,069	139	82.1	5
	3000K	2,148	142	84.0	13
	3500K	2,172	145	85.9	22
	4000K	2,167	147	86.5	26
	4500K	2,236	150	86.3	27
	5000K	2,251	151	85.4	24
	5700K	2,242	151	84.4	20
	6500K	2,256	151	82.6	11
10W	2700K	1,401	138	82.1	5
	3000K	1,485	141	84.0	13
	3500K	1,488	144	85.9	22
	4000K	1,496	146	86.5	26
	4500K	1,499	146	86.3	27
	5000K	1,531	149	85.4	24
	5700K	1,543	154	84.4	20
	6500K	1,548	149	82.6	11

ESL-SPE-900-4-1025W-2765K

WATTAGE	KELVIN	LUMEN	EFFICACY (lm/W)	CRI	R9
25W	2700K	3,065	130	82.3	5
	3000K	3,092	131	84.0	13
	3500K	3,115	132	85.9	22
	4000K	3,176	134	86.5	26
	4500K	3,165	133	86.3	27
	5000K	3,165	133	85.4	24
	5700K	3,155	132	84.4	20
	6500K	3,104	131	83.7	13
20W	2700K	2,513	134	82.3	5
	3000K	2,630	138	84.0	13
	3500K	2,703	142	85.9	22
	4000K	2,776	146	86.5	26
	4500K	2,792	146	86.3	27
	5000K	2,814	147	85.4	24
	5700K	2,797	146	84.4	20
	6500K	2,748	143	83.7	13
15W	2700K	1,917	136	82.3	5
	3000K	2,022	139	84.0	13
	3500K	2,069	142	85.9	22
	4000K	2,120	145	86.5	26
	4500K	2,150	147	86.3	27
	5000K	2,159	148	85.4	24
	5700K	2,152	147	84.4	20
	6500K	2,114	145	83.7	13
10W	2700K	1,316	135	82.3	5
	3000K	1,415	138	84.0	13
	3500K	1,431	140	85.9	22
	4000K	1,441	143	86.5	26
	4500K	1,482	144	86.3	27
	5000K	1,484	145	85.4	24
	5700K	1,491	146	84.4	20
	6500K	1,468	145	83.7	13

ESL-SPE-900-4-2545W-2765K

WATTAGE	KELVIN	LUMEN	EFFICACY (lm/W)	CRI	R9
45W	2700K	6,051	130	82.4	2
	3000K	6,129	131	84.2	13
	3500K	6,265	132	85.2	19
	4000K	6,301	134	86.3	25
	4500K	6,358	136	85.4	26
	5000K	6,356	135	84.7	23
	5700K	6,241	134	82.9	20
	6500K	6,108	131	82.1	10
40W	2700K	5,273	130	81.4	2
	3000K	5,582	134	84.1	13
	3500K	5,779	139	85.4	19
	4000K	5,994	144	86.2	25
	4500K	5,946	144	86.0	26
	5000K	5,947	145	85.1	23
	5700K	5,921	143	84.3	20
	6500K	5,658	137	82.5	10
35W	2700K	4,748	132	81.4	2
	3000K	4,965	136	84.1	13
	3500K	5,130	141	85.4	19
	4000K	5,279	145	86.2	25
	4500K	5,335	147	86.0	26
	5000K	5,322	147	85.1	23
	5700K	5,307	146	84.3	20
	6500K	5,173	141	82.5	10
30W	2700K	4,164	135	81.4	2
	3000K	4,364	139	84.1	13
	3500K	4,507	143	85.4	19
	4000K	4,602	146	86.2	25
	4500K	4,634	148	86.0	26
	5000K	4,650	149	85.1	23
	5700K	4,646	148	84.3	20
	6500K	4,528	144	82.5	10
25W	2700K	3,567	138	81.4	2
	3000K	3,747	141	84.1	13
	3500K	3,819	145	85.4	19
	4000K	3,895	148	86.2	25
	4500K	3,944	150	86.0	26
	5000K	3,958	151	85.1	23
	5700K	3,939	150	84.3	20
	6500K	3,856	147	82.5	10

ESL-SPE-900-8-2545W-2765K

WATTAGE	KELVIN	LUMEN	EFFICACY (lm/W)	CRI	R9
45W	2700K	5,986	130	82.0	4
	3000K	6,004	131	84.0	13
	3500K	6,019	131	85.5	21
	4000K	6,032	131	86.5	25
	4500K	6,043	131	86.3	26
	5000K	6,052	132	85.2	21
	5700K	6,060	132	84.7	17
	6500K	6,109	132	82.5	10
40W	2700K	5,273	130	82.0	4
	3000K	5,582	134	84.0	13
	3500K	5,779	139	85.5	21
	4000K	5,994	144	86.5	25
	4500K	5,946	144	86.3	26
	5000K	5,947	145	85.2	21
	5700K	5,921	143	84.7	17
	6500K	5,658	137	82.5	10
35W	2700K	4,748	132	82.0	4
	3000K	4,965	136	84.0	13
	3500K	5,130	141	85.5	21
	4000K	5,279	145	86.5	25
	4500K	5,335	147	86.3	26
	5000K	5,322	147	85.2	21
	5700K	5,307	146	84.7	17
	6500K	5,173	141	82.5	10
30W	2700K	4,164	135	82.0	4
	3000K	4,364	139	84.0	13
	3500K	4,507	143	85.5	21
	4000K	4,602	146	86.5	25
	4500K	4,634	148	86.3	26
	5000K	4,650	149	85.2	21
	5700K	4,646	148	84.7	17
	6500K	4,528	144	82.5	10
25W	2700K	3,567	138	82	4
	3000K	3,747	141	84	13
	3500K	3,819	145	85.5	21
	4000K	3,895	148	86.5	25
	4500K	3,944	150	86.3	26
	5000K	3,958	151	85.2	21
	5700K	3,939	150	84.7	17
	6500K	3,856	147	82.5	10

ESL-SPE-900-8-4575W-2765K

WATTAGE	KELVIN	LUMEN	EFFICACY (lm/W)	CRI	R9
75W	2700K	9,404	130	82.0	4
	3000K	9,427	131	84.1	14
	3500K	9,446	131	85.0	22
	4000K	9,463	132	85.2	24
	4500K	9,477	132	86.0	25
	5000K	9,489	132	85.1	20
	5700K	9,500	133	84.1	15
	6500K	9,562	133	82.5	10
70W	2700K	4,748	132	82.0	4
	3000K	4,965	136	84.1	14
	3500K	5,130	141	85.0	22
	4000K	5,279	145	85.2	24
	4500K	5,335	147	86.0	25
	5000K	5,322	147	85.1	20
	5700K	5,307	146	84.1	15
	6500K	5,173	141	82.5	10
65W	2700K	4,164	135	82.0	4
	3000K	4,364	139	84.1	14
	3500K	4,507	143	85.0	22
	4000K	4,602	146	85.2	24
	4500K	4,634	148	86.0	25
	5000K	4,650	149	85.1	20
	5700K	4,646	148	84.1	15
	6500K	4,528	144	82.5	10
60W	2700K	4,164	135	82.0	4
	3000K	4,364	139	84.1	14
	3500K	4,507	143	85.0	22
	4000K	4,602	146	85.2	24
	4500K	4,634	148	86.0	25
	5000K	4,650	149	85.1	20
	5700K	4,646	148	84.1	15
	6500K	4,528	144	82.5	10
55W	2700K	3,065	130	82.0	4
	3000K	3,092	131	84.1	14
	3500K	3,115	132	85.0	22
	4000K	3,176	134	85.2	24
	4500K	3,165	133	86.0	25
	5000K	3,165	133	85.1	20
	5700K	3,155	132	84.1	15
	6500K	3,104	131	82.5	10
50W	2700K	3,065	130	82.0	4
	3000K	3,092	131	84.1	14
	3500K	3,115	132	85.0	22
	4000K	3,176	134	85.2	24
	4500K	3,165	133	86.0	25
	5000K	3,165	133	85.1	20
	5700K	3,155	132	84.1	15
	6500K	3,104	131	82.5	10
45W	2700K	6,051	130	82.0	4
	3000K	6,129	131	84.1	14
	3500K	6,265	132	85.0	22
	4000K	6,301	134	85.2	24
	4500K	6,358	136	86.0	25
	5000K	6,356	135	85.1	20
	5700K	6,241	134	84.1	15
	6500K	6,108	131	82.5	10

