



LED VAPOR RETROFIT KIT SERIES



Ti - VP8RK - 60 Watts

PAGE 1 OF 5

Product Description:

Premium grade LED retrofit for existing fluorescent vapor tight fixtures. Upgrade existing vapor tight fixtures to LED in under 5 minutes.



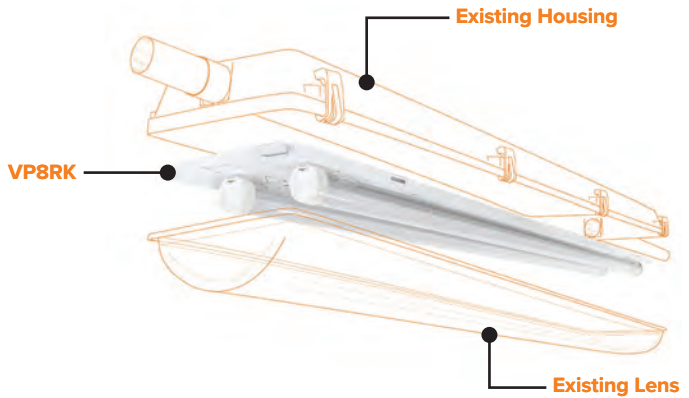
Project: _____ Date: _____

Catalog #: _____

Notes: _____

Key Features & Benefits:

- Single Piece Design
- 0-10v Dimming Driver with 12v Aux
- 7 Year Warranty
- Frosted Ti Bars Enables Use of Existing Clear Lens
- Control Options
 - Photocell
 - Occupancy
- Emergency Capable



Performance Summary:

Wattage: 60
 Lumens: Up to 7,980 Lumens
 Efficacy: Up to 133 Lumens per Watt
 Kelvin: 3000K, 3500K, 4000K, 5000K
 Color Rendering Index (CRI): >82
 Rated Life: > 80,000 hrs

8' (VP8RK) Fixture Retrofit Compatibility:

- Columbia XEM & HEM Series
- LSI EG3 Series
- HE Williams 96 Series
- Simkar ENZ Series
- Texas Fluorescents CIT Series
- Atlas IFW Series
- LDPI 376 Series
- Daybrite DW Series
- Contact factory for custom configurations

Ordering Guide:

| | | | | | | | | | | | |
|------------|---|--------------------------|---|-------------------------------|---|-----------------------------|---|--|---|-------------|--|
| ESL | - | Ti | - | VP8RK | - | S | - | 60W | - | F | |
| ESL | | TYPE | | SERIES | | PERFORMANCE | | WATTS | | Ti LENS | KELVIN |
| | | Ti Series TiHO Series | | VP8RK (8ft Vapor Retrofit) | | S (Standard) P (Premium) | | 36W (36 Watts) 44W (44 Watts) 60W (60 Watts) 88W (88 Watts) 120W (120 Watts) 180W (180 Watts) | | F (Frosted) | 30 (3000 Kelvin) 35 (3500 Kelvin) 40 (4000 Kelvin) 50 (5000 Kelvin) |

Accessories (Field Installed)

| |
|---|
| Sensors: |
| ESL-REM-100 (Hand Held Remote to Control ESL-4OCC-LDD) |
| Lens: |
| ESL-VP8-LENS-SHPC-CL (Shallow Lens Polycarbonate Clear) |
| ESL-VP8-LENS-SHPC-FR (Shallow Lens Polycarbonate Frosted) |
| ESL-VP8-LENS-SHAC-CL (Shallow Lens Acrylic Clear) |
| ESL-VP8-LENS-SHAC-FR (Shallow Lens Acrylic Frosted) |

*Not all lenses are stocked items. Alternative lens options available. Please contact factory for more information.

Options (Factory Installed)

| |
|---|
| Emergency BBU: |
| ESL-EMG-SL1-OTB-9W (9 Watts Output, 90Min, 120-277VAC Input, 10-300VDC Output, Open Terminal Block Wiring) |
| ESL-EMG-SL2-CLW-5W (5 Watts Output, 90Min, 120-277VAC Input, 20-250VDC Output, Closed Lead Wiring) |
| ESL-EMG-SL3-CLW-5W (5 Watts Output, 90Min, 120-277VAC Input, 20-50VDC Output, Closed Lead Wiring) |
| ESL-EMG-SL1-CDC-18W (18W Output, 90Min, 120-277VAC Input, 20-300VDC Output, Closed Frame with Dual Flex Conduits) |
| Sensors: |
| ESL-3OCC (IP65 0-10v Occupancy Dimming Sensor. 8'- 50' Mounting, Wire From Side) |
| ESL-3OCCB (IP65 0-10v Occupancy Dimming Sensor. 8'- 50' Mounting, Wire From Top) |

Options & Accessories:



ESL-30CC / ESL-30CCB

Sensor Type: Microwave

Sensitivity Adjustment: 20% / 50% / 75% / 100%

Dimming Control Output: 0-10V Max. 25mA sinking current

Detection Radius/angle: 26.2ft@50ft Height/360°

Detection Area (square footage): 2155ft²@50ft Height/360°

Mounting Height: 50ft Max

Remote Range: 50ft

For more information please see the
ESL-30CC cut sheet



ESL-REM-100



ESL-EMG-SL1-OTB-9W ESL-EMG-SL2-CLW-5W ESL-EMG-SL3-CLW-5W ESL-EMG-SL1-CDC-18W

For more information please see the
ESL-EMG-SL1-OTB-9W cut sheet
ESL-EMG-SL2-CLW-5W cut sheet
ESL-EMG-SL3-CLW-5W cut sheet
ESL-EMG-SL1-CDC-18W cut sheet

VP4RK - Catalog Data:

| ESL | TYPE | SIZE | WATTAGE | FROSTED | KELVIN | | KELVIN | | KELVIN | | KELVIN | |
|------------------------|------|------|---------|---------|------------|-----|------------|-----|------------|-----|------------|-----|
| | | | | | 3000K (30) | | 3500K (35) | | 4000K (40) | | 5000K (50) | |
| | | | | | LUMENS | LPW | LUMENS | LPW | LUMENS | LPW | LUMENS | LPW |
| ESL-Ti-VP4RK-S-26W-F | | | | | 3,620 | 139 | 3,665 | 141 | 3,720 | 143 | 3,750 | 144 |
| ESL-Ti-VP4RK-S-36W-F | | | | | 4,645 | 129 | 4,610 | 128 | 4,570 | 127 | 4,550 | 126 |
| ESL-Ti-VP4RK-S-44W-F | | | | | 6,070 | 138 | 6,200 | 141 | 6,350 | 144 | 6,450 | 144 |
| ESL-TiHO-VP4RK-P-60W-F | | | | | N/A | N/A | N/A | N/A | 8,020 | 133 | 8,165 | 136 |

VP8RK - Catalog Data:

| ESL | TYPE | SIZE | WATTAGE | FROSTED | KELVIN | | KELVIN | | KELVIN | | KELVIN | |
|-------------------------|------|------|---------|---------|------------|-----|------------|-----|------------|-----|------------|-----|
| | | | | | 3000K (30) | | 3500K (35) | | 4000K (40) | | 5000K (50) | |
| | | | | | LUMENS | LPW | LUMENS | LPW | LUMENS | LPW | LUMENS | LPW |
| ESL-Ti-VP8RK-S-36W-F | | | | | 4,595 | 127 | 4,610 | 128 | 4,645 | 129 | 4,680 | 130 |
| ESL-Ti-VP8RK-S-44W-F | | | | | 5,725 | 130 | 5,765 | 131 | 5,810 | 132 | 5,650 | 133 |
| ESL-Ti-VP8RK-S-60W-F | | | | | 7,785 | 130 | 7,860 | 131 | 7,920 | 132 | 7,980 | 133 |
| ESL-Ti-VP8RK-S-88W-F | | | | | 10,950 | 124 | 11,000 | 125 | 11,090 | 126 | 11,175 | 127 |
| ESL-TiHO-VP8RK-P-120W-F | | | | | N/A | N/A | N/A | N/A | 15,750 | 131 | 15,600 | 130 |
| ESL-TiHO-VP8RK-P-180W-F | | | | | N/A | N/A | N/A | N/A | 23,800 | 132 | 24,300 | 135 |

VPHBRK - Catalog Data:

| ESL | TYPE | SIZE | WATTAGE | FROSTED | KELVIN | | KELVIN | |
|--------------------------|------|------|---------|---------|------------|-----|------------|-----|
| | | | | | 4000K (40) | | 5000K (50) | |
| | | | | | LUMENS | LPW | LUMENS | LPW |
| ESL-TiHO-VPHBRK-P-60W-F | | | | | 9,013 | 150 | 9,216 | 154 |
| ESL-TiHO-VPHBRK-P-90W-F | | | | | 13,525 | 150 | 13,765 | 155 |
| ESL-TiHO-VPHBRK-P-120W-F | | | | | 17,876 | 150 | 18,125 | 151 |
| ESL-TiHO-VPHBRK-P-150W-F | | | | | 22,821 | 152 | 23,019 | 151 |
| ESL-TiHO-VPHBRK-P-180W-F | | | | | 27,128 | 151 | 27,320 | 152 |

4' (VP4RK) & 8' (VP8RK) Fixture Retrofit Compatibility:

- Columbia XEM & HEM Series
- LSI EG3 Series
- HE Williams 96 Series
- Simkar ENZ Series
- Texas Fluorescents CIT Series
- Atlas IFW Series
- LDPI 376 Series
- Daybrite DW Series
- Contact factory for custom configurations

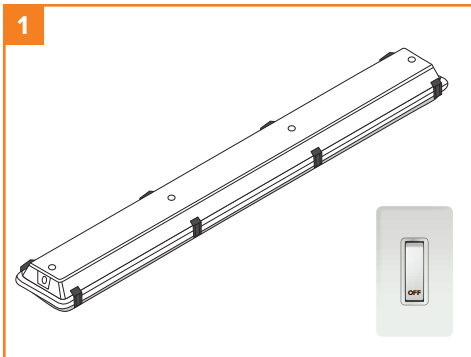
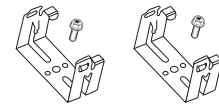
High Bay (VPHBRK) Fixture Retrofit Compatibility:

- ILP Blizzard Series
- Lithonia FHE Series
- Cooper VT4 Series
- Columbia XEW4 Series
- Philips DayBrite CFI Series

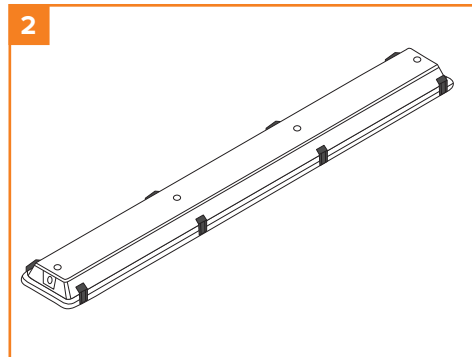
4' & 8' Installation:

Included Parts:

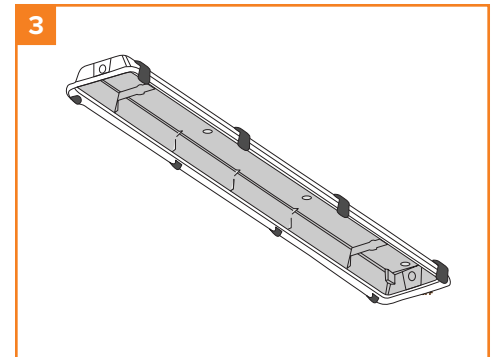
- (1) Ti LED Retrofit Plate
- (2) Vapor Retrofit Brackets
- (2) Retrofit Bracket Screws



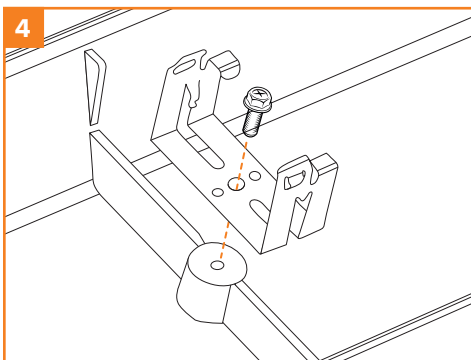
1 Disconnect power to the fixture



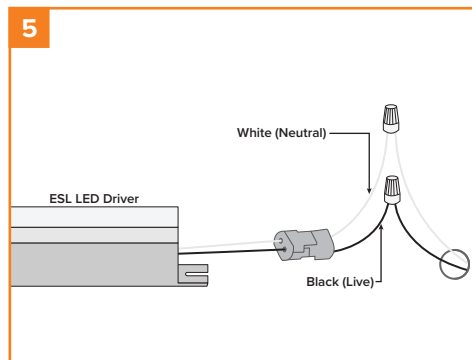
2 Unhinge latches to remove lens



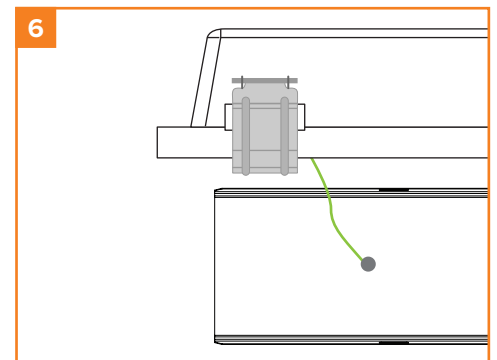
3 Disconnect ballast and remove existing gear tray from fixture. If ballast is not installed on gear tray, remove from housing.



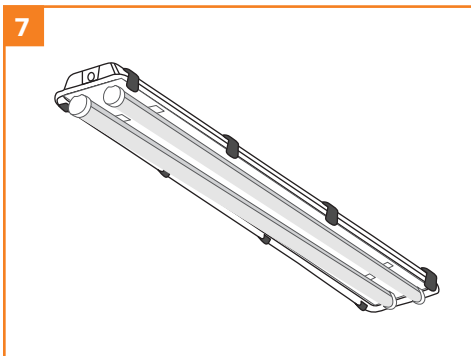
4 Install provided retrofit brackets into the housing. Remove existing clips if needed. If there are no clips, please confirm that housing has socket bars before continuing installation.



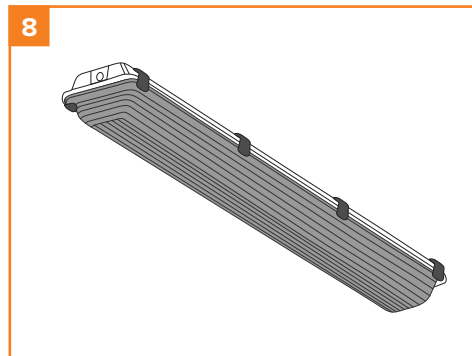
5 Connect AC input lines to incoming AC power using the proper connectors in accordance with current state and federal regulations.



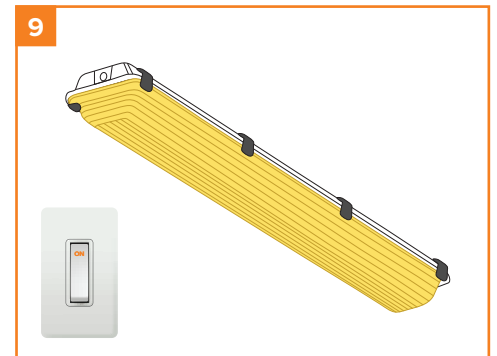
6 Ground the retrofit kit.



7 Once all electrical connections are made, push the retrofit plate up into the retrofit brackets to secure plate to body. If brackets were not used, use Tek-screws to attach plate to socket bars.



8 Reattach the lens to the fixture body.



9 Restore power to the fixture to complete installation.

Product Specifications:

Construction:

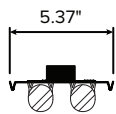
- Single piece design with pre-punched holes allowing for quick and easy installation
- Die-formed and embossed code 22 gauge steel
- High reflectance, baked white enamel finish

Electrical:

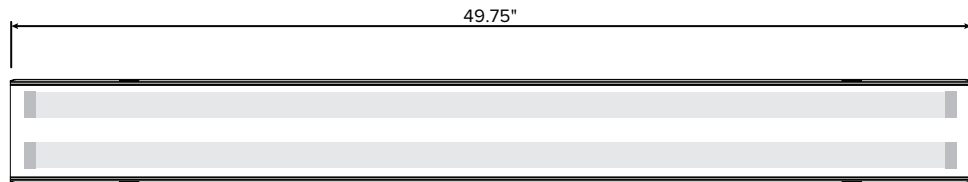
- Input Voltage: 120-277 VAC
- Power Factor @120 VAC - 0.97%, @277 VAC - 0.90%
- THD @110 VAC <10%, @277 VAC <15%
- Operating Temperature: -4°F to 122°F (-20°C to 50°C)
- CRI: >82
- Lifespan: >80,000 Hours
- Dimming: 0-10V Dimmable

Dimensions:

VP4RK SERIES

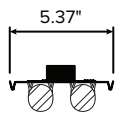


Side View

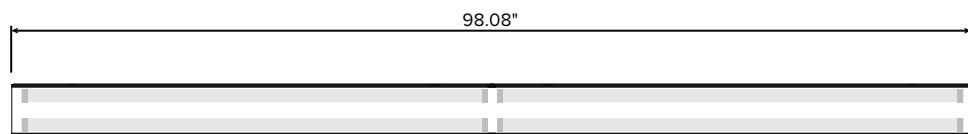


Front View

VP8RK SERIES

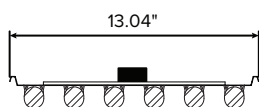


Side View

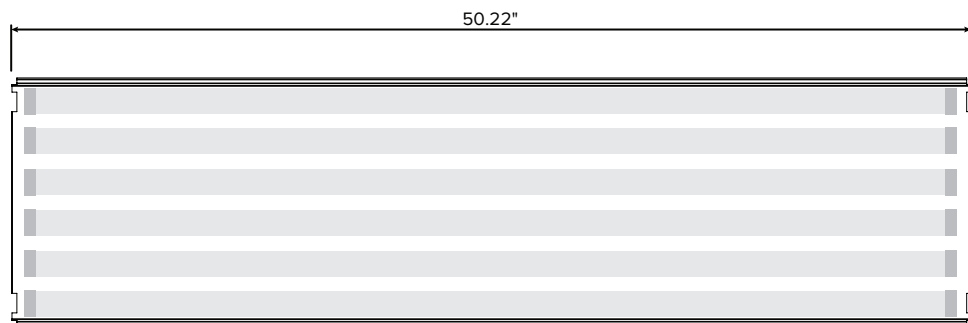


Front View

VPHBRK SERIES



Side View



Front View



LED VAPOR RETROFIT KIT SERIES



Technical Data

Lumen Ambient Temperature (LAT) Multipliers:

| AMBIENT | | LUMEN MULTIPLIER |
|---------|--------|------------------|
| 0 °C | 32 °F | 1.02 |
| 10 °C | 50 °F | 1.01 |
| 20 °C | 68 °F | 1 |
| 25 °C | 77 °F | 1 |
| 30 °C | 86 °F | 1 |
| 40 °C | 104 °F | 0.99 |
| 50 °C | 122 °F | 0.96 |

LED Lumen Maintenance:

| SYSTEM WATTS | HOURS | | | |
|---------------|-------|-------|-------|--------|
| | 0 | 25000 | 50000 | 100000 |
| VP4RK | | | | |
| 26 | - | - | - | - |
| 36 | | | | |
| 44 | | | | |
| 60 | | | | |
| VP8RK | | | | |
| 36 | - | - | - | - |
| 44 | | | | |
| 60 | | | | |
| 88 | | | | |
| 120 | | | | |
| 180 | | | | |
| VPHBRK | | | | |
| 60 | - | - | - | - |
| 90 | | | | |
| 120 | | | | |
| 150 | | | | |
| 180 | | | | |

VP4RK - Electrical Load:

| SYSTEM WATTS | INPUT CURRENT | | | | INPUT VOLTAGE | INPUT FREQUENCY | POWER FACTOR | THD | OPERATING TEMPERATURE | DIMMING |
|--------------|---------------|---------|---------|---------|---------------|-----------------|----------------------------------|------------------------------|----------------------------------|---------|
| | 120 VAC | 208 VAC | 240 VAC | 277 VAC | | | | | | |
| 26 | 0.22 | 0.13 | 0.11 | 0.09 | 120-277 VAC | 50/60 Hz | >0.97 @120 VAC >0.90 @277 VAC | <10% @110VAC <15% @277VAC | -4°F to 122°F (-20°C to 50°C) | 0-10V |
| 36 | 0.30 | 0.17 | 0.15 | 0.13 | | | | | | |
| 44 | 0.37 | 0.21 | 0.18 | 0.16 | | | | | | |
| 60 | 0.50 | 0.29 | 0.25 | 0.22 | | | | | | |

VP8RK - Electrical Load:

| SYSTEM WATTS | INPUT CURRENT | | | | INPUT VOLTAGE | INPUT FREQUENCY | POWER FACTOR | THD | OPERATING TEMPERATURE | DIMMING |
|--------------|---------------|---------|---------|---------|---------------|-----------------|----------------------------------|------------------------------|----------------------------------|---------|
| | 120 VAC | 208 VAC | 240 VAC | 277 VAC | | | | | | |
| 36 | 0.30 | 0.17 | 0.15 | 0.13 | 120-277 VAC | 50/60 Hz | >0.97 @120 VAC >0.90 @277 VAC | <10% @110VAC <15% @277VAC | -4°F to 122°F (-20°C to 50°C) | 0-10V |
| 44 | 0.37 | 0.21 | 0.18 | 0.16 | | | | | | |
| 60 | 0.50 | 0.29 | 0.25 | 0.22 | | | | | | |
| 88 | 0.73 | 0.42 | 0.37 | 0.32 | | | | | | |
| 120 | 1.00 | 0.58 | 0.50 | 0.43 | | | | | | |
| 180 | 1.50 | 0.87 | 0.75 | 0.65 | | | | | | |

VPHBRK - Electrical Load:

| SYSTEM WATTS | INPUT CURRENT | | | | INPUT VOLTAGE | INPUT FREQUENCY | POWER FACTOR | THD | OPERATING TEMPERATURE | DIMMING |
|--------------|---------------|---------|---------|---------|---------------|-----------------|----------------------------------|------------------------------|----------------------------------|---------|
| | 120 VAC | 208 VAC | 240 VAC | 277 VAC | | | | | | |
| 60 | 0.50 | 0.29 | 0.25 | 0.22 | 120-277 VAC | 50/60 Hz | >0.97 @120 VAC >0.90 @277 VAC | <10% @110VAC <15% @277VAC | -4°F to 122°F (-20°C to 50°C) | 0-10V |
| 90 | 0.75 | 0.43 | 0.38 | 0.32 | | | | | | |
| 120 | 1.00 | 0.58 | 0.50 | 0.43 | | | | | | |
| 150 | 1.25 | 0.72 | 0.63 | 0.54 | | | | | | |
| 180 | 1.50 | 0.87 | 0.75 | 0.65 | | | | | | |