



# LED VAPOR RETROFIT KIT SERIES



## TiHO - VPHBRK - 180 Watts

PAGE 1 OF 5

### Product Description:

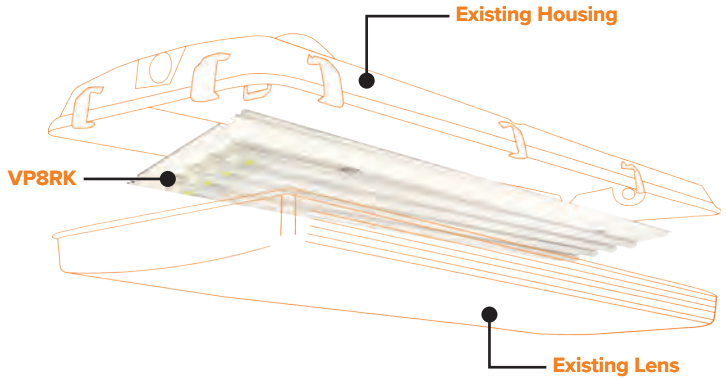
Premium grade LED retrofit for existing fluorescent vapor tight fixtures. Upgrade existing vapor tight fixtures to LED in under 5 minutes.



Project: \_\_\_\_\_ Date: \_\_\_\_\_  
Catalog #: \_\_\_\_\_  
Notes: \_\_\_\_\_

### Key Features & Benefits:

- Single Piece Design
- 0-10v Dimming Driver with 12v Aux
- 7 Year Warranty
- Frosted Ti Bars Enables Use of Existing Clear Lens
  - Photocell
  - Occupancy
- Emergency Capable



### Performance Summary:

Wattage: 180  
 Lumens: Up to 27,320 Lumens  
 Efficacy: Up to 152 Lumens per Watt  
 Kelvin: 4000K, 5000K  
 Color Rendering Index (CRI): >82  
 Rated Life: > 80,000 hrs

### High Bay (VPHBRK) Fixture Retrofit Compatibility:

- ILP Blizzard Series
- Lithonia FHE Series
- Cooper VT4 Series
- Columbia XEW4 Series
- Philips DayBrite CFI Series

### Ordering Guide:

<b>ESL</b>	-	<b>TiHO</b>	-	<b>VPHBRK</b>	-	<b>P</b>	-	<b>180W</b>	-	<b>F</b>	
ESL		TYPE		SERIES		PERFORMANCE		WATTS		Ti LENS	KELVIN
		TiHO Series		VPHBRK (High Bay Vapor Retrofit)		P (Premium)		60W (60 Watts) 90W (90 Watts) 120W (120 Watts) 150W (150 Watts) 180W (180 Watts)		F (Frosted)	40 (4000 Kelvin) 50 (5000 Kelvin)

### Accessories (Field Installed)

<b>Sensors:</b>
ESL-REM-100 (Hand Held Remote to Control ESL-4OCC-LDD)
<b>Lenses:</b>
ELS-VPHB-LENS-PC-CL (Highbay Polycarbonate Clear Lens)
ELS-VPHB-LENS-PC-FR (Highbay Polycarbonate Frosted Lens)
ELS-VPHB-LENS-AC-CL (Highbay Acrylic Clear Lens)
ELS-VPHB-LENS-AC-FR (Highbay Acrylic Frosted Lens)

\*Not all lenses are stocked items. Alternative lens options available. Please contact factory for more information.

### Options (Factory Installed)

<b>Emergency BBU:</b>
ESL-EMG-SL1-OTB-9W (9 Watts Output, 90Min, 120-277VAC Input, 10-300VDC Output, Open Terminal Block Wiring)
ESL-EMG-SL2-CLW-5W (5 Watts Output, 90Min, 120-277VAC Input, 20-250VDC Output, Closed Lead Wiring)
ESL-EMG-SL3-CLW-5W (5 Watts Output, 90Min, 120-277VAC Input, 20-50VDC Output, Closed Lead Wiring)
ESL-EMG-SL1-CDC-18W (18W Output, 90Min, 120-277VAC Input, 20-300VDC Output, Closed Frame with Dual Flex Conduits)
<b>Sensors:</b>
ESL-3OCC (IP65 0-10v Occupancy Dimming Sensor. 8'- 50' Mounting, Wire From Side)
ESL-3OCCB (IP65 0-10v Occupancy Dimming Sensor. 8'- 50' Mounting, Wire From Top)

### Options & Accessories:



#### ESL-30CC / ESL-30CCB

Sensor Type: Microwave

Sensitivity Adjustment: 20% / 50% / 75% / 100%

Dimming Control Output: 0-10V Max. 25mA sinking current

Detection Radius/angle: 26.2ft@50ft Height/360°

Detection Area (square footage): 2155ft<sup>2</sup>@50ft Height/360°

Mounting Height: 50ft Max

Remote Range: 50ft

For more information please see the ESL-30CC cut sheet



#### ESL-REM-100



#### ESL-EMG-SL1-OTB-9W ESL-EMG-SL2-CLW-5W ESL-EMG-SL3-CLW-5W ESL-EMG-SL1-CDC-18W

For more information please see the  
ESL-EMG-SL1-OTB-9W cut sheet  
ESL-EMG-SL2-CLW-5W cut sheet  
ESL-EMG-SL3-CLW-5W cut sheet  
ESL-EMG-SL1-CDC-18W cut sheet

### VP4RK - Catalog Data:

ESL	TYPE	SIZE	WATTAGE	FROSTED	KELVIN		KELVIN		KELVIN		KELVIN	
					3000K (30)		3500K (35)		4000K (40)		5000K (50)	
					LUMENS	LPW	LUMENS	LPW	LUMENS	LPW	LUMENS	LPW
ESL-Ti-VP4RK-S-26W-F					3,620	139	3,665	141	3,720	143	3,750	144
ESL-Ti-VP4RK-S-36W-F					4,645	129	4,610	128	4,570	127	4,550	126
ESL-Ti-VP4RK-S-44W-F					6,070	138	6,200	141	6,350	144	6,450	144
ESL-TiHO-VP4RK-P-60W-F					N/A	N/A	N/A	N/A	8,020	133	8,165	136

### VP8RK - Catalog Data:

ESL	TYPE	SIZE	WATTAGE	FROSTED	KELVIN		KELVIN		KELVIN		KELVIN	
					3000K (30)		3500K (35)		4000K (40)		5000K (50)	
					LUMENS	LPW	LUMENS	LPW	LUMENS	LPW	LUMENS	LPW
ESL-Ti-VP8RK-S-36W-F					4,595	127	4,610	128	4,645	129	4,680	130
ESL-Ti-VP8RK-S-44W-F					5,725	130	5,765	131	5,810	132	5,650	133
ESL-Ti-VP8RK-S-60W-F					7,785	130	7,860	131	7,920	132	7,980	133
ESL-Ti-VP8RK-S-88W-F					10,950	124	11,000	125	11,090	126	11,175	127
ESL-TiHO-VP8RK-P-120W-F					N/A	N/A	N/A	N/A	15,750	131	15,600	130
ESL-TiHO-VP8RK-P-180W-F					N/A	N/A	N/A	N/A	23,800	132	24,300	135

### VP8BRK - Catalog Data:

ESL	TYPE	SIZE	WATTAGE	FROSTED	KELVIN		KELVIN	
					4000K (40)		5000K (50)	
					LUMENS	LPW	LUMENS	LPW
ESL-TiHO-VP8BRK-P-60W-F					9,013	150	9,216	154
ESL-TiHO-VP8BRK-P-90W-F					13,525	150	13,765	155
ESL-TiHO-VP8BRK-P-120W-F					17,876	150	18,125	151
ESL-TiHO-VP8BRK-P-150W-F					22,821	152	23,019	151
ESL-TiHO-VP8BRK-P-180W-F					27,128	151	27,320	152

### 4' (VP4RK) & 8' (VP8RK) Fixture Retrofit Compatibility:

- Columbia XEM & HEM Series
- LSI EG3 Series
- HE Williams 96 Series
- Simkar ENZ Series
- Texas Fluorescents CIT Series
- Atlas IFW Series
- LDPI 376 Series
- Daybrite DW Series
- Contact factory for custom configurations

### High Bay (VPHBRK) Fixture Retrofit Compatibility:

- ILP Blizzard Series
- Lithonia FHE Series
- Cooper VT4 Series
- Columbia XEW4 Series
- Philips DayBrite CFI Series

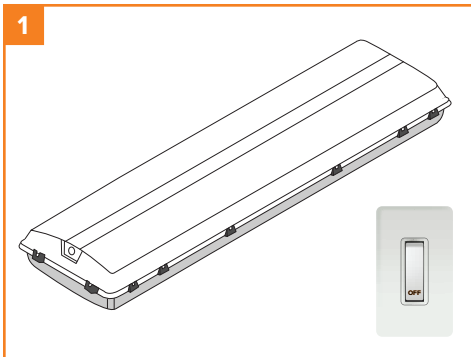
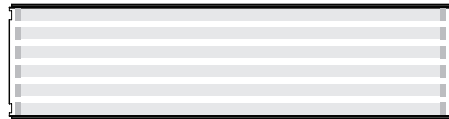


Install this retrofit kit only in fixtures that contains 4 metal retainerclips similar to this

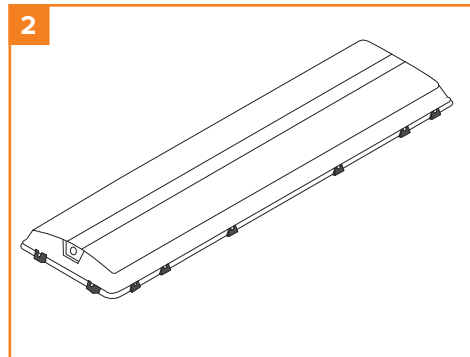
### High Bay VPHBRK Installation:

#### Included Parts:

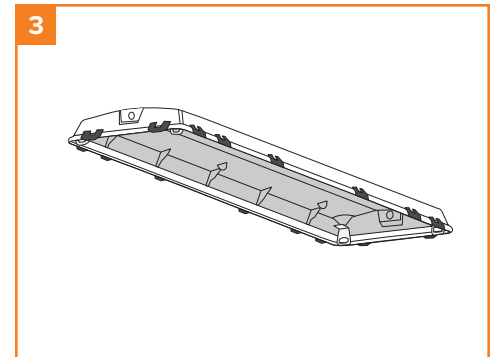
- (1) Ti LED Retrofit Plate



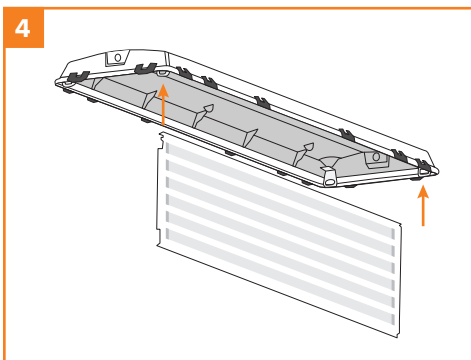
Disconnect power to the fixture



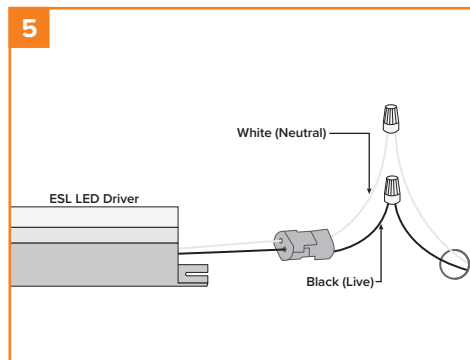
Unhinge latches to remove lens



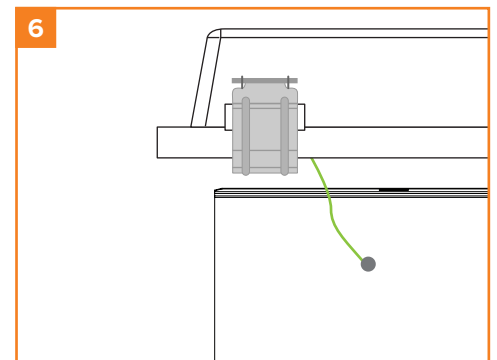
Disconnect ballast and remove existing gear tray from fixture. If ballast is not installed on gear tray, remove from housing.



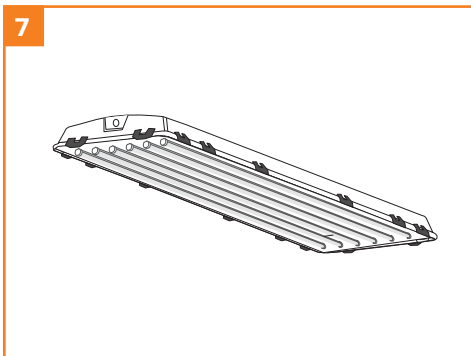
Attach the VPHBRK Retrofit kit plate to 2 of the metal retainer clips.



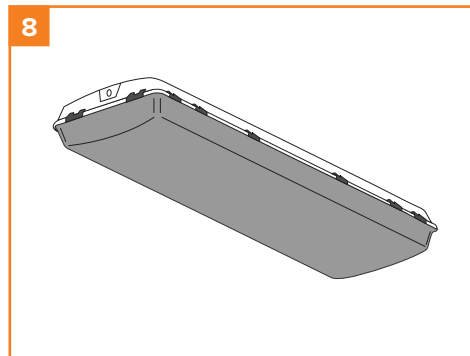
Connect AC input lines to incoming AC power using the proper connectors in accordance with current state and federal regulations.



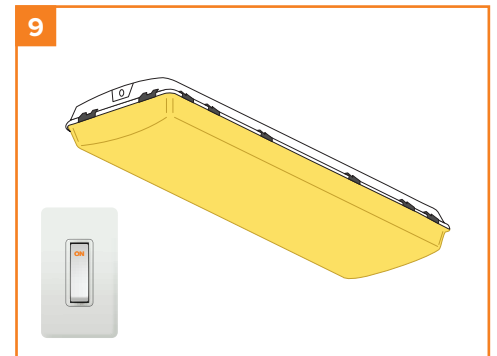
Ground the retrofit kit.



Once all electrical connections are made, attach the VPHBRK Retrofit kit plate to 2 remaining metal retainer clips.



Reattach the lens to the fixture body.



Restore power to the fixture to complete installation.

### Product Specifications:

#### Construction:

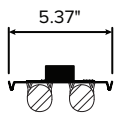
- Single piece design with pre-punched holes allowing for quick and easy installation
- Die-formed and embossed code 22 gauge steel
- High reflectance, baked white enamel finish

#### Electrical:

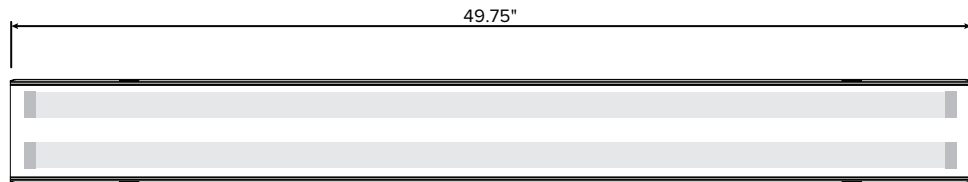
- Input Voltage: 120-277 VAC
- Power Factor @120 VAC - 0.97%, @277 VAC - 0.90%
- THD @110 VAC <10%, @277 VAC <15%
- Operating Temperature: -4°F to 122°F (-20°C to 50°C)
- CRI: >82
- Lifespan: >80,000 Hours
- Dimming: 0-10V Dimmable

### Dimensions:

#### VP4RK SERIES

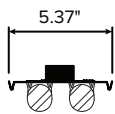


Side View

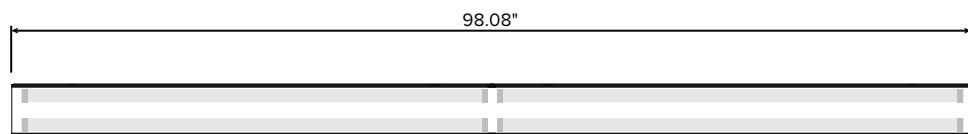


Front View

#### VP8RK SERIES

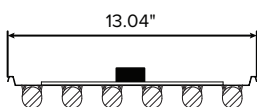


Side View

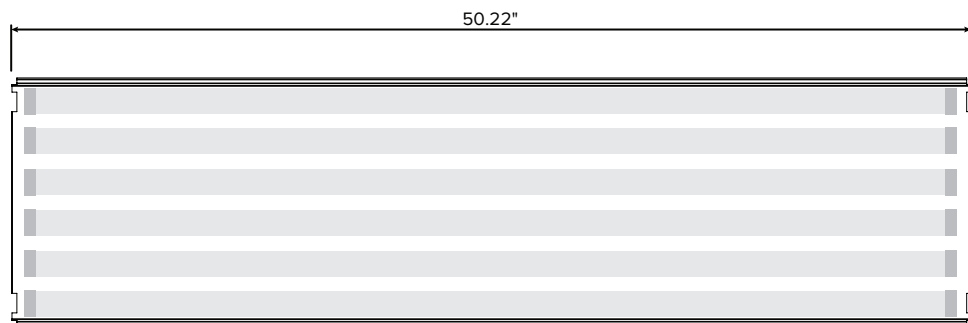


Front View

#### VPHBRK SERIES



Side View



Front View



# LED VAPOR RETROFIT KIT SERIES



## Technical Data

### Lumen Ambient Temperature (LAT) Multipliers:

AMBIENT		LUMEN MULTIPLIER
0 °C	32 °F	1.02
10 °C	50 °F	1.01
20 °C	68 °F	1
25 °C	77 °F	1
30 °C	86 °F	1
40 °C	104 °F	0.99
50 °C	122 °F	0.96

### LED Lumen Maintenance:

SYSTEM WATTS	HOURS			
	0	25000	50000	100000
<b>VP4RK</b>				
26	-	-	-	-
36				
44				
60				
<b>VP8RK</b>				
36	-	-	-	-
44				
60				
88				
120				
180				
<b>VPHBRK</b>				
60	-	-	-	-
90				
120				
150				
180				

### VP4RK - Electrical Load:

SYSTEM WATTS	INPUT CURRENT				INPUT VOLTAGE	INPUT FREQUENCY	POWER FACTOR	THD	OPERATING TEMPERATURE	DIMMING
	120 VAC	208 VAC	240 VAC	277 VAC						
26	0.22	0.13	0.11	0.09	120-277 VAC	50/60 Hz	>0.97 @120 VAC >0.90 @277 VAC	<10% @110VAC <15% @277VAC	-4°F to 122°F (-20°C to 50°C)	0-10V
36	0.30	0.17	0.15	0.13						
44	0.37	0.21	0.18	0.16						
60	0.50	0.29	0.25	0.22						

### VP8RK - Electrical Load:

SYSTEM WATTS	INPUT CURRENT				INPUT VOLTAGE	INPUT FREQUENCY	POWER FACTOR	THD	OPERATING TEMPERATURE	DIMMING
	120 VAC	208 VAC	240 VAC	277 VAC						
36	0.30	0.17	0.15	0.13	120-277 VAC	50/60 Hz	>0.97 @120 VAC >0.90 @277 VAC	<10% @110VAC <15% @277VAC	-4°F to 122°F (-20°C to 50°C)	0-10V
44	0.37	0.21	0.18	0.16						
60	0.50	0.29	0.25	0.22						
88	0.73	0.42	0.37	0.32						
120	1.00	0.58	0.50	0.43						
180	1.50	0.87	0.75	0.65						

### VPHBRK - Electrical Load:

SYSTEM WATTS	INPUT CURRENT				INPUT VOLTAGE	INPUT FREQUENCY	POWER FACTOR	THD	OPERATING TEMPERATURE	DIMMING
	120 VAC	208 VAC	240 VAC	277 VAC						
60	0.50	0.29	0.25	0.22	120-277 VAC	50/60 Hz	>0.97 @120 VAC >0.90 @277 VAC	<10% @110VAC <15% @277VAC	-4°F to 122°F (-20°C to 50°C)	0-10V
90	0.75	0.43	0.38	0.32						
120	1.00	0.58	0.50	0.43						
150	1.25	0.72	0.63	0.54						
180	1.50	0.87	0.75	0.65						