

### Key Features & Benefits:

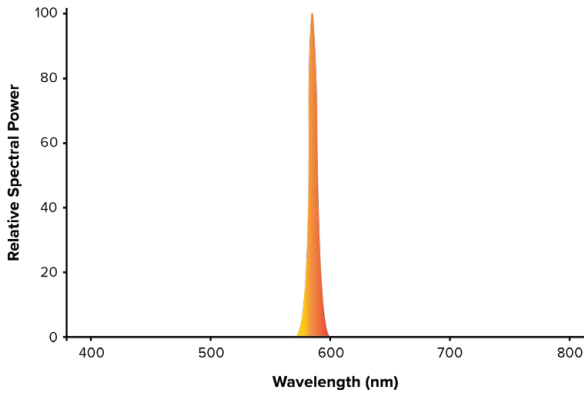
- Reduces Light Pollution and Adverse Effects on Wildlife
- Utilizes Existing Fixtures for Fast and Cost Effective Installation
- Indoor and Outdoor Applications:
  - Beach Front & Waterways
  - Airports
  - Commercial & Retail
  - Parking Lots & Buildings
  - Food & Beverage Production
- 10 Year Warranty
- Optimized Pin Array Heatsink
- Overheat Shutdown
- L70 Lifetime >100,000 Hours
- Intelligent Thermal Control
- Compatible with Networked Lighting Control Qualified Systems



Project: \_\_\_\_\_ Date: \_\_\_\_\_

Catalog #: \_\_\_\_\_

Notes: \_\_\_\_\_



### Technical Specifications:

#### Light Specifications

- Lumen Output: Up to 28,000 Lumens
- Wavelength (nanometers): 590nm
- CRI: >75
- Rated Life (hrs): 100,000 Hours
- IES Classification: Fixture Dependent
- Dimensions (LxWxH): 11.6" x 9.0" x 3.4"
- Weight Without Driver (lbs): 4.2

#### Driver Specifications

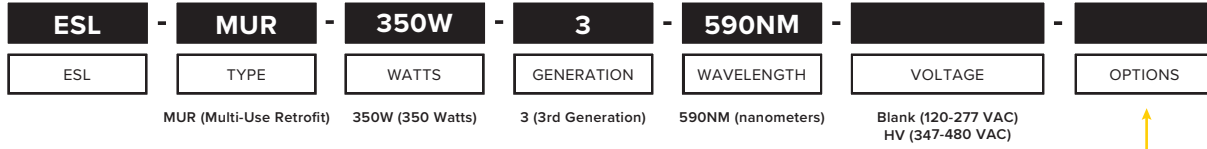
- Power: 350 Watts
- Input Voltage: 120-277 VAC, 180-528 VAC
- Input Current @120V: 2.92A
- Input Current @277V: 1.26A
- Input Current @480V: 0.73A
- Operating Temperature: -40°F to 176°F (-40°C to 80°C)
- Non-Dimmable Driver Dimensions - x2 (LxWxH): 8.97" x 2.7" x 1.53"
- 0-10v Dimmable Driver Dimensions - x2 (LxWxH): 8.97" x 2.7" x 1.53"

- High Voltage Driver Dimensions - x2 (LxWxH): 10" x 2.7" x 1.53"
- 0-10v Dimmable High Voltage Driver Dimensions - x2 (LxWxH): 10" x 2.7" x 1.53"

### Catalog Data:

ITEM#	WATTS	LUMEN OUTPUT	WAVELENGTH	INPUT VOLTAGE
ESL-MUR-350W-3-590NM	280W	28,000	590 nm	120-277 VAC
ESL-MUR-350W-3-590NM-HV	280W	28,000	590 nm	347-480 VAC

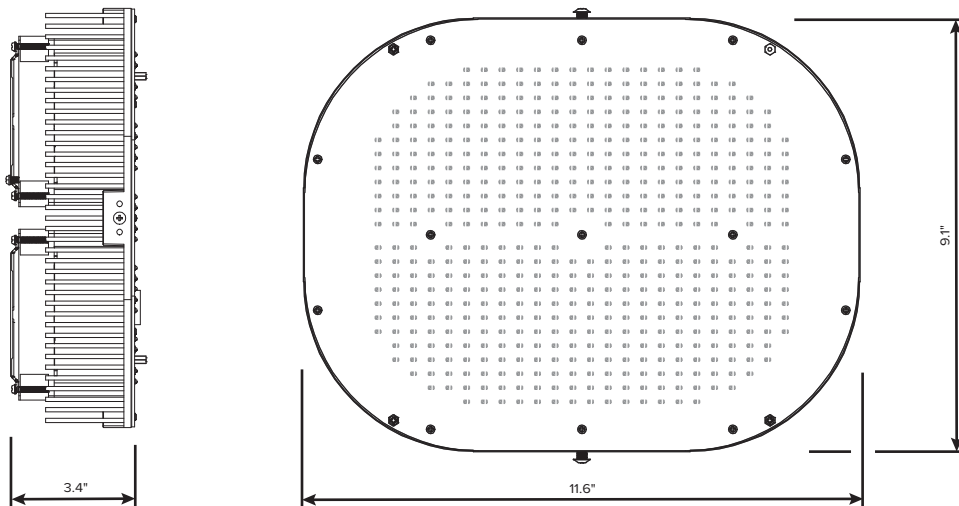
### Ordering Guide:



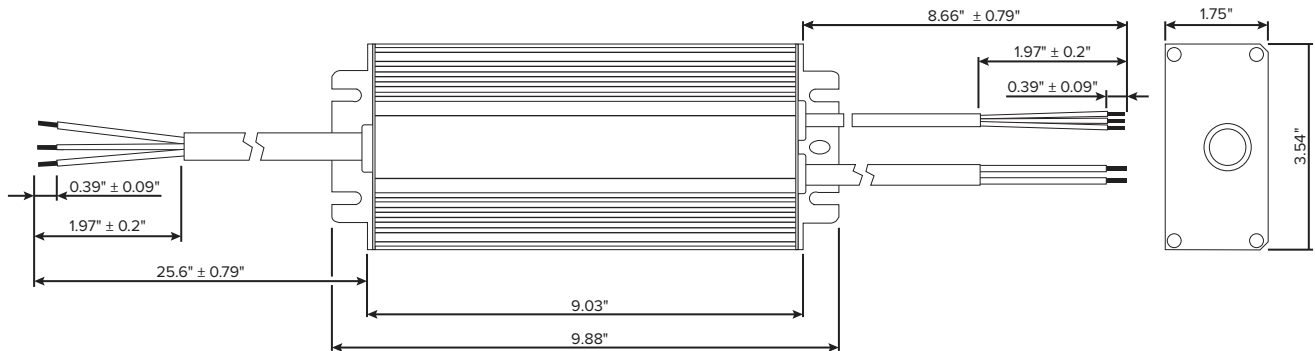
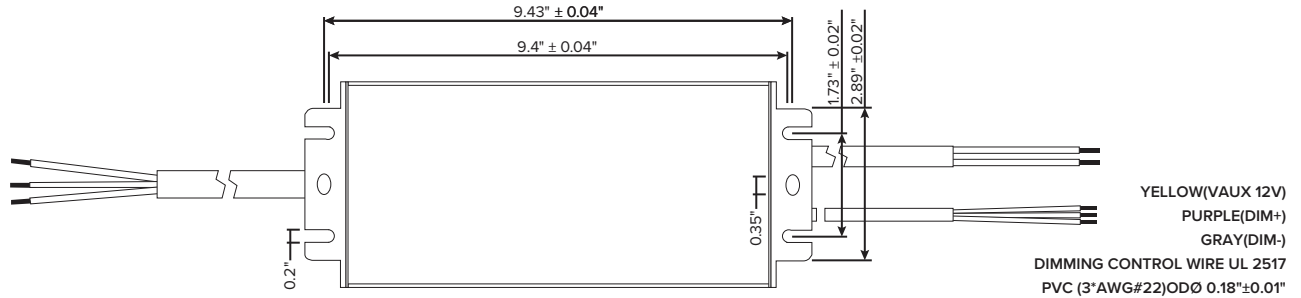
### Options (Add as Suffix):

- ESL-SPD-277-1 Surge Protector; (100-277 VAC)
- ESL-480V-SD01 480 Volt Step Down Transformer
- ESL-3OCC IP65 High Bay 0-10v Dimming Sensor. 8'- 50' Mounting, Wire From Side
- ESL-3OCCB IP65 High Bay 0-10v Dimming Sensor. 8'- 50' Mounting, Wire From Top
- ESL-4OCC-LDD Occupancy Sensor, 0-10v Dimming, 8'-20' Mounting
- ESL-REM-100 Hand Held Remote

### Dimensions:



**Standard Driver Dimensions:**



### High Voltage Driver Dimensions:

