

Key Features & Benefits:

- Reduces Light Pollution and Adverse Effects on Wildlife
- Utilizes Existing Fixtures for Fast and Cost Effective Installation
- Indoor and Outdoor Applications:
 - Beach Front & Waterways
 - Airports
 - Commercial & Retail
 - Parking Lots & Buildings
 - Food & Beverage Production
- 10 Year Warranty
- Optimized Pin Array Heatsink
- Overheat Shutdown
- L70 Lifetime >100,000 Hours
- Intelligent Thermal Control
- Compatible with Networked Lighting Control Qualified Systems

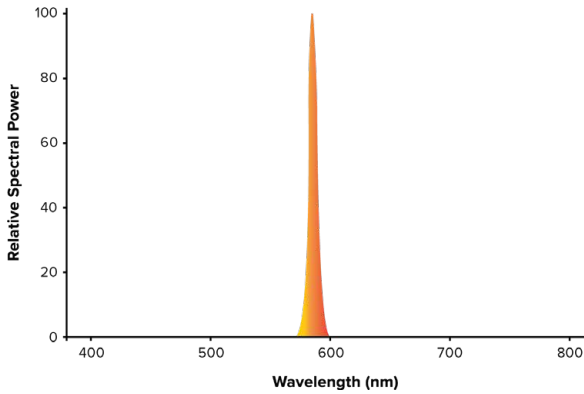


Project: _____

Date: _____

Catalog #: _____

Notes: _____



Technical Specifications:

Light Specifications

Lumen Output: Up to 3,473 Lumens
 Wavelength (nanometers): 590nm
 CRI: >75
 Rated Life (hrs): 100,000 Hours
 IES Classification: Fixture Dependent
 Dimensions (LxWxH): 4.6" x 4.6" x 2.7"
 Weight Without Driver (lbs): 0.77

Driver Specifications

Power: 45 Watts
 Input Voltage: 120-277 VAC, HV - 347-480 VAC
 Input Current @120V: 0.375A
 Input Current @277V: 0.162A
 Input Current @480V: 0.094A
 Operating Temperature: -40°F to 176°F (-40°C to 80°C)
 Non-Dimmable Driver Dimensions - (LxWxH): 6.4" x 1.7" x 1.3"
 0-10v Dimmable Driver Dimensions - (LxWxH): 6.7" x 2.4" x 1.45"

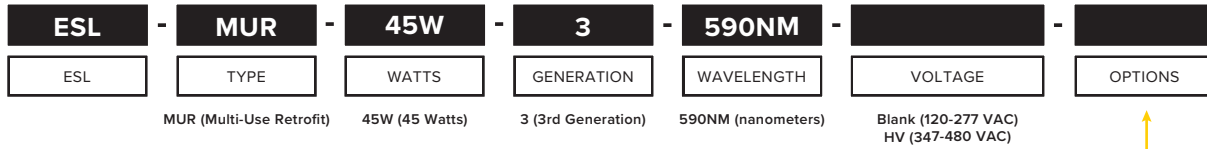
High Voltage Driver Dimensions - (LxWxH): 7.4" x 2.4" x 1.4"

0-10v Dimmable High Voltage Driver Dimensions - (LxWxH): 7.4" x 2.4" x 1.4"

Catalog Data:

ITEM#	WATTS	LUMEN OUTPUT	WAVELENGTH	INPUT VOLTAGE
ESL-MUR-45W-3-590NM	45W	3,473	590 nm	120-277 VAC
ESL-MUR-45W-3-590NM-HV	45W	3,473	590 nm	347-480 VAC

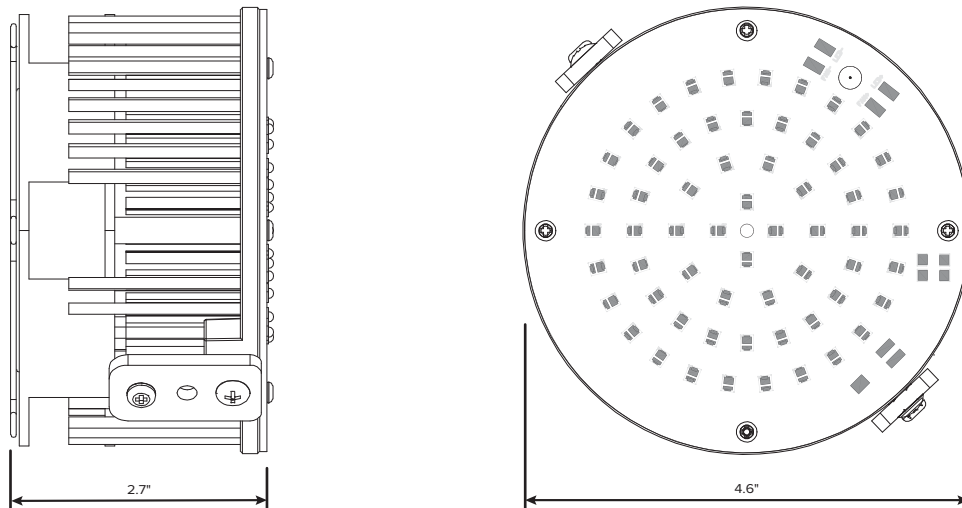
Ordering Guide:



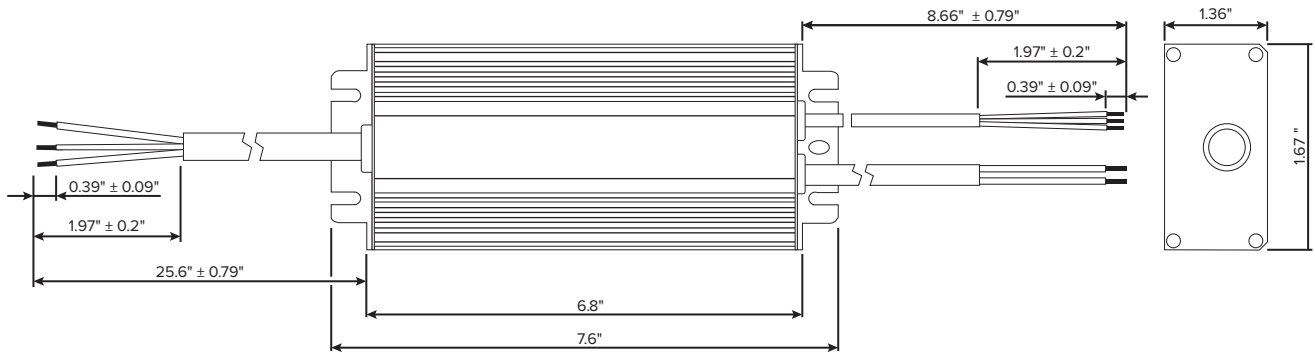
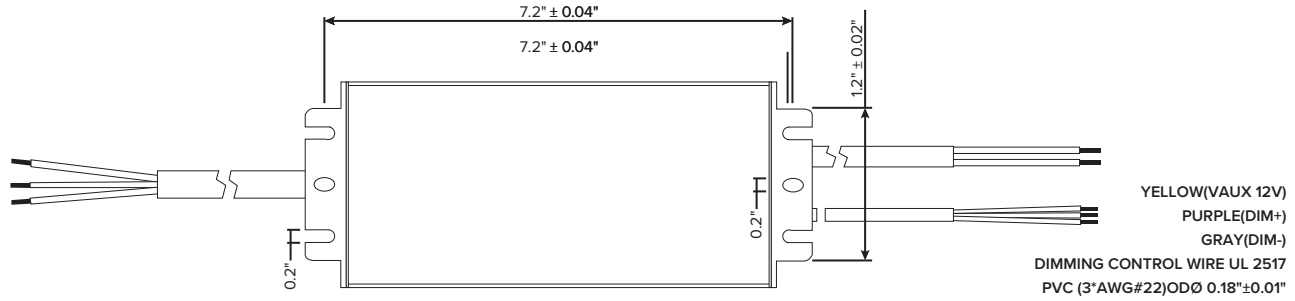
Options (Add as Suffix):

- ESL-SPD-277-1 Surge Protector; (100-277 VAC)
- ESL-480V-SD01 480 Volt Step Down Transformer
- ESL-3OCC IP65 High Bay 0-10v Dimming Sensor. 8'- 50' Mounting, Wire From Side
- ESL-3OCCB IP65 High Bay 0-10v Dimming Sensor. 8'- 50' Mounting, Wire From Top
- ESL-4OCC-LDD Occupancy Sensor, 0-10v Dimming, 8'-20' Mounting
- ESL-REM-100 Hand Held Remote

Dimensions:



Standard Driver Dimensions:



High Voltage Driver Dimensions:

