

### Key Features & Benefits:

- Field Adjust Wattage Via Mechanical Dial
- Up to 29,585 Lumens with 149 Lumens per Watt
- -20F to 140F Ambient Listing
- Field Installable Konex Sensors for Ultimate Energy Savings and Control
- 6' Driver Cord Standard with Twist Lock and Straight Blade Options
- White, Bronze, and Black Finish Options
- Wet Location Listed — IP65 Rated
- DLC Premium
- Comes Standard with Shorting Cap for Easy Field Installation of Occupancy Sensors and/or Konex Wireless Networking
- CRI >80
- Estimate L70 Lifetime 140,000 hrs Calculated Per TM21

Project: \_\_\_\_\_

Date: \_\_\_\_\_

Catalog #: \_\_\_\_\_

Notes: \_\_\_\_\_



### Product Specifications:

#### Construction:

Roswell series features a die cast aluminum housing available in white, bronze or black finishes. Ultra durable powder coat finish. All hardware is made of corrosion resistant materials enabling long life.

#### Electrical:

MV (120-277V) Driver with 0-10v (0-100%) dimming range. 12V aux output. Power adjustable through mechanical dial on driver box. 200W, 150W, 120W and 100W options. Surge protection of 6kV/4kV per ANSI C82.77-5-2015.

#### Installation:

Ships standard with hook mount. Alternative mounts available are: eye bolt mount and 3/4" conduit mount with side hole allowing to wire easily into the existing conduit. 6' cord lead for easy installation. Ships standard with 72" safety cable.

#### Optical:

Optical grade polycarbonate lens provides uniform 120 degree beam angle. Optional 60 degree beam angle available for factory or field installation.

#### Controls:

Roswell series ship with integrated Konex HM receptacle. The Konex receptacle enables the field installation of multiple wireless control options with no extra wiring. The KNX-FS7 provides microwave occupancy sensing along with an integrated power pack for wireless dimming control. KNX-RPP can be used to create wireless dimming controls with Konex wall switches. The FS7 can be grouped with RPP(s) to create Primary/Secondary relationships enabling maximum energy savings and uniform dimming control. All programming is done within the ESL Network Lighting App. See controls page for more details. The ESL-9OCC is an occupancy sensor to operate only the fixture in which it is installed. Great for basic On/Off or Dim to Off control. Program the 9OCC sensor with the REM-100 remote (sold separately).



Available in White, Bronze or Black Finishes



### Ordering Guide:

ESL	TYPE	SELECTABLE WATTAGE	GENERATION	KELVIN	FINISH	LENS	OPTIONS
ESL	RHB (RHB) Round High Bay	100200W (100200W) 100W, 120W, 150W, 200W	1 (1) 1st Generation	(xx) (40) 4000 Kelvin (50) 5000 Kelvin	(ff) (BK) Black (WH) White (BZ) Bronze	(II) (120D) 120° Default (60D) 60°	

### FACTORY INSTALLED OPTIONS

CS3W6P	Cord Set, 3 Conductor, 18 Gauge, White, 6 Foot Length, Straight Blade Plug
CS3B6P	Cord Set, 3 Conductor, 18 Gauge, Black, 6 Foot Length, Straight Blade Plug
CS3B6TL5	Cord Set, 3 Conductor, 18 Gauge, Black, 6 Foot Length, Twist lock, Nema L5–15 — 120V
CS3B6TL6	Cord Set, 3 Conductor, 18 Gauge, Black, 6 Foot Length, Twist lock, Nema L6–15 — 240V
CS3B6TL7	Cord Set, 3 Conductor, 18 Gauge, Black, 6 Foot Length, Twist lock, Nema L7–15 — 277V
EM30	Emergency Backup Battery Unit, Auto Test Function, 40 Watts Output, 90 Minutes Min, 100–347VAC Input, 170VDC Output, Factory Install, Title 20

### FIELD INSTALLED ACCESSORIES

Controls:	
ESL-KNX-FS7-RPP	Konex Occupancy Sensor with integrated RPP Controller. Field installed utilizing twist lock design for Konex high mount receptacles. 120–277 VAC with power statistics.
ESL-KNX-RPP-003	Konex Power Pack Relay Controller. Use with KNX sensors or wall switches for wireless dimming control. Field installed utilizing twist lock design for Konex High Mount Receptacles. 120–277VAC with power statistics.
ESL-9OCC-LV-HDD	High Bay Microwave Occupancy Sensor for Konex High Mount Receptacles, 12V Input, Daylight Harvesting, Up to 40 ft mounting, Microwave Sensor, 0–10 Dimming. Programmable with the REM-100.
ESL-REM-100	Wireless remote to control ESL-9OCC-LV-HDD
Mounting:	
ESL-ACCS-CMA2	Conduit Mount Adapter for Roswell Series. 3/4" NPT. Side hole allows for wiring in conduit.
ESL-RHB1-LOOP	Stainless Steel Eye Bolt Mount
ESL-RHB1-6SCBL	6' Safety Cable
ESL-RHB1-xx-YM	Yoke Mount for Roswell Series – White, Bronze, or Black finish available
Wire Guard:	
ESL-RHB1-WG	Wire Guard Cover for Roswell Series. White finish. Field Installed.
ESL-RHB1-WG-BKBZ	Wire Guard Cover for Roswell Series. Black finish. Field Installed.
Reflectors:	

### Catalog Data:

ITEM#	SELECTABLE WATTAGE	KELVIN	MAX LUMEN OUTPUT	EFFICACY (lm/W)	DLC QPL CODE
ESL-RHB-100200W-1-40-ff	100 Watts	(40) 4000K	14,500	145	PKW6GXGC
	120 Watts		17,400	145	
	150 Watts		21,750	145	
	200 Watts		28,578	146	
ESL-RHB-100200W-1-50-ff	100 Watts	(50) 5000K	14,500	145	PCRWUW6H
	120 Watts		17,400	145	
	150 Watts		21,750	145	
	200 Watts		29,585	149	

\*120 Degree beam angle lens is standard. Other lens beam angles are available and listed on DLC (60D & 90D)

### Accessories



Konex Occupancy/RPP  
ESL-KNX-2-FS7-RPP



Konex RPP  
ESL-KNX-2-RPP-003



Occupancy Sensor  
ESL-9OCC-LV-HDD



Yoke Mount  
ESL-RHB1-ff-YM



Loop Mount  
ESL-RHB1-LOOP



Conduit Mount  
ESL-ACCS-CMA2



Programming Remote  
ESL-REM-100



Emergency Backup  
ESL-EMG-HB1-CWR-30W



Airline Cable  
ESL-RHB1-6SCBL



Wire Guard  
ESL-RHB1-WG-ff



Reflector  
ESL-RHB1-ARF-90

### Lumen Ambient Temperature (LAT) Multipliers:

AMBIENT		LUMEN MULTIPLIER
0 °C	32 °F	1.02
10 °C	50 °F	1.01
20 °C	68 °F	1.00
25 °C	77 °F	1.00
30 °C	86 °F	1.00
40 °C	104 °F	0.99
50 °C	122 °F	0.96

### Comparison Technology:

SYSTEM WATTS	DESCRIPTION
100	4-lamp T5HO, 6-lamp T8
120	6-lamp T5HO, 8-lamp T8, 400W HID
150	6-lamp T5HO, 8-lamp T8, 400W HID
200	10-lamp T5HO, 575W HID

### Unified Glare Rating (UGR):

BEAM ANGLE	UGR
60°	27
120°	32.7
90° (Aluminum Reflector)	22.7

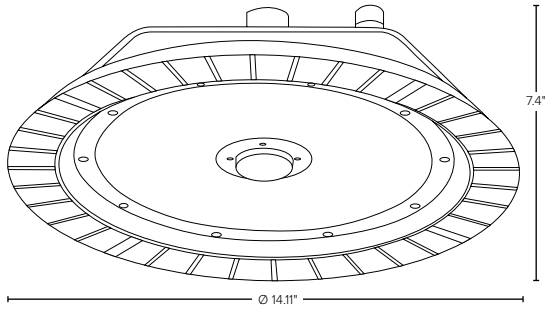
### LED Lumen Maintenance:

SYSTEM WATTS	HOURS			
	0	25000	50000	100000
100	100%	95%	90%	81%
120	100%	95%	90%	80%
150	100%	95%	90%	81%
200	100%	96%	91%	82%

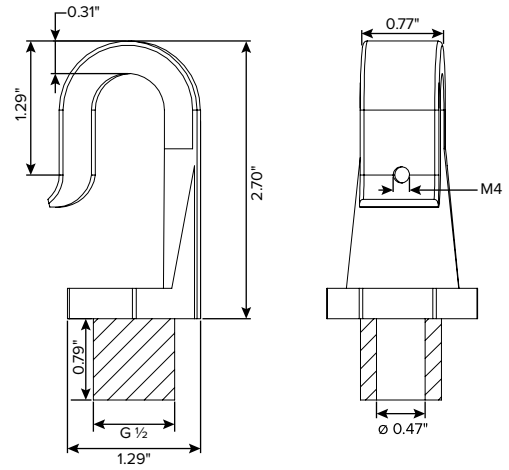
### Electrical Load — Standard Voltage:

SYSTEM WATTS	INPUT CURRENT				INPUT VOLTAGE	INPUT FREQUENCY	INPUT CURRENT	POWER FACTOR	THD	OPERATING TEMPERATURE	SURGE PROTECTION	DIMMING
	120 VAC	208 VAC	240 VAC	277 VAC								
100	0.83	0.48	0.42	0.36	120–277 VAC	50/60 Hz	0.6A@120VAC	>0.99 @120 VAC >0.96 @277 VAC	<10%	-4°F to 122°F (-20°C to 50°C)	6kV/4kV per ANSI C82.77-5- 2015	0–10V
120	1.00	0.58	0.50	0.43	120–277VAC	50/60 Hz	1A@120VAC					
150	1.25	0.72	0.63	0.54	120–277VAC	50/60 Hz	0.71A@120VAC					
200	1.67	0.96	0.83	0.72	120–277VAC	50/60 Hz	1A@120VAC					

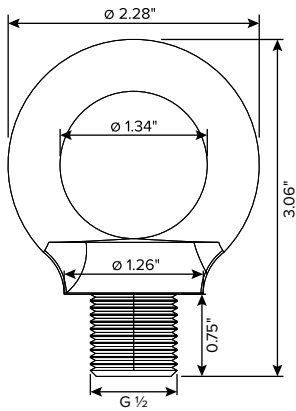
**Fixture Dimensions:**



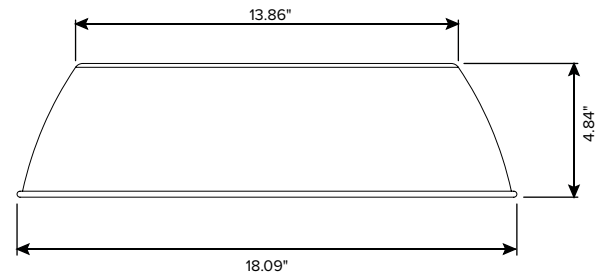
**ESL-RHB1-HM**



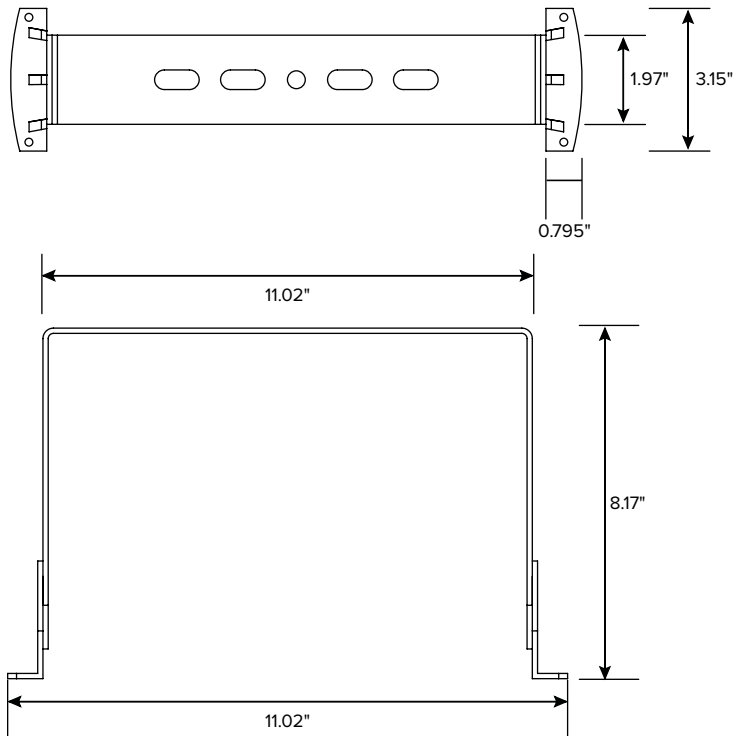
**ESL-RHB1-LOOP**



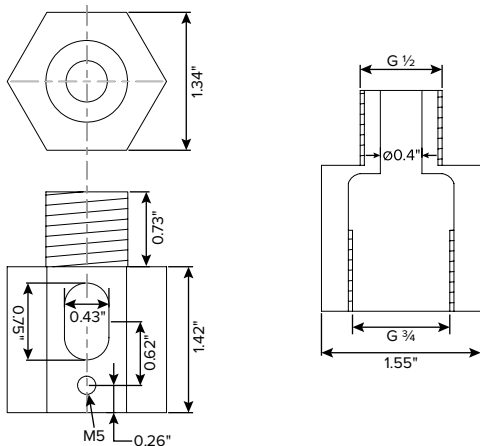
**ESL-RHB1-ARF-90**



**ESL-RHB1-xx-YM**



**ESL-ACCS-CMA2**



### Konex Technology — Production Area

- Use scheduling to dim lights in production area
- Use wireless wall switches to control lighting



### Keep it Simple Without Networking:

- The ESL-9OCC-LV-HDD is an occupancy sensor to operate only the fixture in which it is installed. Great for basic On/Off or Dim to Off control.
- Program this sensor with the REM-100 remote (sold separately)

### Konex Technology - Aisle Area:

- Group fixtures to all work off one occupancy sensor
- Easily create multiple groups to control specific locations or the entire area