

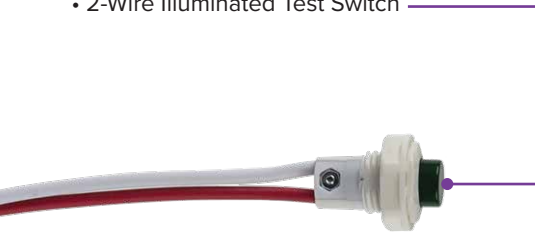
Key Features & Benefits:

- Field or Factory Installation - UL 924 and CSA C22.2 No. 141 Emergency Lighting Compliant
- Meets CEC Title 20 (California Energy Commission) Requirements
- Monthly and Yearly Auto Test Function for Reduced Maintenance
- Meets or Exceeds all NEC Emergency Lighting Standards
- Slim Profile Design
- Compatible with AC Input Lamps and DC Output Drivers (See wiring diagrams for more info)
- Constant Power Output Provides 90 Minutes of Consistent Egress Lighting with no Degradation
- Lithium-Ion Battery (7-10 Year Life Expectancy with >1000 Charging Cycles)
- 2-Wire Illuminated Test Switch

Project: _____ Date: _____

Catalog #: _____

Notes: _____



Technical Specifications:

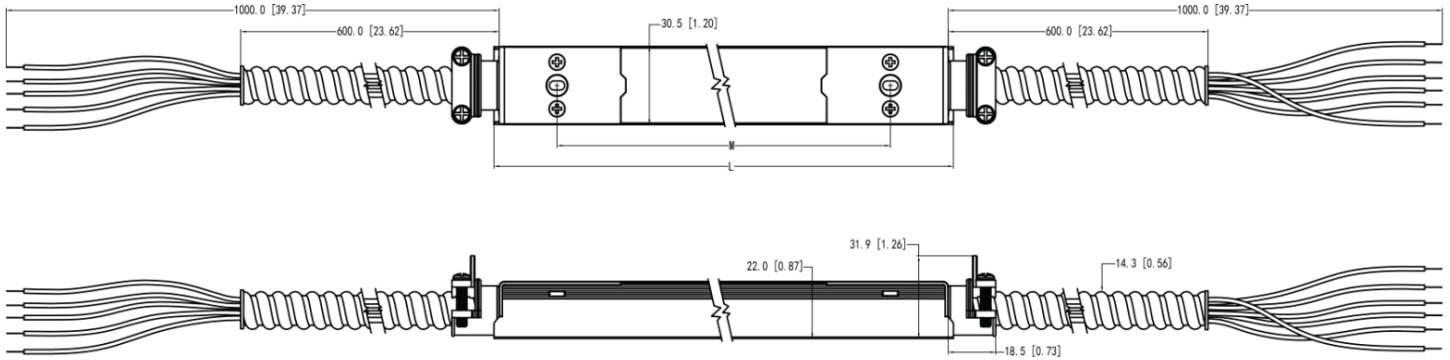
ESL-EMG-SL1-CDC-18W		
Input	Rated Current	0.06A
	Rated Power	5 Watts
	Rated Voltage	100 - 277 VAC, 50/60Hz
Output	Emergency Output Power	18 Watts
	Output Voltage	20 - 300VDC
	Output Current	1A (Max)
	Output Current of AC Driver	3A (Max)
Emergency	Operation Frequency	320kHz ≥ f ≥ 50kHz
	Emergency Operation	≥90 Minutes
	Charging Time	24 Hours
Environment	Charging Cycles	>1000
	Operating Temperature	32°F - 131°F (0°C - 50°C)
	Dimensions (LxWxH)	18.43" x 1.18" x 0.87"
	Weight	2.32 lbs

Emergency Lumen Output:

FIXTURE EFFICACY	OUTPUT POWER 5W	OUTPUT POWER 9W	OUTPUT POWER 18W
100 lm/w	500 Lumens	900 Lumens	1800 Lumens
120 lm/w	600 Lumens	1080 Lumens	2160 Lumens
140 lm/w	700 Lumens	1260 Lumens	2520 Lumens

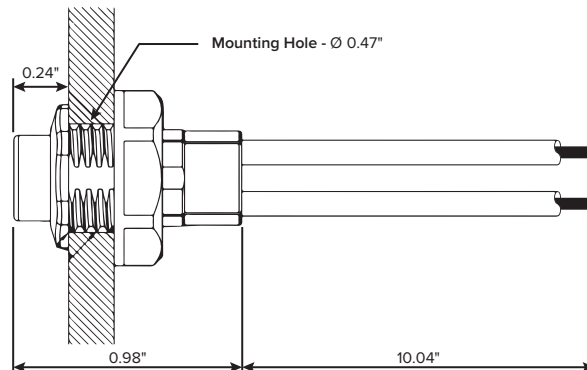
Dimensions:

EMG-SL1-CDC:



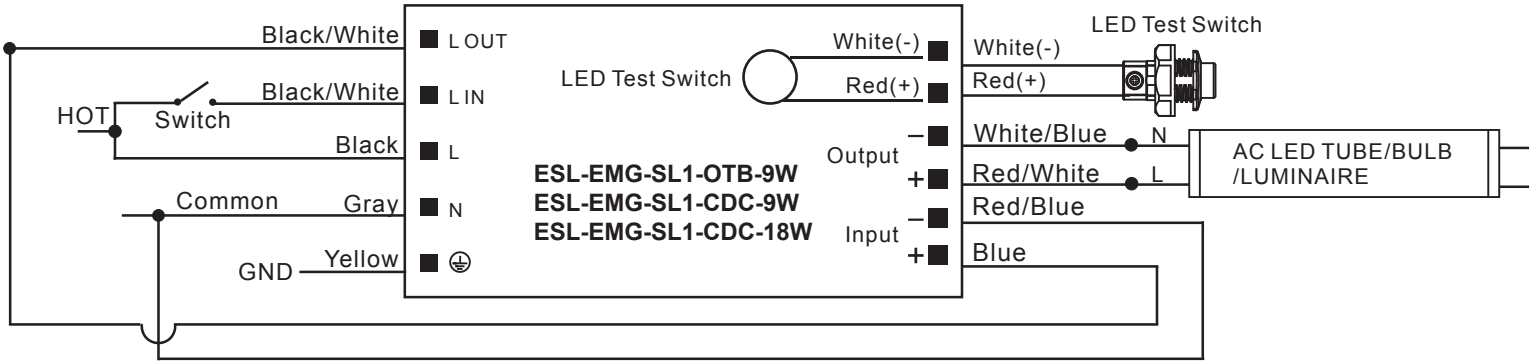
MODEL	L1	M	W	H
ESL-EMG-SL1-CDC-18W	18.43"	16.50"	1.18"	0.87"

2-Wire Illuminated Test Switch:



Typical Wiring Diagram:

FOR AC LED TUBE/BULB/LUMINAIRE



FOR DC LED LOAD

