

Key Features & Benefits:

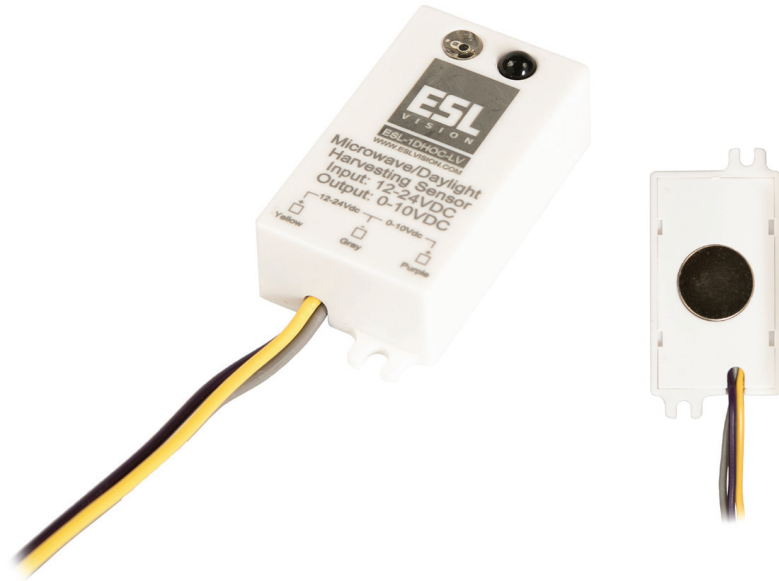
- Fully Adjustable High and Low Dimmed Light Levels
- Provides Line Voltage On/Off Switching
- Daylight Harvesting for LLLC Applications
- 0–10V Dimming Control
- Works with Ballast or LED Drivers
- Programmable via Remote Control
- Adjustable Hold Time and Stand-by Time
- Set Hold Time from 10 seconds to 60 minutes

Project: _____

Date: _____

Catalog #: _____

Notes: _____



Technical Specifications:

- Power Supply: 12VDC
- Dimming Control Output: 0–10V Max, 25mA Sinking Current
- Detection Radius/Angle: 26ft/360°
- Mounting Height: 40ft Max
- Remote Range: up to 50ft, indoor, no backlight
- Humidity: Max 95% RH
- Temperature: -40°F ~ 158°F (-40°C ~ 70°C)

ESL-REM-100*

*ESL-REM-100 Sold Separately

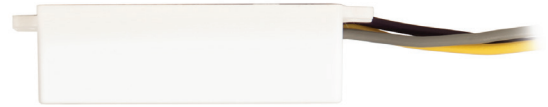


Catalog Data:

ITEM#	COLOR	DESCRIPTION
ESL-1DHOC-LV	WHITE	360° lens, maximum coverage of 48' in diameter. From 8' to 20' in height
ESL-REM-100	BLACK	Remote control for 2OCC, 4OCC, 5OCC and 1DHOC

Remote Control Programming:

The ESL-REM-100 (Sold Separately) can be use to program the 1DHOC remotely. With a range of 50ft this allows for the flexibility to re-program for any reason, at any time. Please see REM-100 spec sheet and/or instruction guide for more detailed information.



LED Indicators:

- BRIGHTNESS** – select a level to determine the maximum lumen level at full power.
- SENSITIVITY** – determines how reactive the sensor will be to movement. Range and sensitivity will vary based upon the sensor installed.
- HOLD TIME** – the duration that the light will remain on without detecting movement before dimming or turning off.
- DAYLIGHT SENSOR** – uses the photocell to adjust the LED output in conjunction with the ambient light to provide consistent lighting regardless of environmental changes. Select the **EYE** (👁️) to use a value based on the current ambient light. The numbered values correspond to the footcandle conversions listed below. The **SUN** (☀️) disables the photocell and will run the programmed settings regardless of ambient lighting.
- STAND-BY – DIM** will determine the maximum lumens to be used when there is no activity detected. A setting of **0%** will keep the light from dimming. **TIME** will determine how long the light will remain at the dimming level before shutting off completely. Setting the time to (+∞) will make the light remain on.



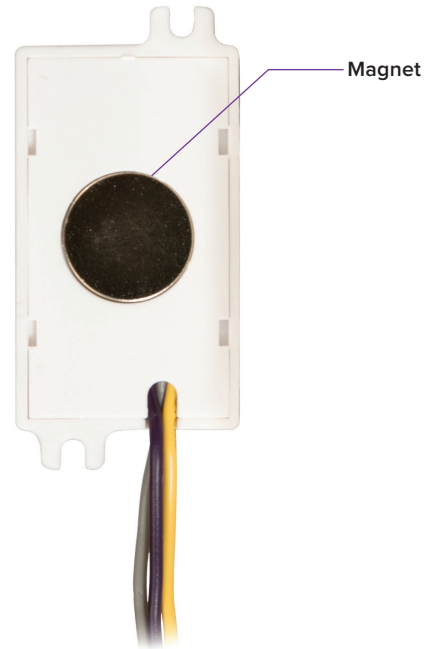
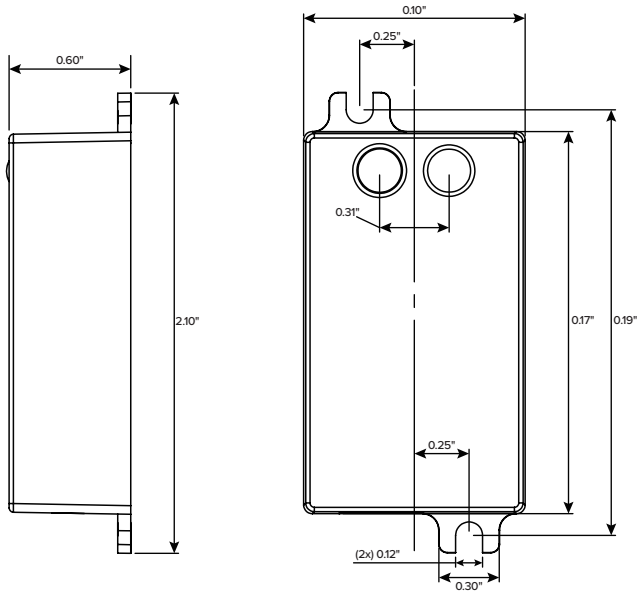
Button Operation:

- ON/OFF** – disables the sensor for a constant on or off position. To enable the sensor, press **AUTO**.
- AUTO** – press to start the sensor with the previously used settings. This must be used to utilize the sensor’s capabilities.
- RESET** – return to the default settings.
- TEST** – select sensitivity thresholds and press and then hold for two seconds. This will disable the standby time and daylight sensor in order to check the other settings. To exit, press **AUTO**.
- ARROWS** – use to make selections on the LED selectors. Press **OK** to keep the displayed selections.
- OK** – use to register selections or to clear selections when changing or viewing **MODES**
- DISPLAY** – show the last settings that were uploaded to the sensor or the current selections on the remote’s LED indicators.
- SEND** – upload and activate the current selections. The light will turn on and off to confirm. Changing the remote settings will not change the sensor settings without pressing **SEND**.
- MODES** – save preset parameters by using the **MODE** buttons.
 - TO SET:**
Press **MODE** button on remote. LED indicators will display the current settings. Use arrows to change each parameter. Press **OK** to save the settings to the selected **MODE**. To activate the settings, aim remote at sensor and press **SEND**.
- SMART PHOTOCELL SENSOR** – off by default. When enabled, the light will be controlled by the photocell only, and the occupancy settings will be disabled. If the ambient light is less than the minimum threshold, the light will remain on, *even if there is no activity*. If the ambient light is more than the maximum threshold, the light will remain off, *even if there is activity in the space*.
 - TO SET:**
Either press **DISP** or select a **MODE** to program. Use the **ARROWS** to select each setting. Set **STAND-BY TIME** to (+∞). Press (☒). By default, the **DAYLIGHT SENSOR** will highlight 10 and 300, with a **DIM** setting of 10%. Select the minimum threshold (10, 30 or 50) and the maximum threshold (100, 300 or 500). Change **DIM** level to desired percentage. Press **SEND**.

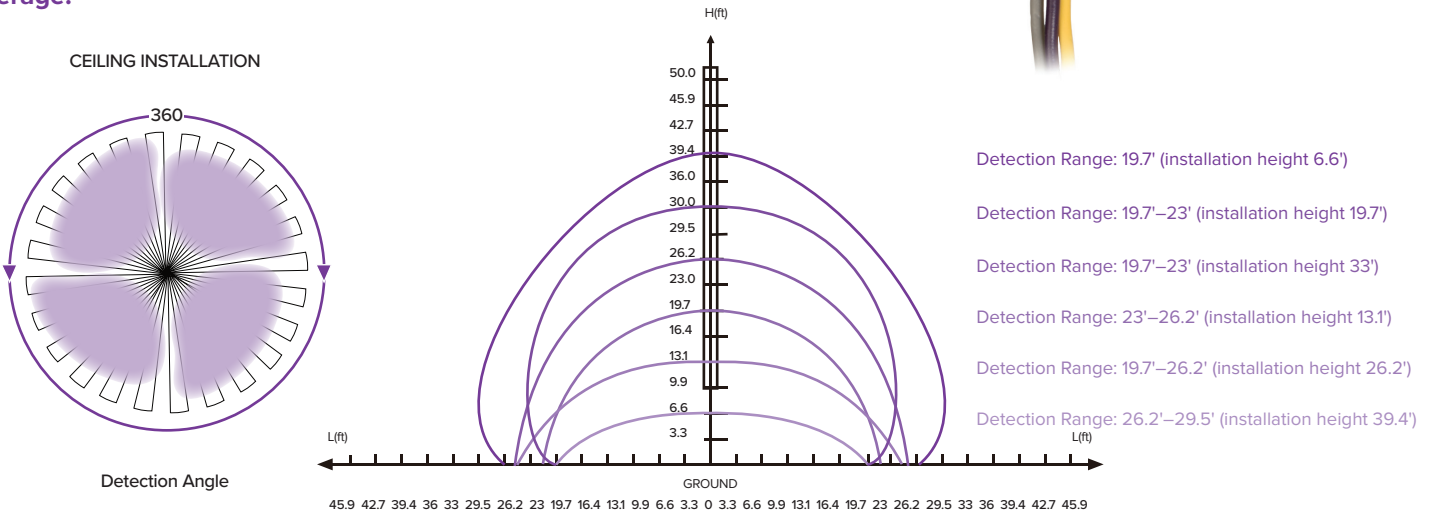
DAYLIGHT SENSOR VALUE CONVERSIONS	
10	= 0.93 footcandles
30	= 2.97 footcandles
50	= 4.65 footcandles
100	= 9.29 footcandles
300	= 27.87 footcandles
500	= 46.45 footcandles

DEFAULT SETTINGS
Brightness: 100%
Sensitivity: 100%
Hold Time: 15min
Photocell Disabled
Stand-by Dim: 30%
Stand-by Time: +∞ No Shut-Off

Dimensions:



Coverage:



Wiring:

