

Key Features & Benefits:

- Rugged Die Cast Aluminum Housing:
 - Dark bronze polyester powder coat finish
- Vented Housing Isolates LED Module from Driver Maximizing Product Life and Performance
- One-piece Construction
- Suitable for Wet Locations (IP65)
- 5 Year Limited Warranty
- Mounting options:
 - Knuckle Mount

Project: _____ Date: _____
 Catalog #: _____
 Notes: _____

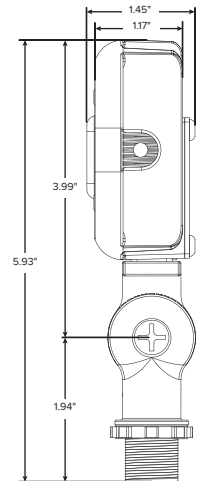
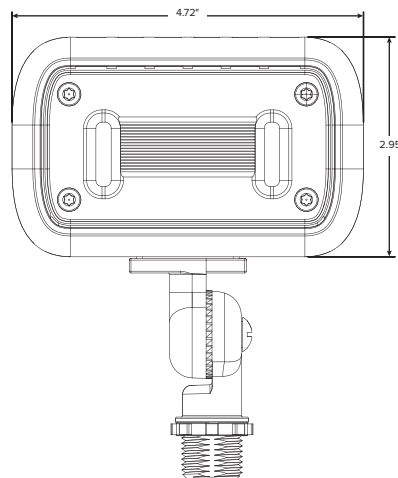
KNUCKLE MOUNT



Technical Specifications:

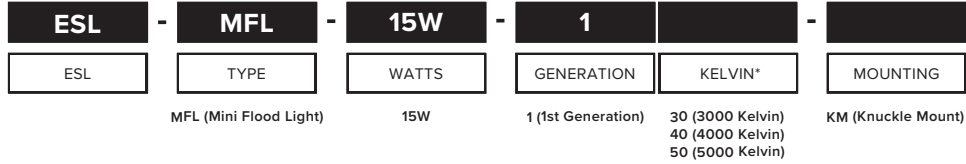
Power: 15 Watts
 Lumen Output: Up to 1,500 Lumens
 Efficacy (lm/W): Up to 100 Lumens per Watt
 Kelvin: 3000K, 4000K, 5000K
 CRI: >70
 Input Voltage: 120-277 VAC
 Life Span: 50,000 Hours
 Ingress: IP65
 Dimensions(LxWxD)*: 4.72" x 2.95" x 1.45"
 *Measurements without mounting option

Dimensions:



Ordering Guide:

Example Part Number: **ESL-MFL-15W-130-KM**



Catalog Data:

ITEM#	WATTS	LUMEN OUTPUT	EFFICACY (lm/W)	KELVIN	CRI	DLC QPL CODE
ESL-MFL-15W-130-KM	15W	1,373	93	3000K	>70	P9NR4XTF
ESL-MFL-15W-140-KM	15W	1,500	100	4000K	>70	PWZUTNYW
ESL-MFL-15W-150-KM	15W	1,500	100	5000K	>70	P24DE22K