

**Key Features & Benefits:**

- Rugged Die Cast Aluminum Housing:
  - Dark bronze polyester powder coat finish
- Vented Housing Isolates LED Module from Driver Maximizing Product Life and Performance
- One-piece Construction
- Suitable for Wet Locations (IP65)
- 5 Year Limited Warranty
- Mounting options:
  - Knuckle Mount

Project: \_\_\_\_\_ Date: \_\_\_\_\_  
 Catalog #: \_\_\_\_\_  
 Notes: \_\_\_\_\_



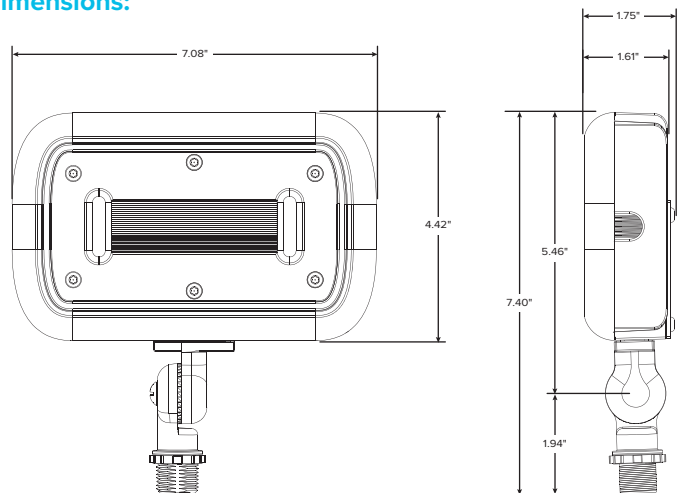
**KNUCKLE MOUNT**



**Technical Specifications:**

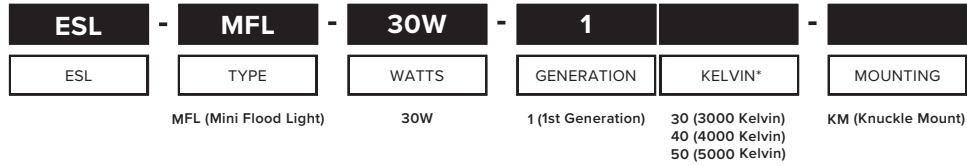
- Power: 30 Watts
  - Lumen Output: Up to 3,000 Lumens
  - Efficacy (lm/W): Up to 100 Lumens per Watt
  - Kelvin: 3000K, 4000K, 5000K
  - CRI: >70
  - Input Voltage: 120-277 VAC
  - Life Span: 50,000 Hours
  - Ingress: IP65
  - Dimensions(LxWxD)\*: 7.08" x 4.42" x 1.75"
- \*Measurements without mounting option

**Dimensions:**



### Ordering Guide:

Example Part Number: **ESL-MFL-30W-130-KM**



### Catalog Data:

ITEM#	WATTS	LUMEN OUTPUT	EFFICACY (lm/W)	KELVIN	CRI	DLC QPL CODE
ESL-MFL-30W-130-KM	30W	2,693	95	3000K	>70	PN14713M
ESL-MFL-30W-140-KM	30W	3,000	100	4000K	>70	PK1ZUVR3
ESL-MFL-30W-150-KM	30W	3,000	100	5000K	>70	PMVWM3VR