

Key Features & Benefits:

- Rugged Die Cast Aluminum Housing:
 - Dark bronze polyester powder coat finish
- Vented Housing Isolates LED Module from Driver Maximizing Product Life and Performance
- One-piece Construction
- Suitable for Wet Locations (IP65)
- 5 Year Limited Warranty
- Mounting options:
 - Knuckle Mount

Project: _____

Date: _____

Catalog #: _____

Notes: _____



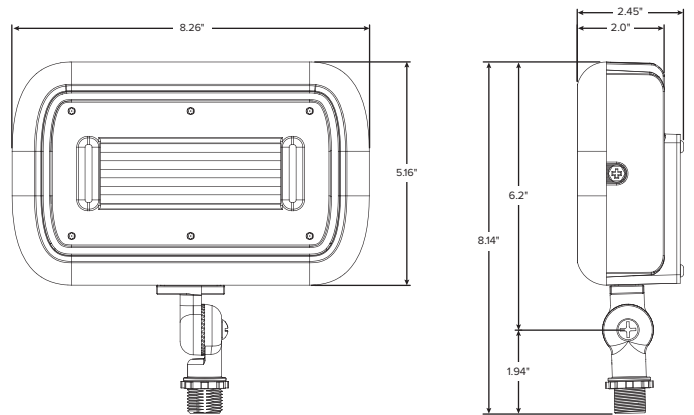
KNUCKLE MOUNT



Technical Specifications:

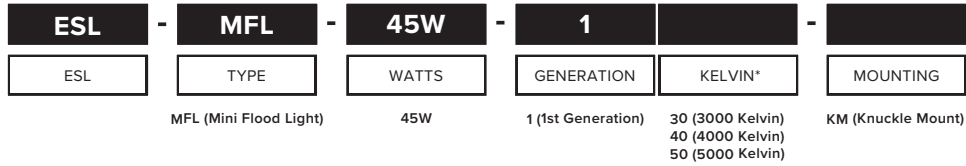
- Power: 45 Watts
 - Lumen Output: Up to 5,400 Lumens
 - Efficacy (lm/W): Up to 120 Lumens per Watt
 - Kelvin: 3000K, 4000K, 5000K
 - CRI: >70
 - Input Voltage: 120-277 VAC
 - Life Span: 50,000 Hours
 - Ingress: IP65
 - Dimensions(LxWxD)*: 8.26" x 5.16" x 2.45"
- *Measurements without mounting option

Dimensions:



Ordering Guide:

Example Part Number: **ESL-MFL-45W-130-KM**



Catalog Data:

ITEM#	WATTS	LUMEN OUTPUT	EFFICACY (lm/W)	KELVIN	CRI	DLC QPL CODE
ESL-MFL-45W-130-KM	45W	5,152	114	3000K	>70	PSM53ZTA
ESL-MFL-45W-140-KM	45W	5,400	120	4000K	>70	PGPTBBY4
ESL-MFL-45W-150-KM	45W	5,400	120	5000K	>70	P3GPF2HY