

**Performance Overview:**

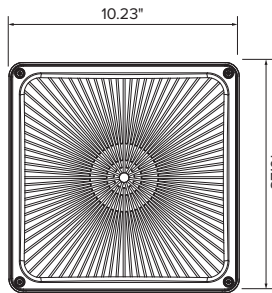
Adjustable Wattage: 30, 40 or 60 Watts  
 Lumen Output: Up to 7,296 Lumens  
 Efficacy (lm/W): Up to 125 Lumens  
 Kelvin Adjustable: 3000K, 4000K or 5000K  
 CRI: >80

Project: \_\_\_\_\_ Date: \_\_\_\_\_  
 Catalog #: \_\_\_\_\_  
 Notes: \_\_\_\_\_



**ADJUSTABLE  
WATTAGE**

**KELVIN  
ADJUSTABLE**



Front



Side



Optional Sensors Available:  
 - Photocell Sensor  
 - Occupancy and Daylight Harvesting  
 Sensor with Optional Remote Programming



Field Adjustable Wattage and Kelvin  
 30 Watt - 40 Watt - 60 Watt  
 3000K - 4000K - 5000K

**Ordering Guide:**

<b>ESL</b>	<b>CP</b>	<b>3060W</b>	<b>4</b>	<b>3050</b>	
ESL	TYPE	ADJUSTABLE WATTAGE	GENERATION	KELVIN ADJUSTABLE	FINISH
	CP (Canopy)	3060W	4 (4th Generation)	3000K 4000K 5000K	BZ (Bronze) GR (Grey)

**Options (Factory Installed)**

EM8 (EMG, Auto Test Function, 8 Watts Output, 90 Minutes MIn, 120-277VAC Input, 25-48VDC Output, EMG Housing)
DHOC (Stand Alone Daylight Harvesting and Occupancy Sensor--Qualifies fixture for LLLC. Uses REM-100 for programming)
PC (Button Photocell)

**Accessories (Field Installed)**

ESL-REM-100 (Hand Held Remote to Program 1DHOC)
---

†Not All Part Numbers DLC Qualified. For a Complete Listing Please Consult the DLC Qualified Products List (QPL).

### Options & Accessories:



#### ESL-WP-PC

Power: 2 Watts

Working Voltage: 120-277 VAC

Operating Level: 10~20Lx On, 30~80Lx Off

Operating Temperature: -40°F ~ 158°F

Comes factory installed



#### ESL-1DHOC-LV

Power Supply: 12VDC

Mounting Height: 40ft Max

Remote Range: up to 50ft, indoor, no backlight

Temperature: -40°F ~ 158°F (-40°C ~ 70°C)

For more information please see the ESL-1DHOC-LV cut sheet.  
Programmable via ESL-REM-100 (Sold Separately)

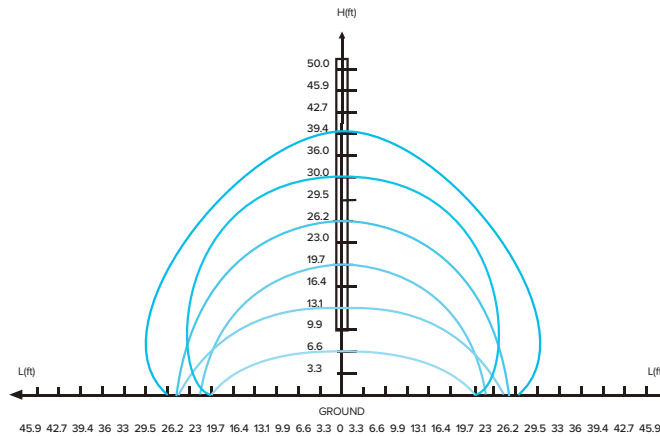
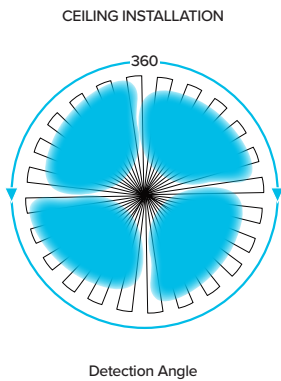


EMERGENCY HOUSING



ESL-REM-100

### 1DHOC Coverage:



Detection Range: 19.7' (installation height 6.6')

Detection Range: 19.7'-23' (installation height 19.7')

Detection Range: 19.7'-23' (installation height 33')

Detection Range: 23'-26.2' (installation height 13.1')

Detection Range: 19.7'-26.2' (installation height 26.2')

Detection Range: 26.2'-29.5' (installation height 39.4')

### Product Specifications:

#### Optical:

- Precision Engineered Optical Lens
- Consistent Uniformity
- Impact Resistant
- UV Protection

#### Construction:

- Die Cast Aluminum Housing
- High Performance Heat Sink
- Weathertight LED Driver Housing
- Continuous Gasket Seal
- Low Profile Light Weight Design
- Housing is Completely Sealed and is Suitable for Hose Down Applications
- (3) 1/2" Threaded Conduit on Sides
- (1) 3/4" Threaded Conduit on Back of Housing

#### Electrical:

Adjustable Wattage: 30 | 40 | 60 | Watts

Power Factor: >0.95

Input Voltage: 120-277 VAC

Total Harmonic Distortion (THD): <20%

Operating Temperature: -40°F to 140°F (-40°C to 60°C)

L70: 125K Hours\*

L90: 36K Hours\*

Surge Protection: 6kV

Dimming: 0-10V Dimmable with 12V AUX

\*See LED Lumen Maintenance Chart on Page 3

### Catalog Data:

ITEM#	WATTAGE ADJUSTABLE	MAX LUMEN OUTPUT	MAX EFFICACY (lm/W)	ADJUSTABLE KELVIN	DLC QPL CODE
ESL-CP-3060W-43050-BZ	30W   40W   60W	7,296	125	3000K   4000K   5000K	PLYIQVHIPFI5
ESL-CP-3060W-43050-GR	30W   40W   60W	7,296	125	3000K   4000K   5000K	PLYIQVHIPFI5



### Lumen Ambient Temperature (LAT) Multipliers:

AMBIENT		LUMEN MULTIPLIER
0 °C	32 °F	1.02
10 °C	50 °F	1.01
20 °C	68 °F	1
25 °C	77 °F	1
30 °C	86 °F	1
40 °C	104 °F	0.99
50 °C	122 °F	0.96

### Electrical Load:

SYSTEM WATTS	CURRENT			
	120	208	240	277
30	0.25	0.14	0.13	0.11
40	0.33	0.19	0.17	0.14
60	0.50	0.29	0.25	0.22

### BUG Ratings:

SYSTEM WATTS	3000K					4000K					5000K				
	LUMENS	B	U	G	LPW	LUMENS	B	U	G	LPW	LUMENS	B	U	G	LPW
30	4,140	2	2	1	138	4,302	2	2	1	143	4,203	2	2	1	140
40	5,387	2	2	1	135	5,655	2	2	1	141	5,530	2	2	1	138
60	7,783	3	3	2	130	8,266	3	3	2	138	8,075	3	3	2	135

### Zonal Lumen Summary - 30W:

Mounting Height - 8 feet

30 WATTS - 3000K			30 WATTS - 4000K			30 WATTS - 5000K		
ZONE	LUMENS	%FIXT	ZONE	LUMENS	%FIXT	ZONE	LUMENS	%FIXT
0-30	700.6	16.90%	0-30	725.8	16.90%	0-30	706.4	16.80%
0-40	1,237.40	29.90%	0-40	1,284.30	29.90%	0-40	1,253.00	29.80%
0-60	2,650.70	64%	0-60	2,751.40	64%	0-60	2,684.80	63.90%
60-90	1,451.40	35.10%	60-90	1,510.10	35.10%	60-90	1,478.50	35.20%
70-100	656.7	15.90%	70-100	683.7	15.90%	70-100	669.2	15.90%
90-120	28.2	0.70%	90-120	30.1	0.70%	90-120	29.3	0.70%
0-90	4,102.10	99.10%	0-90	4,261.50	99.10%	0-90	4,163.30	99.10%
90-180	37.5	0.90%	90-180	40.5	0.90%	90-180	39.3	0.90%
0-180	4,139.60	100%	0-180	4,302.00	100%	0-180	4,202.60	100%

### Zonal Lumen Summary - 40W:

Mounting Height - 12 feet

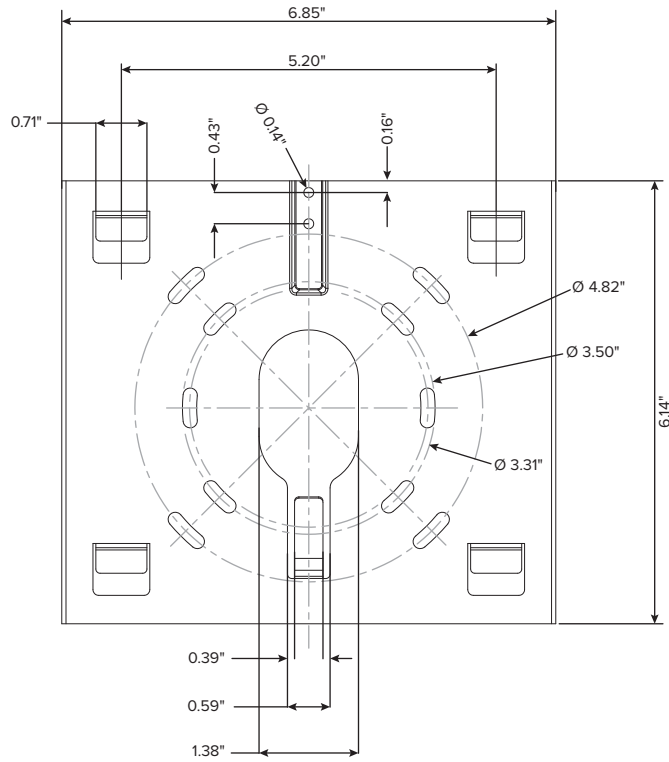
40 WATTS - 3000K			40 WATTS - 4000K			40 WATTS - 5000K		
ZONE	LUMENS	%FIXT	ZONE	LUMENS	%FIXT	ZONE	LUMENS	%FIXT
0-30	909.9	16.90%	0-30	953	16.90%	0-30	928.2	16.80%
0-40	1,607.20	29.80%	0-40	1,686.30	29.80%	0-40	1,646.70	29.80%
0-60	3,444.30	63.90%	0-60	3,613.70	63.90%	0-60	3,528.70	63.80%
60-90	1,886.90	35%	60-90	1,983.60	35.10%	60-90	1,942.80	35.10%
70-100	854.1	15.90%	70-100	897.8	15.90%	70-100	880	15.90%
90-120	39.7	0.70%	90-120	41.6	0.70%	90-120	41.9	0.80%
0-90	5,331.20	99%	0-90	5,597.30	99%	0-90	5,471.50	98.90%
90-180	55.5	1%	90-180	57.3	1%	90-180	58.6	1.10%
0-180	5,386.70	100%	0-180	5,654.60	100%	0-180	5,530.10	100%

### Zonal Lumen Summary - 60W:

Mounting Height - 20 feet

60 WATTS - 3000K			60 WATTS - 4000K			60 WATTS - 5000K		
ZONE	LUMENS	%FIXT	ZONE	LUMENS	%FIXT	ZONE	LUMENS	%FIXT
0-30	1,313.70	16.90%	0-30	1,390.30	16.80%	0-30	1,390.30	16.80%
0-40	2,320.50	29.80%	0-40	2,460.70	29.80%	0-40	2,460.70	29.80%
0-60	4,974.20	63.90%	0-60	5,275.50	63.80%	0-60	5,275.50	63.80%
60-90	2,725.00	35%	60-90	2,897.40	35.10%	60-90	2,897.40	35.10%
70-100	1,234.00	15.90%	70-100	1,312.50	15.90%	70-100	1,312.50	15.90%
90-120	59.2	0.80%	90-120	65	0.80%	90-120	65	0.80%
0-90	7,699.30	98.90%	0-90	8,172.90	98.90%	0-90	8,172.90	98.90%
90-180	83.4	1.10%	90-180	92.8	1.10%	90-180	92.8	1.10%
0-180	7,782.70	100%	0-180	8,265.80	100%	0-180	8,265.80	100%

### Mounting Plate Specifications:



### Emergency Box Specifications:

