

Key Features & Benefits:

- Up to 150 Lumens per Watt
- Standard 10 Year Warranty with Optional 20 Year Warranty
- Multiple Beam Angle Options for Precise Illumination
- 1-Piece Easy Installation
- Custom Control Options (Contact Factory)

Project: _____

Date: _____

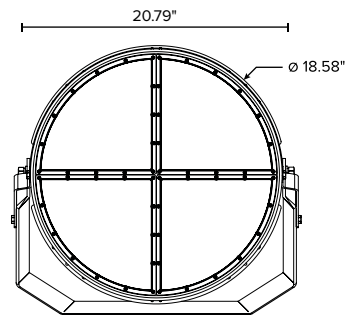
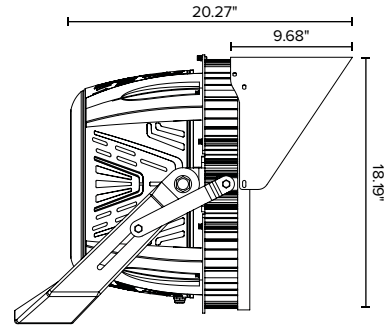
Catalog #: _____

Notes: _____



Technical Specifications:

- Power: 750 Watts
- Lumen Output: Up to 105,384 Lumens
- Efficacy (lm/W): Up to 139 Lumens per Watt
- Kelvin: 5000K
- CRI: >70
- Power Frequency: 50/60Hz
- Power Factor: >0.95
- Operating Temperature: -4°F~140°F (-20°C~60°C)
- Input Voltage: 120-277 VAC, HV - 277-480 VAC
- Life Span: >100,000 Hours
- Weight:
 - 300W, 400W, 500W, 600W: 27.56lbs
 - 750W, 1200W: 50.71lbs



Ordering Guide:

ESL	-	SPT	-	750W	-	1	-	50	-		-	
ESL	-	TYPE	-	WATTS	-	GENERATION	-	KELVIN	-	INPUT VOLTAGE	-	BEAM ANGLE
		SPT (Sport Light)		750W 1200W		1 (1st Generation)		50 (5000 Kelvin)		Blank (120-277 VAC) HV (277-480 VAC)		15 (15 Degree) 20 (20 Degree) 25 (25 Degree) 40 (40 Degree) 60 (60 Degree) 80 (80 Degree)

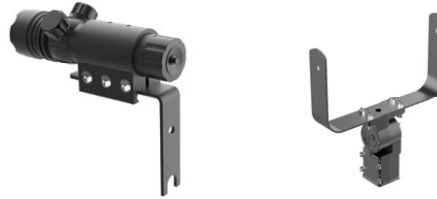
Accessories (Field Install):

LASER:

ESL-SPT-LASER (Sports Light Laser Aiming device)

MOUNTS:

ESL-SPT-SP (Sports Light Slip Fitter Mount - for 300-600W)



Catalog Data:

ITEM#	WATTS	LUMEN OUTPUT	EFFICACY (LM/W)	KELVIN	DLC QPL CODE
ESL-SPT-300W-150-xx-15	300W	37,389	121	5000K	PL8183TN
ESL-SPT-300W-150-xx-30	300W	45,142	150	5000K	PC3LCGFM
ESL-SPT-300W-150-xx-40	300W	46,440	153	5000K	P3C4SAIN
ESL-SPT-300W-150-xx-60	300W	43,518	144	5000K	PB05G1UA
ESL-SPT-400W-150-xx-15	400W	52,645	138	5000K	PNNWVIDH
ESL-SPT-400W-150-xx-30	400W	60,000	150	5000K	PRUANAES
ESL-SPT-400W-150-xx-40	400W	60,800	152	5000K	PF8ZCY2J
ESL-SPT-400W-150-xx-60	400W	58,000	145	5000K	PZ8EMAB6
ESL-SPT-500W-150-xx-15	500W	63,420	136	5000K	PX01VWV2
ESL-SPT-500W-150-xx-30	500W	75,000	150	5000K	P9BDT8UF
ESL-SPT-500W-150-xx-40	500W	76,000	152	5000K	PAEPRKJ7
ESL-SPT-500W-150-xx-60	500W	72,500	145	5000K	PCWCAHZ1
ESL-SPT-600W-150-xx-15	600W	77,571	137	5000K	P8AM0ZU9
ESL-SPT-600W-150-xx-30	600W	90,000	150	5000K	P1WLOFEZ
ESL-SPT-600W-150-xx-40	600W	91,200	152	5000K	P8TH1Y1A
ESL-SPT-600W-150-xx-60	600W	86,895	143	5000K	PSGH4CU0
ESL-SPT-750W-150-xx-15	750W	105,384	139	5000K	PKZT6L90
ESL-SPT-750W-150-xx-20	750W	104,342	138	5000K	PJGZAFPJ
ESL-SPT-750W-150-xx-25	750W	104,185	138	5000K	PDC8Z9WR
ESL-SPT-750W-150-xx-40	750W	103,858	138	5000K	PDN45AD7
ESL-SPT-750W-150-xx-60	750W	97,729	128	5000K	PNQP34AR
ESL-SPT-750W-150-xx-80	750W	97,148	128	5000K	PXK5L5SR
ESL-SPT-1200W-150-xx-15	1200W	162,000	135	5000K	PE2L2TWQ
ESL-SPT-1200W-150-xx-20	1200W	160,800	134	5000K	PBZWEVVD
ESL-SPT-1200W-150-xx-25	1200W	159,600	133	5000K	PJZCN3B4
ESL-SPT-1200W-150-xx-40	1200W	158,400	132	5000K	PZ08DSKE
ESL-SPT-1200W-150-xx-60	1200W	156,000	130	5000K	PMK0L08B
ESL-SPT-1200W-150-xx-80	1200W	157,804	126	5000K	PMJK8TJC

*XX = Input Voltage: Blank - 120-277 VAC, HV - 277-480 VAC

Construction:

- Rugged Die Cast Aluminum Electrical and Optics Housing
- Multiple Mounting Options: Standard Trunion Mount with Adjustable Tilting
- Powder Coated for Extreme Durability Against the Harshesht Environments
- Effective Projected Area (EPA) For 300W-600W: 1.59 Square ft
- Effective Projected Area (EPA) For 750W-1200W: 2.92 Square ft

Electrical:

- Robust Surge Protection of 20kV/10kA
- 1-10V Dimming Driver
- 150+ Lumens per Watt
- Multivolt 120-277V or High Voltage 277-480V Available
- Power Factor: >0.95
- Total Harmonic Distortion (THD) <15%

Optical:

- Precision Molded Polycarbonate Lens Enable Best In Class Optic Distribution
- Multiple Beam Angles to Choose From. See Ordering Guide for Details
- CRI Minimum of 70



Lumen Ambient Temperature (LAT) Multipliers:

AMBIENT		LUMEN MULTIPLIER
0 °C	32 °F	1.02
10 °C	50 °F	1.01
20 °C	68 °F	1
25 °C	77 °F	1
30 °C	86 °F	1
40 °C	104 °F	0.99
50 °C	122 °F	0.96

Comparison Technology:

SYSTEM WATTS	DESCRIPTION
300	1000 Watt Metal Halide
400	1000 Watt Metal Halide
500	1500 Watt Metal Halide
600	1500 Watt Metal Halide
750	2000 Watt Metal Halide
1200	(2) 1000 Watt Metal Halides

Electrical Load - Standard Voltage:

SYSTEM WATTS	INPUT CURRENT				INPUT VOLTAGE	INPUT FREQUENCY	POWER FACTOR	THD	OPERATING TEMPERATURE	SURGE PROTECTION	DIMMING
	120 VAC	208 VAC	240 VAC	277 VAC							
300	2.50	1.44	1.25	1.08	120-277VAC	50/60 Hz	>0.95	<15%	-22°F~122°F (30°C ~ +50°C)	10kV	1-10V
400	3.33	1.92	1.67	1.44	120-277VAC	50/60 Hz	>0.95	<15%	-22°F~122°F (30°C ~ +50°C)	10kV	1-10V
500	4.17	2.40	2.08	1.81	100-277VAC	50/60 Hz	>0.95	<15%	-22°F~122°F (30°C ~ +50°C)	10kV	1-10V
600	5.00	2.88	2.50	2.17	100-277VAC	50/60 Hz	>0.95	<15%	-22°F~122°F (30°C ~ +50°C)	10kV	1-10V
750	6.25	3.61	3.13	2.71	100-277VAC	50/60 Hz	>0.95	<15%	-22°F~122°F (30°C ~ +50°C)	10kV	1-10V
1200	10.00	5.77	5.00	4.33	100-277VAC	50/60 Hz	>0.95	<15%	-22°F~122°F (30°C ~ +50°C)	10kV	1-10V

Electrical Load - Standard Voltage:

SYSTEM WATTS	INPUT CURRENT			INPUT VOLTAGE	INPUT FREQUENCY	POWER FACTOR	THD	OPERATING TEMPERATURE	SURGE PROTECTION	DIMMING
	277 VAC	347 VAC	480 VAC							
300	1.08	0.86	0.63	240-480VAC	50/60 Hz	>0.95	<15%	-22°F~122°F (30°C ~ +50°C)	10kV	1-10V
400	1.44	1.15	0.83	240-480VAC	50/60 Hz	>0.95	<15%	-22°F~122°F (30°C ~ +50°C)	10kV	1-10V
500	1.81	1.44	1.04	240-480VAC	50/60 Hz	>0.95	<15%	-22°F~122°F (30°C ~ +50°C)	10kV	1-10V
600	2.17	1.73	1.25	240-480VAC	50/60 Hz	>0.95	<15%	-22°F~122°F (30°C ~ +50°C)	10kV	1-10V
750	2.71	2.16	1.56	240-480VAC	50/60 Hz	>0.95	<15%	-22°F~122°F (30°C ~ +50°C)	10kV	1-10V
1200	4.33	3.46	2.50	240-480VAC	50/60 Hz	>0.95	<15%	-22°F~122°F (30°C ~ +50°C)	10kV	1-10V



Precision Lighting:

ESL Vision offers lighting layouts with illuminance calculations and aiming diagrams for pin-point precision in creating the optimal lighting for any venue. With a 240° tilt range, a 110° orient range and the optional aiming laser, finding the exact orientation for each fixture is quick and easy.

