

### Product Features:

- Wattage Adjustable with No Tools Required
- Lightweight Design for Easy Installation
- DLC 5.1 Premium
- Innovative Mounting Hardware Allows for Single Person Installation
- 10kV Surge Protection Standard
- 7 Year Warranty

Project: \_\_\_\_\_

Date: \_\_\_\_\_

Catalog #: \_\_\_\_\_

Notes: \_\_\_\_\_

### Product Specifications:

#### Electrical:

Input Voltage Options: 120–277 VAC, 277–480 VAC  
 Operating Temperature: -40°F to 140°F (-40°C to 60°C)  
 Life: L70 Lifetime >100,000 hours, L90 Lifetime >48,000 Hours —TM-21, @77F  
 Dimming: 0–10V Dimmable  
 12V Auxiliary  
 10kV Surge Protection  
 Wattage: 80W  
 Kelvin: 4000K, 5000K

#### Optical:

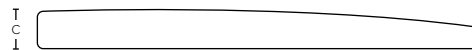
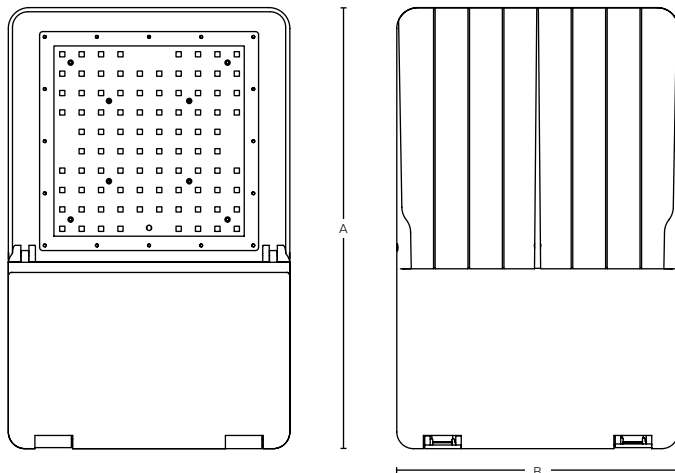
Optical Grade Polycarbonate Lens with UV Protection  
 Prismatic Molded Lens for Optimal Uniformity  
 Impact Resistant Lens

#### Construction:

Rugged Anodized Aluminum Housing  
 High Performance Heat Sink  
 Weather-tight Tool-less Entry Access  
 Stainless Steel Hardware



### Dimensions:



SYSTEM WATTS	DIMENSIONS			WEIGHT Pounds (lbs)
	A	B	C	
80W, 120W, 150W, 185W	16.65"	10.63"	1.38"	10.6
200W, 240W, 280W, 350W	20.35"	13.78"	2.56"	14.1



### Ordering Guide:

ESL	TYPE	FACTORY FIXED WATTAGE	GENERATION	KELVIN	VOLTAGE	FINISH	LENS	OPTIONS
ESL	CAL CAL (Area Light)	80W 80W	1 (1) 1st Generation	xx (40) 4000K (50) 5000K	vv (blank) 120–277V (HV) 277–480V	ff (BZ) Bronze (WH) White	T# (T3) default (T4) (T5)	Factory Installed

### Factory Installed Options

#### Sensors

8OCC (Area Light Occupancy Sensor, Dip Switch, 0–10v, 12VDC Input)

#### Receptacle

RPC3 (3 Pin Twist Lock Receptacle)

### Field Installed Accessories

#### Mounts (with knuckle)

- ESL-AL-BZKNDM (Area Light Bronze Knuckle Direct Mount)
- ESL-AL-WHKNDM (Area Light White Knuckle Direct Mount)
- ESL-AL-BZKNRDM4 (Area Light Bronze Knuckle 4" Round Direct Mount)
- ESL-AL-WHKNRDM4 (Area Light White Knuckle 4" Round Direct Mount)
- ESL-AL-BZKNRDM5 (Area Light Bronze Knuckle 5" Round Direct Mount)
- ESL-AL-WHKNRDM5 (Area Light White Knuckle 5" Round Direct Mount)
- ESL-AL-BZKNSF (Area Light Bronze Knuckle Slip Fitter)
- ESL-AL-WHKNSF (Area Light White Knuckle Slip Fitter)

#### Lens

- ESL-CAL1-SLENS-T3 (Contractor Area Light 80–185W T3 Lens)
- ESL-CAL1-SLENS-T4 (Contractor Area Light 80–185W T4 Lens)
- ESL-CAL1-SLENS-T5 (Contractor Area Light 80–185W T5 Lens)

#### Shields

- ESL-AL2-FSS-S-BZ (AL Front Street Side Shield Small / Bronze)
- ESL-AL2-FSS-S-WH (AL Front Street Side Shield Small / White)
- ESL-AL2-FBS-S-BZ (AL Full Body Shield Small / Bronze)
- ESL-AL2-FBS-S-WH (AL Full Body Shield Small / White)
- ESL-AL2-HSS-S-BZ (AL House Side Shield Small / Bronze)
- ESL-AL2-HSS-S-WH (AL House Side Shield Small / White)

#### Mounts (without knuckle)

- ESL-AL-BZFD (Area Light, Bronze Fixed Direct Mount)
- ESL-AL-WHFD (Area Light, White Fixed Direct Mount)
- ESL-AL-BZYM (Area Light, Bronze Yoke Mount)
- ESL-AL-WHYM (Area Light, White Yoke Mount)
- ESL-AL-BZFRDM4 (Area Light, Bronze 4" Fixed Round DM)
- ESL-AL-WHFRDM4 (Area Light, White 4" Fixed Round DM)
- ESL-AL-BZFRDM5 (Area Light, Bronze 5" Fixed Round DM)
- ESL-AL-WHFRDM5 (Area Light, White 5" Fixed Round DM)

#### Sensors

- ESL-PCOF (On/Off Photocell (120–277 VAC))
- ESL-PCOFHV (On/Off Photocell (432–538 VAC))
- ESL-PCSC (Shorting Cap for Photocell)

#### Bird Spikes

- ESL-AL2-BS (Area Light Bird Spikes)

### Accessories

Fixed 5" Round Direct Mount ESL-AL-xxFRDM5 12/case	Fixed 4" Round Direct Mount ESL-AL-xxFRDM4 12/case	Fixed Direct Mount ESL-AL-xxFDM 12/case	Knuckle 5" Round Direct Mount ESL-AL-xxKNRDM5 12/case	Knuckle 4" Round Direct Mount ESL-AL-xxKNRDM4 12/case
Knuckle Direct Mount ESL-AL-xxKNDM 12/case	Yoke Mount ESL-AL-xxYM 12/case	Slip Fitter ESL-AL-xxKNSF 16/case	House Side Shield ESL-AL2-HSS-y-xx	Front Side Shield ESL-AL2-FSS-y-xx
Full Body Shield ESL-AL2-FBS-y-xx	Bird Spikes ESL-AL2-BS	ON/OFF Photocell 120–277 VAC ESL-PCOF	ON/OFF Photocell 432–538 VAC ESL-PCOFHV	Shorting Cap ESL-PCSC





# CONTRACTOR AREA LIGHT SERIES



## Factory Fixed 80 Watt Area Light — ESL-CAL-80W-1xx

**Catalog Data:**

ITEM#	FACTORY FIXED WATTAGE	LUMEN OUTPUT	EFFICACY (lm/W)	KELVIN (xx)	FINISH (ff)	DLC QPL CODE
ESL-CAL-80W-140-ff-T3	80W	12,640	158	(40) 4000K	(BZ) Bronze	PPF7QQVY
ESL-CAL-80W-150-ff-T3		12,800	160	(50) 5000K	(WH) White	PEVLCOCS
ESL-CAL-120W-140-ff-T3	120W	18,240	152	(40) 4000K	(BZ) Bronze	PRM6AD32
ESL-CAL-120W-150-ff-T3		18,360	153	(50) 5000K	(WH) White	PNKGHMFS
ESL-CAL-150W-140-ff-T3	150W	22,200	148	(40) 4000K	(BZ) Bronze	P5H9HYIN
ESL-CAL-150W-150-ff-T3		22,500	150	(50) 5000K	(WH) White	PJZSLPHK
ESL-CAL-185W-140-ff-T3	185W	25,794	141	(40) 4000K	(BZ) Bronze	PKC8U5OU
ESL-CAL-185W-150-ff-T3		26,833	147	(50) 5000K	(WH) White	PWGNCE6M
ESL-CAL-200W-140-ff-T3	200W	30,600	153	(40) 4000K	(BZ) Bronze	PFEHWF1M
ESL-CAL-200W-150-ff-T3		30,800	154	(50) 5000K	(WH) White	PW7G2APW
ESL-CAL-240W-140-ff-T3	240W	35,760	149	(40) 4000K	(BZ) Bronze	PRKEDMLB
ESL-CAL-240W-150-ff-T3		36,000	150	(50) 5000K	(WH) White	PA8OSP8O
ESL-CAL-280W-140-ff-T3	280W	39,480	141	(40) 4000K	(BZ) Bronze	P9Q1ZSCS
ESL-CAL-280W-150-ff-T3		39,760	142	(50) 5000K	(WH) White	PP4BNVQ1
ESL-CAL-350W-140-ff-T3	350W	48,671	141	(40) 4000K	(BZ) Bronze	P5PRLXKY
ESL-CAL-350W-150-ff-T3		50,601	147	(50) 5000K	(WH) White	P6GR9JZT

**Electrical Load — Standard Voltage:**

SYSTEM WATTS	INPUT CURRENT				INPUT WATTAGE	INPUT FREQUENCY	POWER FACTOR	THD	OPERATING TEMPERATURE	SURGE PROTECTION	DIMMING
	120 VAC	208 VAC	240 VAC	277 VAC							
80	0.67	0.38	0.33	0.29	120–277 VAC	50/60 Hz	>0.97 @120 VAC >0.92 @277 VAC	<13%	-40°F to 140°F (-40°C to 60°C)	4kV L/N 6kV L/N/G 10kV	0–10V
120	1.00	0.58	0.50	0.43							
150	1.25	0.72	0.63	0.54							
185	1.54	0.89	0.77	0.67							
200	1.67	0.96	0.83	0.72							
240	2.00	1.15	1.00	0.87							
280	2.33	1.35	1.17	1.01							
350	2.92	1.68	1.46	1.26							

**Electrical Load — High Voltage:**

SYSTEM WATTS	INPUT CURRENT			INPUT WATTAGE	INPUT FREQUENCY	POWER FACTOR	THD	OPERATING TEMPERATURE	SURGE PROTECTION	DIMMING
	277 VAC	347 VAC	480 VAC							
80	0.29	0.23	0.17	277–480 VAC	50/60 Hz	>0.95 @277 VAC >0.90 @480 VAC	<13%	-40°F to 140°F (-40°C to 60°C)	4kV L/N 6kV L/N/G 10kV	0–10V
120	0.43	0.35	0.25							
150	0.54	0.43	0.31							
185	0.67	0.53	0.39							
200	0.72	0.58	0.42							
240	0.87	0.69	0.50							
280	1.01	0.81	0.58							
350	1.26	1.01	0.73							

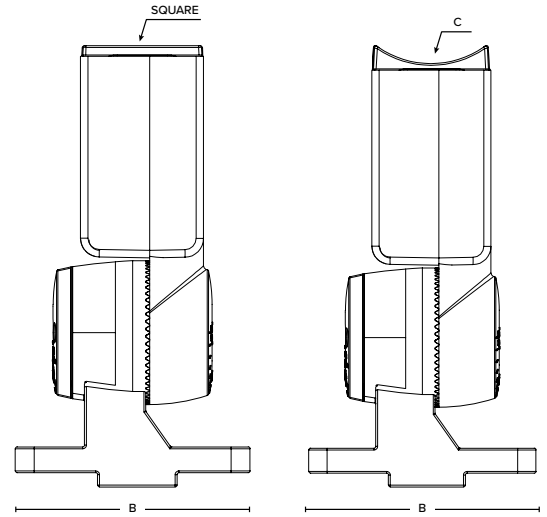
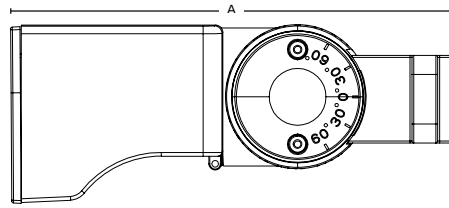
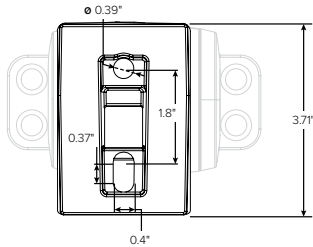
**Lumen Ambient Temperature (LAT) Multipliers:**

AMBIENT		LUMEN MULTIPLIER
0 °C	32 °F	1.02
10 °C	50 °F	1.01
20 °C	68 °F	1.00
25 °C	77 °F	1.00
30 °C	86 °F	1.00
40 °C	104 °F	0.99
50 °C	122 °F	0.96

\*Not All Part Numbers DLC Qualified. For a Complete Listing Please Consult the DLC Qualified Products List (QPL).

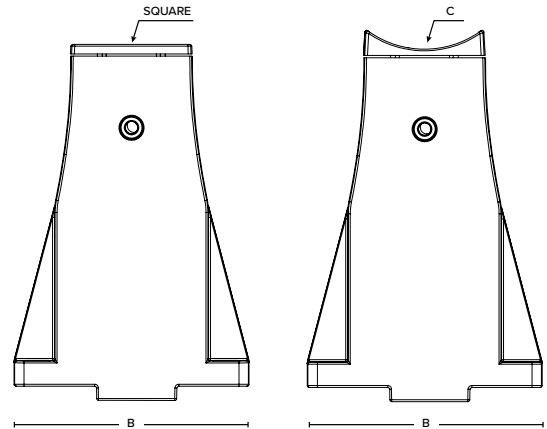
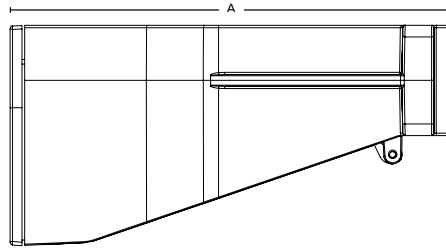
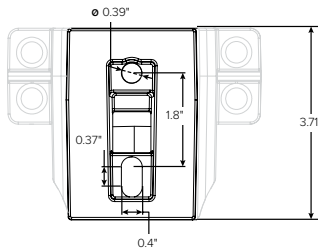
### DIRECT MOUNT

	A	B	C
Direct Mount—Square	9.18"	4.88"	FLAT
Direct Mount—Round 4"	9.46"	4.88"	Ø4"
Direct Mount—Round 5"	9.38"	4.88"	Ø5"

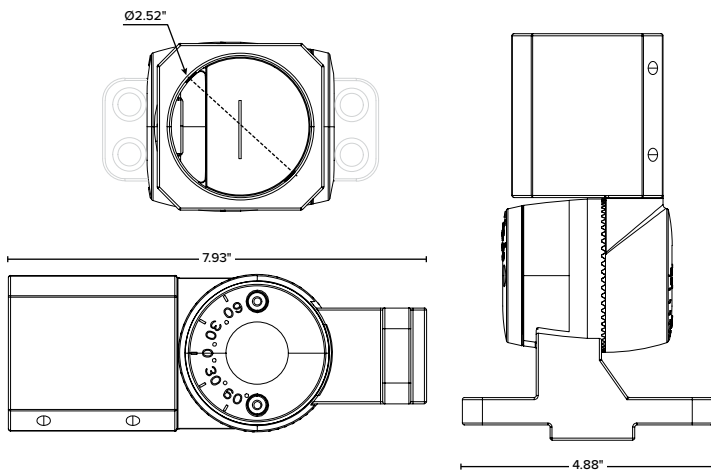


### FIXED DIRECT MOUNT

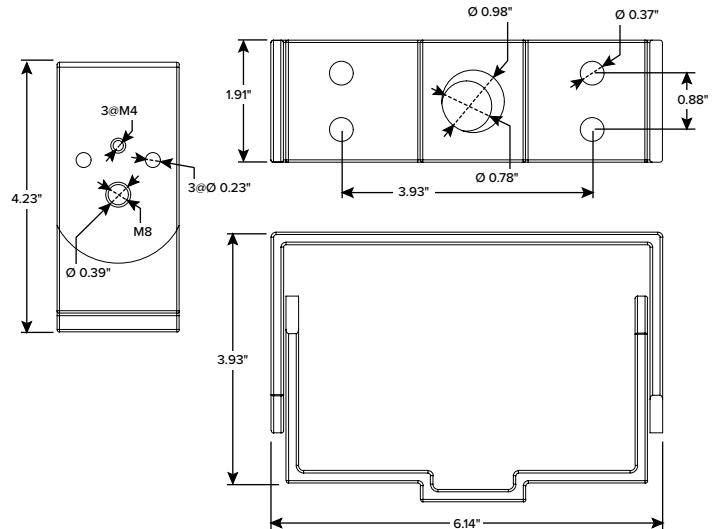
	A	B	C
Direct Mount—Square	7.37"	4.87"	FLAT
Direct Mount—Round 4"	7.69"	4.87"	Ø4"
Direct Mount—Round 5"	7.69"	4.87"	Ø5"



### SLIP FITTER



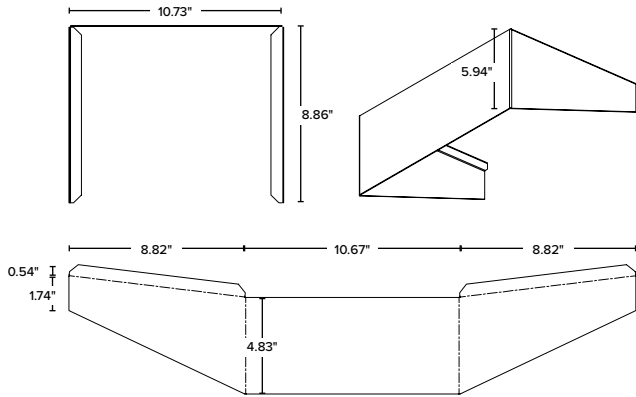
### YOKE MOUNT



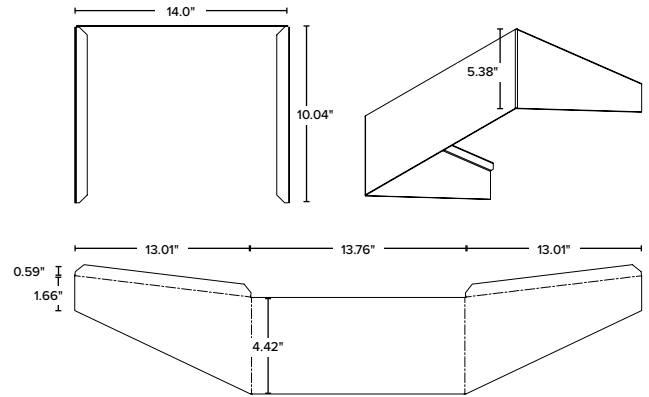
\*Not All Part Numbers DLC Qualified. For a Complete Listing Please Consult the DLC Qualified Products List (QPL).

Copyright © 2021 ESL Vision, LLC. All rights reserved. Rev. 09/23/21

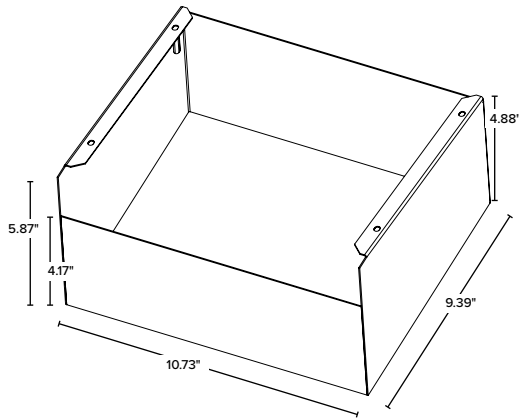
### FRONT STREET SIDE SHIELD — SMALL



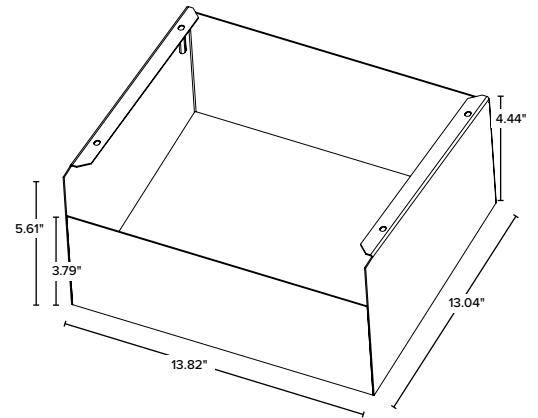
### FRONT STREET SIDE SHIELD — LARGE



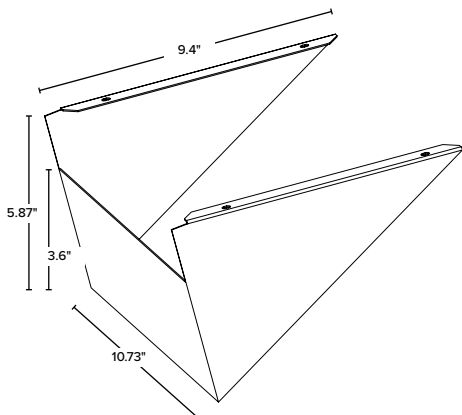
### FULL BODY SHIELD — SMALL



### FULL BODY SHIELD — LARGE



### HOUSE SIDE SHIELD — SMALL



### HOUSE SIDE SHIELD — LARGE

