

Product Features:

- Wattage Adjustable with No Tools Required
- Lightweight Design for Easy Installation
- DLC 5.1 Premium
- Innovative Mounting Hardware Allows for Single Person Installation
- 10kV Surge Protection Standard
- 7 Year Warranty

Project: _____

Date: _____

Catalog #: _____

Notes: _____

Product Specifications:

Electrical:

Input Voltage Options: 120–277 VAC, 277–480 VAC
 Operating Temperature: -40°F to 140°F (-40°C to 60°C)
 Life: L70 Lifetime >100,000 hours, L90 Lifetime >48,000 Hours —TM-21, @77F
 Dimming: 0–10V Dimmable
 12V Auxiliary
 10kV Surge Protection
 Wattage: 350W
 Kelvin: 4000K, 5000K

Optical:

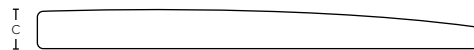
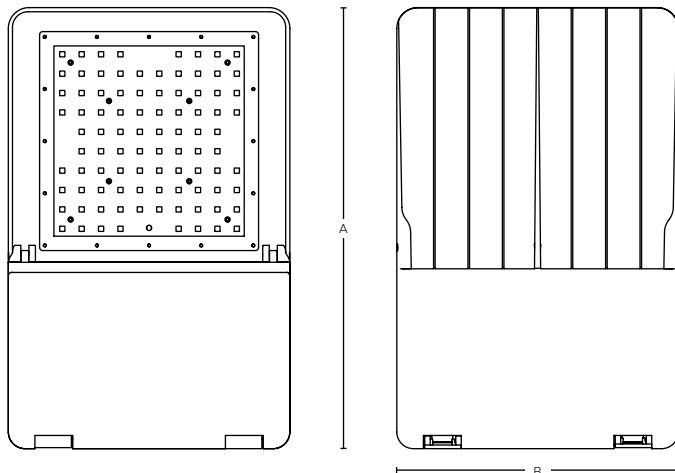
Optical Grade Polycarbonate Lens with UV Protection
 Prismatic Molded Lens for Optimal Uniformity
 Impact Resistant Lens

Construction:

Rugged Anodized Aluminum Housing
 High Performance Heat Sink
 Weather-tight Tool-less Entry Access
 Stainless Steel Hardware



Dimensions:



| SYSTEM WATTS | DIMENSIONS | | | WEIGHT Pounds (lbs) |
|--------------|------------|--------|-------|------------------------|
| | A | B | C | |
| 80185W | 16.65" | 10.63" | 1.38" | 10.6 |
| 200350W | 20.35" | 13.78" | 2.56" | 14.1 |



Ordering Guide:

| ESL | TYPE | FACTORY FIXED WATTAGE | GENERATION | KELVIN | VOLTAGE | FINISH | LENS | OPTIONS |
|-----|-------------------------|-----------------------|-------------------------|----------------------------------|---|-----------------------------------|------------------------------------|-------------------|
| ESL | CAL (CAL) Area Light | 350W 350W | 1 (1) 1st Generation | (xx) (40) 4000K (50) 5000K | (zz) (blank) 120–277V (HV) 277–480V | (ff) (BZ) Bronze (WH) White | T# (T3) default (T4) (T5) | Factory Installed |

Factory Installed Options

| Sensors | Receptacle |
|---|-------------------------------------|
| 8OCC Area Light Occupancy Sensor, Dip Switch, 0–10v, 12VDC Input | RPC3 3 Pin Twist Lock Receptacle |

Field Installed Accessories

| MOUNTS (with knuckle) | LENS |
|--|--|
| ESL-AL-BZKNDM Area Light Bronze Knuckle Direct Mount | ESL-CAL1-SLENS-T3 Contractor Area Light 80–185W T3 Lens |
| ESL-AL-WHKNDM Area Light White Knuckle Direct Mount | ESL-CAL1-SLENS-T4 Contractor Area Light 80–185W T4 Lens |
| ESL-AL-BZKNRDM4 Area Light Bronze Knuckle 4" Round Direct Mount | ESL-CAL1-SLENS-T5 Contractor Area Light 80–185W T5 Lens |
| ESL-AL-WHKNRDM4 Area Light White Knuckle 4" Round Direct Mount | SHIELDS |
| ESL-AL-BZKNRDM5 Area Light Bronze Knuckle 5" Round Direct Mount | ESL-AL2-FSS-S-BZ AL Front Street Side Shield Small / Bronze |
| ESL-AL-WHKNRDM5 Area Light White Knuckle 5" Round Direct Mount | ESL-AL2-FSS-S-WH AL Front Street Side Shield Small / White |
| ESL-AL-BZKNSF Area Light Bronze Knuckle Slip Fitter | ESL-AL2-FBS-S-BZ AL Full Body Shield Small / Bronze |
| ESL-AL-WHKNSF Area Light White Knuckle Slip Fitter | ESL-AL2-FBS-S-WH AL Full Body Shield Small / White |
| MOUNTS (without knuckle) | ESL-AL2-HSS-S-BZ AL House Side Shield Small / Bronze |
| ESL-AL-BZFDM Area Light, Bronze Fixed Direct Mount | ESL-AL2-HSS-S-WH AL House Side Shield Small / White |
| ESL-AL-WHFDMM Area Light, White Fixed Direct Mount | SENSORS |
| ESL-AL-BZYM Area Light, Bronze Yoke Mount | ESL-PCOF On/Off Photocell (120–277 VAC) |
| ESL-AL-WHYM Area Light, White Yoke Mount | ESL-PCOFHV On/Off Photocell (432–538 VAC) |
| ESL-AL-BZFRDM4 Area Light, Bronze 4" Fixed Round DM | ESL-PCSC Shorting Cap for Photocell |
| ESL-AL-WHFRDM4 Area Light, White 4" Fixed Round DM | BIRD SPIKES |
| ESL-AL-BZFRDM5 Area Light, Bronze 5" Fixed Round DM | ESL-AL2-BS Area Light Bird Spikes |
| ESL-AL-WHFRDM5 Area Light, White 5" Fixed Round DM | |

Accessories

| | | | | |
|--|--|---|---|---|
| Fixed 5" Round Direct Mount ESL-AL-xxFRDM5 12/case | Fixed 4" Round Direct Mount ESL-AL-xxFRDM4 12/case | Fixed Direct Mount ESL-AL-xxFDM 12/case | Knuckle 5" Round Direct Mount ESL-AL-xxKNRDM5 12/case | Knuckle 4" Round Direct Mount ESL-AL-xxKNRDM4 12/case |
| Knuckle Direct Mount ESL-AL-xxKNDM 12/case | Yoke Mount ESL-AL-xxYM 12/case | Slip Fitter ESL-AL-xxKNSF 16/case | House Side Shield ESL-AL2-HSS-y-xx | Front Side Shield ESL-AL2-FSS-y-xx |
| Full Body Shield ESL-AL2-FBS-y-xx | Bird Spikes ESL-AL2-BS | ON/OFF Photocell 120–277 VAC ESL-PCOF | ON/OFF Photocell 432–538 VAC ESL-PCOFHV | Shorting Cap ESL-PCSC |



CONTRACTOR AREA LIGHT SERIES



Factory Fixed 350 Watt Area Light — ESL-CAL-350W-1xx

Catalog Data:

| ITEM# | FACTORY FIXED WATTAGE | LUMEN OUTPUT | EFFICACY (lm/W) | KELVIN (xx) | FINISH (ff) | DLC QPL CODE |
|------------------------|-----------------------|--------------|-----------------|-------------|-------------|--------------|
| ESL-CAL-80W-140-ff-T3 | 80W | 12,640 | 158 | (40) 4000K | (BZ) Bronze | PPF7QQVY |
| ESL-CAL-80W-150-ff-T3 | | 12,800 | 160 | (50) 5000K | (WH) White | PEVLCOC5 |
| ESL-CAL-120W-140-ff-T3 | 120W | 18,240 | 152 | (40) 4000K | (BZ) Bronze | PRM6AD32 |
| ESL-CAL-120W-150-ff-T3 | | 18,360 | 153 | (50) 5000K | (WH) White | PNKGHMFS |
| ESL-CAL-150W-140-ff-T3 | 150W | 22,200 | 148 | (40) 4000K | (BZ) Bronze | P5H9HYIN |
| ESL-CAL-150W-150-ff-T3 | | 22,500 | 150 | (50) 5000K | (WH) White | PJZSLPHK |
| ESL-CAL-185W-140-ff-T3 | 185W | 25,794 | 141 | (40) 4000K | (BZ) Bronze | PKC8U5OU |
| ESL-CAL-185W-150-ff-T3 | | 26,833 | 147 | (50) 5000K | (WH) White | PWGNCE6M |
| ESL-CAL-200W-140-ff-T3 | 200W | 30,600 | 153 | (40) 4000K | (BZ) Bronze | PFEHWF1M |
| ESL-CAL-200W-150-ff-T3 | | 30,800 | 154 | (50) 5000K | (WH) White | PW7G2APW |
| ESL-CAL-240W-140-ff-T3 | 240W | 35,760 | 149 | (40) 4000K | (BZ) Bronze | PRKEDMLB |
| ESL-CAL-240W-150-ff-T3 | | 36,000 | 150 | (50) 5000K | (WH) White | PA8OSP8O |
| ESL-CAL-280W-140-ff-T3 | 280W | 39,480 | 141 | (40) 4000K | (BZ) Bronze | P9Q1ZSCS |
| ESL-CAL-280W-150-ff-T3 | | 39,760 | 142 | (50) 5000K | (WH) White | PP4BNVQ1 |
| ESL-CAL-350W-140-ff-T3 | 350W | 48,671 | 141 | (40) 4000K | (BZ) Bronze | P5PRLXKY |
| ESL-CAL-350W-150-ff-T3 | | 50,601 | 147 | (50) 5000K | (WH) White | P6GR9JZT |

Electrical Load — Standard Voltage:

| SYSTEM WATTS | INPUT CURRENT | | | | INPUT WATTAGE | INPUT FREQUENCY | POWER FACTOR | THD | OPERATING TEMPERATURE | SURGE PROTECTION | DIMMING |
|--------------|---------------|---------|---------|---------|---------------|-----------------|----------------------------------|------|-----------------------------------|------------------------------|---------|
| | 120 VAC | 208 VAC | 240 VAC | 277 VAC | | | | | | | |
| 80 | 0.67 | 0.38 | 0.33 | 0.29 | 120–277 VAC | 50/60 Hz | >0.97 @120 VAC >0.92 @277 VAC | <13% | -40°F to 140°F (-40°C to 60°C) | 4kV L/N 6kV L/N/G 10kV | 0–10V |
| 120 | 1.00 | 0.58 | 0.50 | 0.43 | | | | | | | |
| 150 | 1.25 | 0.72 | 0.63 | 0.54 | | | | | | | |
| 185 | 1.54 | 0.89 | 0.77 | 0.67 | | | | | | | |
| 200 | 1.67 | 0.96 | 0.83 | 0.72 | | | | | | | |
| 240 | 2.00 | 1.15 | 1.00 | 0.87 | | | | | | | |
| 280 | 2.33 | 1.35 | 1.17 | 1.01 | | | | | | | |
| 350 | 2.92 | 1.68 | 1.46 | 1.26 | | | | | | | |

Electrical Load — High Voltage:

| SYSTEM WATTS | INPUT CURRENT | | | INPUT WATTAGE | INPUT FREQUENCY | POWER FACTOR | THD | OPERATING TEMPERATURE | SURGE PROTECTION | DIMMING |
|--------------|---------------|---------|---------|---------------|-----------------|----------------------------------|------|-----------------------------------|------------------------------|---------|
| | 277 VAC | 347 VAC | 480 VAC | | | | | | | |
| 80 | 0.29 | 0.23 | 0.17 | 277–480 VAC | 50/60 Hz | >0.95 @277 VAC >0.90 @480 VAC | <13% | -40°F to 140°F (-40°C to 60°C) | 4kV L/N 6kV L/N/G 10kV | 0–10V |
| 120 | 0.43 | 0.35 | 0.25 | | | | | | | |
| 150 | 0.54 | 0.43 | 0.31 | | | | | | | |
| 185 | 0.67 | 0.53 | 0.39 | | | | | | | |
| 200 | 0.72 | 0.58 | 0.42 | | | | | | | |
| 240 | 0.87 | 0.69 | 0.50 | | | | | | | |
| 280 | 1.01 | 0.81 | 0.58 | | | | | | | |
| 350 | 1.26 | 1.01 | 0.73 | | | | | | | |

*Not All Part Numbers DLC Qualified. For a Complete Listing Please Consult the DLC Qualified Products List (QPL).



EPA Ratings:

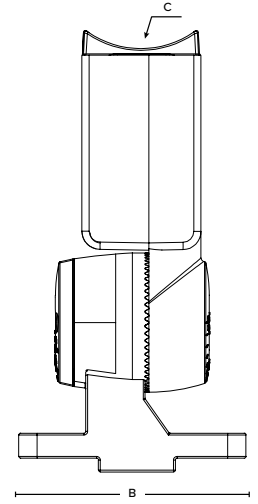
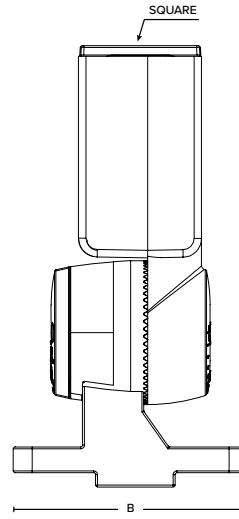
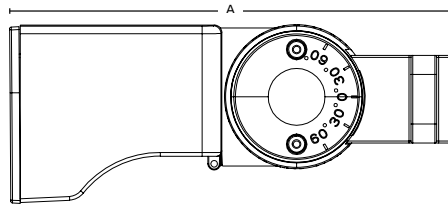
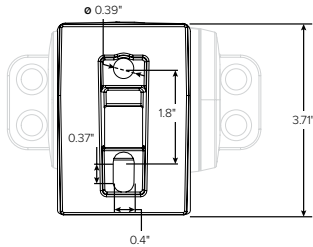
| TILT | SINGLE FIXTURE | TWO FIXTURES @ 90° | TWO FIXTURES @ 180° | THREE FIXTURES @ 90° | THREE FIXTURES AT 120° | FOUR FIXTURES @ 90° |
|---------------------------|----------------|--------------------|---------------------|----------------------|------------------------|---------------------|
| 80W / 120W / 150W / 185W | | | | | | |
| 0° | 0.19 | 0.38 | 0.39 | 0.54 | 0.51 | 0.75 |
| 10° | 0.57 | 1.16 | 1.19 | 1.41 | 1.29 | 2.25 |
| 30° | 0.75 | 1.56 | 1.72 | 2.24 | 2.15 | 3.10 |
| 60° | 1.31 | 2.55 | 2.74 | 3.29 | 3.06 | 5.17 |
| 90° | 1.43 | 3.01 | 3.19 | 4.29 | 4.19 | 5.87 |
| 200W / 240W / 280W / 350W | | | | | | |
| 0° | 0.21 | 0.51 | 0.57 | 1.53 | 1.36 | 1.85 |
| 10° | 0.97 | 1.45 | 1.59 | 2.68 | 2.23 | 2.58 |
| 30° | 1.95 | 2.81 | 3.24 | 4.37 | 4.16 | 6.35 |
| 60° | 2.21 | 3.84 | 4.37 | 6.64 | 6.41 | 8.63 |
| 90° | 2.32 | 4.66 | 5.13 | 7.65 | 7.64 | 11.19 |

Lumen Ambient Temperature (LAT) Multipliers:

| AMBIENT | | LUMEN MULTIPLIER |
|---------|--------|------------------|
| 0 °C | 32 °F | 1.02 |
| 10 °C | 50 °F | 1.01 |
| 20 °C | 68 °F | 1.00 |
| 25 °C | 77 °F | 1.00 |
| 30 °C | 86 °F | 1.00 |
| 40 °C | 104 °F | 0.99 |
| 50 °C | 122 °F | 0.96 |

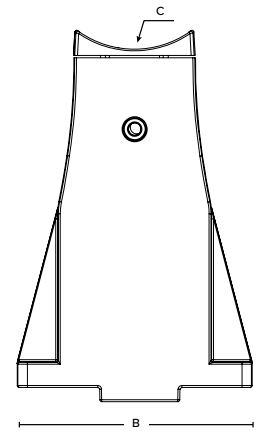
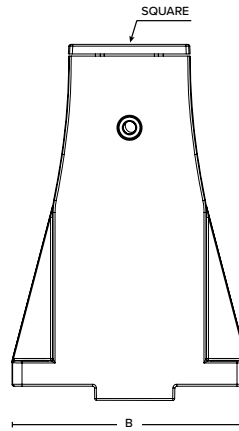
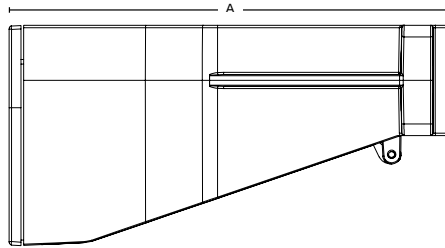
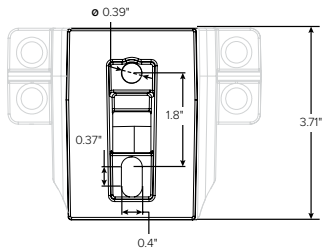
DIRECT MOUNT

| | A | B | C |
|-----------------------|-------|-------|------|
| Direct Mount—Square | 9.18" | 4.88" | FLAT |
| Direct Mount—Round 4" | 9.46" | 4.88" | Ø4" |
| Direct Mount—Round 5" | 9.38" | 4.88" | Ø5" |

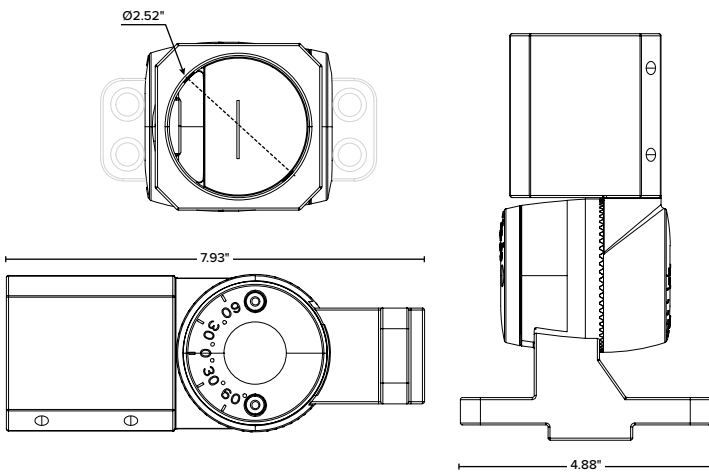


FIXED DIRECT MOUNT

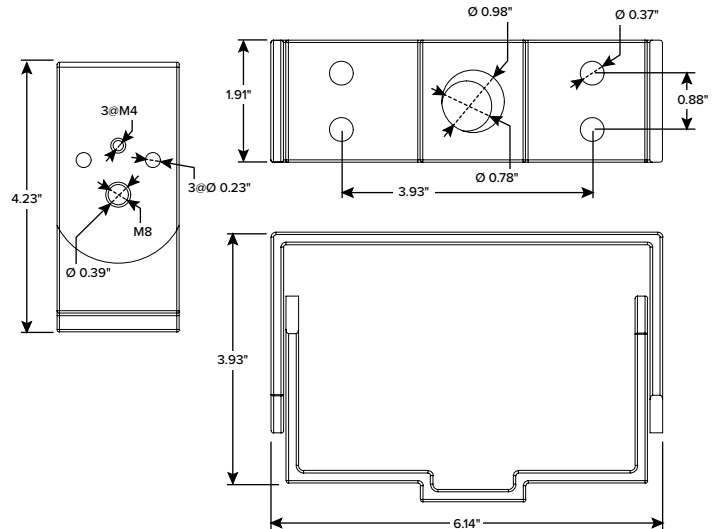
| | A | B | C |
|-----------------------|-------|-------|------|
| Direct Mount—Square | 7.37" | 4.87" | FLAT |
| Direct Mount—Round 4" | 7.69" | 4.87" | Ø4" |
| Direct Mount—Round 5" | 7.69" | 4.87" | Ø5" |



SLIP FITTER



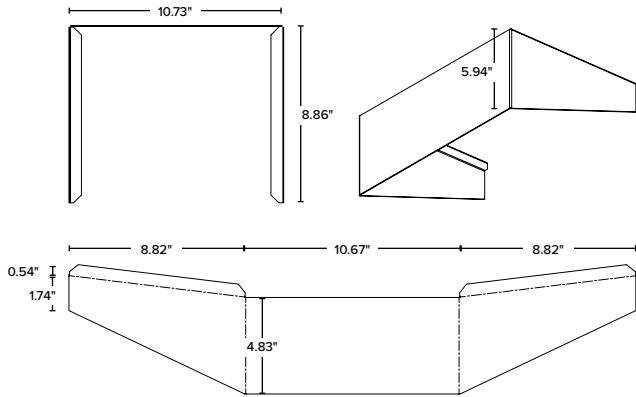
YOKE MOUNT



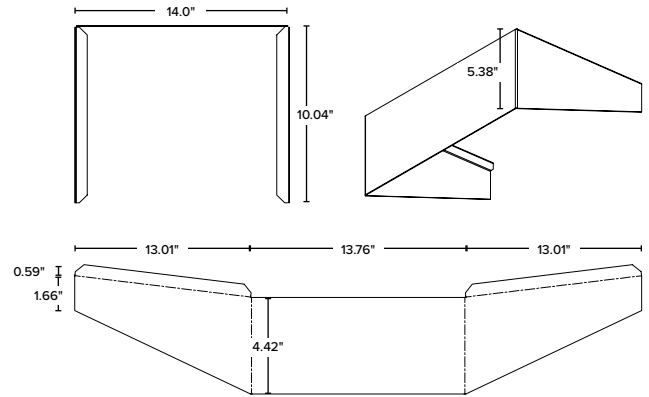
*Not All Part Numbers DLC Qualified. For a Complete Listing Please Consult the DLC Qualified Products List (QPL).

Copyright © 2021 ESL Vision, LLC. All rights reserved. Rev: 10/21/21

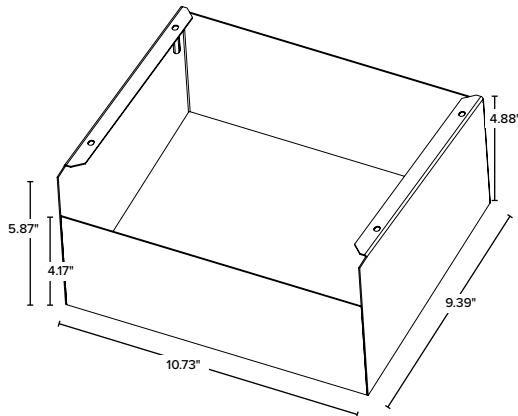
FRONT STREET SIDE SHIELD — SMALL



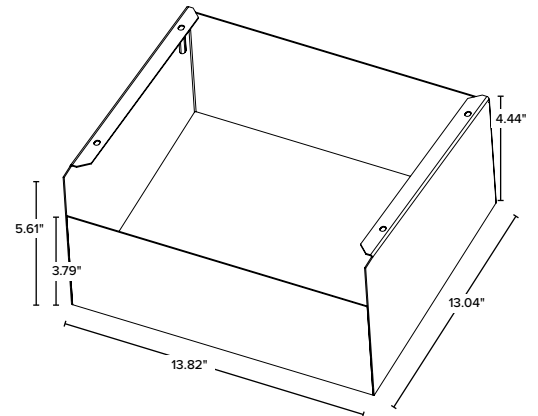
FRONT STREET SIDE SHIELD — LARGE



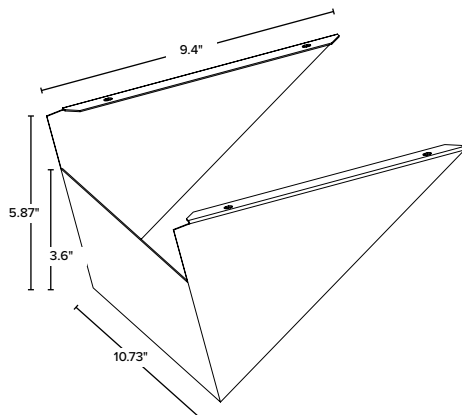
FULL BODY SHIELD — SMALL



FULL BODY SHIELD — LARGE



HOUSE SIDE SHIELD — SMALL



HOUSE SIDE SHIELD — LARGE

