

Key Features & Benefits:

- Slim Profile
- PIR Motion Sensor
- Field Adjustable Kelvin
(2700K, 3000K, 3500K, 4000K, 5000K)
- Compatible with 3/0 & 4/0 J-Boxes
- Time Delay Settings (1, 5, & 10 Minute Selections)

Project: _____

Date: _____

Catalog #: _____

Notes: _____

Product Specifications:

Power: 15 Watts
 Lumen Output: 1,100 Lumens
 Efficacy (lm/W): Up to 73 Lumens per Watt
 Kelvin Selectable: 2700K, 3000K, 3500K, 4000K, 5000K
 Occupancy Time Delay: 1, 5, & 10 Minutes
 CRI: >90
 Power Frequency: 50/60Hz
 Power Factor: >0.9
 Operating Temperature: -4°F–122°F (-20°C–50°C)
 Input Voltage: 120 VAC
 Estimate L70 Lifetime 120,000 Hours calculated per TM21
 Warranty: 5 Year Warranty
 Product Weight: 16.58oz



KELVIN SELECTABLE



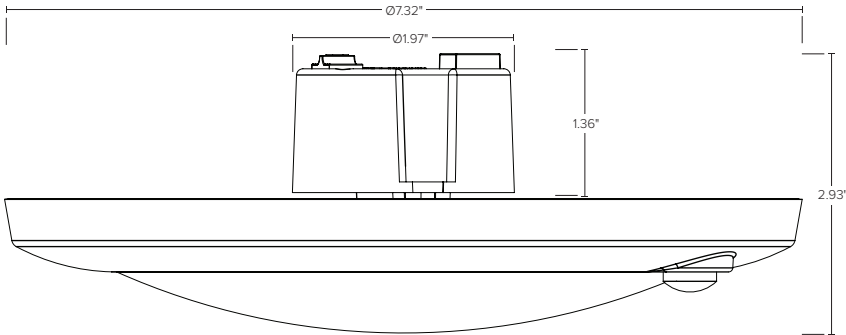
Ordering Guide:

ESL	TYPE	SIZE	WATTAGE	GENERATION	KELVIN	FEATURE
ESL	ODSK	(dd)	(yy)W	2	2750	DA
	(ODSK) Occupancy Disk	(6)" Round	15W	(2) 2nd Generation	(2750) 2700K, 3000K, 3500K, 4000K, 5000K	(DA) Adjustable Delay

Catalog Data:

ITEM#	WATTAGE	KELVIN SELECTABLE	LUMENS	EFFICACY lm/W	INPUT VOLTAGE	SELECTABLE TIME DELAY	DIMENSIONS (LxWxH)
ESL-ODSK-6-15W-22750-DA	15W	2700K 3000K 3500K 4000K 5000K	1,100	73	120 VAC	1 MINUTE 5 MINUTES 10 MINUTES	7.32"x7.32"x3.77"

Fixture Dimensions:

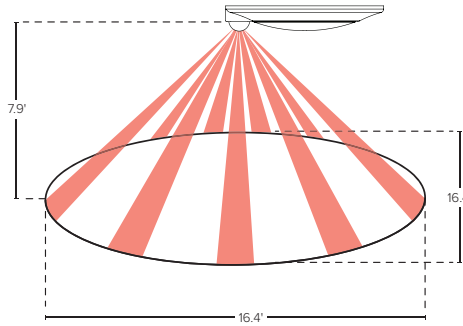


Lumen Ambient Temperature (LAT) Multipliers:

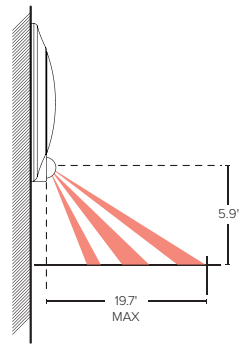
AMBIENT		LUMEN MULTIPLIER
0 °C	32 °F	1.02
10 °C	50 °F	1.01
20 °C	68 °F	1.00
25 °C	77 °F	1.00
30 °C	86 °F	1.00
40 °C	104 °F	0.99
50 °C	122 °F	0.96

Sensor Detection Range:

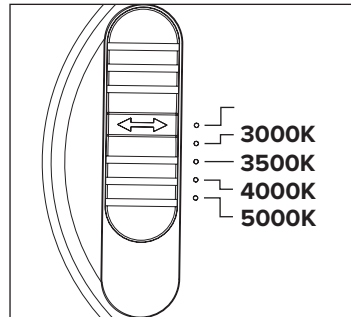
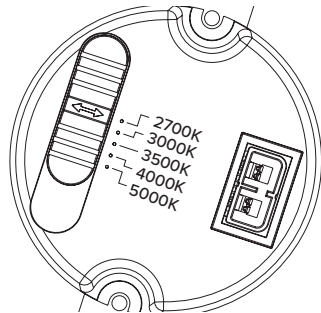
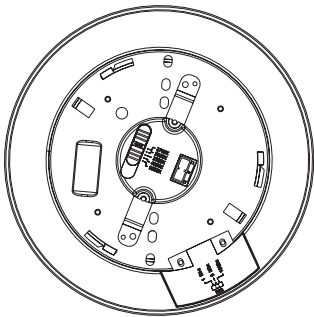
Ceiling Mount:



Wall Mount:



Selectable Kelvin Operation:



Time Delay Operation:

