

Key Features & Benefits:

- Field or Factory Installation - UL 924 and CSA C22.2 No. 141 Emergency Lighting Compliant
- Meets CEC Title 20 (California Energy Commission) Requirements
- Monthly and Yearly Auto Test Function for Reduced Maintenance
- Meets or Exceeds all NEC Emergency Lighting Standards
- Constant Power Output Provides 90 Minutes of Consistent Egress Lighting with no Degradation
- Lithium-Ion Battery (5 year limited warranty with 300 charging and discharging cycles)
- 2-Wire Illuminated Test Switch



Project: _____ Date: _____

Catalog #: _____

Notes: _____



Technical Specifications:

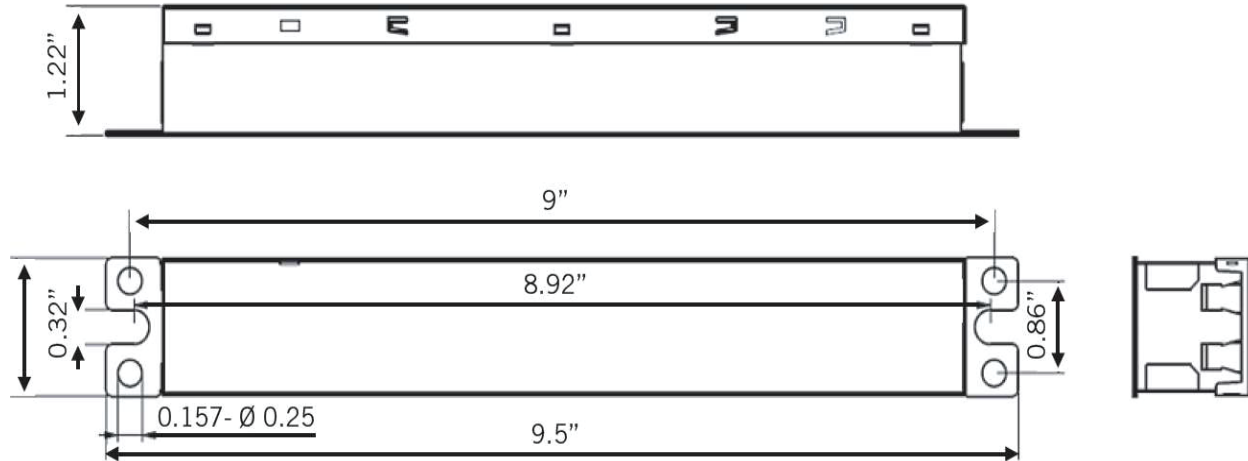
ESL-EMG-SL5-CLW-5W		
Input	Rated Current	100mA
	AC Input Power Rating	<2 Watts
	Rated Voltage	100 - 277 VAC, 50/60Hz
Output	Emergency Output Power	5 Watts Max.
	Output Voltage	20 - 250VDC
	Output Current	20 - 250mA
	Output Short Protection	Yes
	Output Open Protection	Yes
Emergency	Emergency Operation	≥90 Minutes
	Charging Time	24 Hours
	Charging Cycles	>300
Environment	Operating Temperature	32°F - 131°F (0°C - 50°C)
	Dimensions (LxWxH)	9.5" x 0.32" x 1.22"
	Weight	0.915 lbs

Emergency Lumen Output:

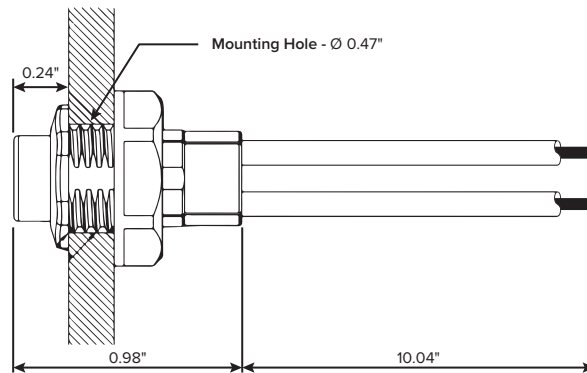
FIXTURE EFFICACY	OUTPUT POWER 5W	OUTPUT POWER 9W	OUTPUT POWER 18W
100 lm/w	500 Lumens	900 Lumens	1800 Lumens
120 lm/w	600 Lumens	1080 Lumens	2160 Lumens
140 lm/w	700 Lumens	1260 Lumens	2520 Lumens

Dimensions:

EMG-SL5-CLW-5W:



2-Wire Illuminated Test Switch:



Typical Wiring Diagram:

MINI INVERTER APPLICATION

