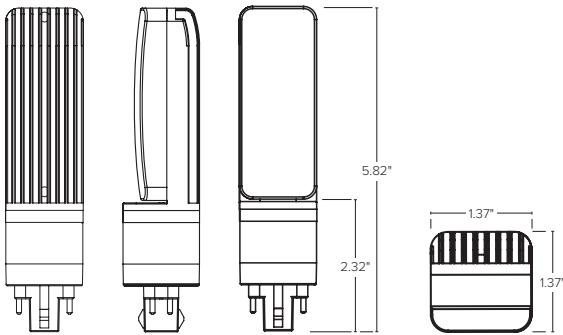


WARNING

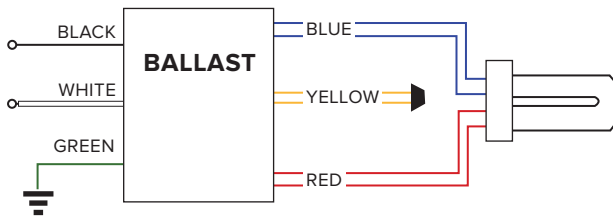
1. Turn off electrical power before starting installation of lamps.
2. Before conducting any installation, maintenance, or removal, disable all power.
3. Do not touch the lamp while it is in service.
4. This product must be installed in accordance with the applicable installation code by a person familiar with the construction and operation of the product and the hazards involved

Bypass Ballast

Install the ESL Vision PL lamp into existing socket. If more room is needed in the fixture the ESL Vision PL lamp is designed with an adjustable base for easier installation.



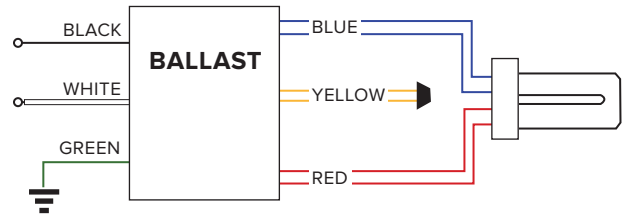
Direct Plug & Play with Ballast



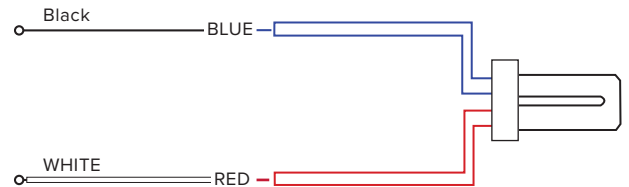
This lamp only operates on electronic ballasts. If the lamp does not turn on once it is powered, remove lamp and contact the lamp manufacturer or a qualified electrician.

Retrofit Lamp Installation

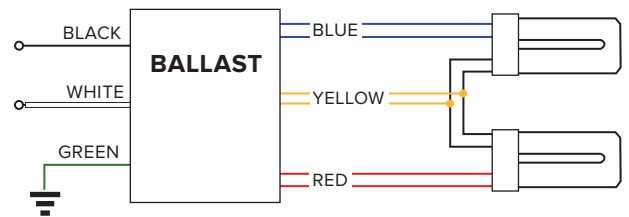
With 1 Lamp Before



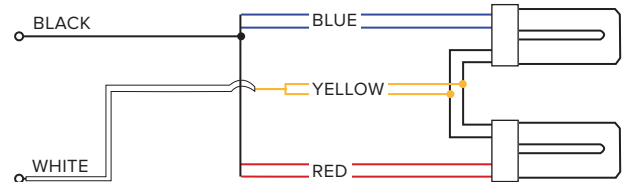
With 1 Lamp After



With 2 Lamps Before



With 2 Lamps After



If lamp fails to operate (no light output, flickering, or low light output) after restoring power back to the fixture it is recommended to follow above wiring diagram to bypass the ballast and run direct voltage to sockets.

Compatible Ballasts

BRAND	MODEL	VOLTAGE	1 LAMP COMPATIBILITY		2 LAMP COMPATIBILITY	
			120VAC	277VAC	120VAC	277VAC
LUMA PRO	16X954	120-277V	✓	x	✓	✓
LUMA PRO	4KGJ7	120-277V	✓	✓	✓	✓
LUMA PRO	4KGJ8	120-277V	✓	✓	✓	✓
LUMA PRO	16X959	120-277V	✓	✓	✓	✓
Universal/Triad	C213UNVME	120-277V	✓	✓	✓	✓
Universal/Triad	C218UNVME	120-277V	✓	✓	✓	✓
Universal/Triad	C242UNVME	120-277V	✓	x	✓	✓
Universal/Triad	C2642UNVME	120-277V	✓	✓	✓	✓
HOWARD INDUSTRIES	EP2/13CF/MV	120-277V	✓	✓	✓	✓
HOWARD INDUSTRIES	EP2/18CF/MV	120-277V	✓	✓	✓	✓
HOWARD INDUSTRIES	EP/2/26CF/MV/2	120-277V	✓	✓	✓	✓
GE	GEC218MVPSBES	120-277V	✓	✓	✓	✓
PHILIPS/ADVANCE	ICF-2S18-H1-LD	120-277V	✓	✓	✓	✓
PHILIPS/ADVANCE	ICF-2S26-H1-LD	120-277V	✓	✓	✓	✓
PHILIPS/ADVANCE	ICF-2S42-M2-LD	120-277V	✓	x	✓	✓
PHILIPS/ADVANCE	ICF-2S13-H1-LD	120-277V	✓	✓	✓	✓
ORSRAM/SYLVANIA	QTP1/2X18CF/UNVDM	120-277V	✓	✓	✓	✓
ORSRAM/SYLVANIA	QTP2X26CF/UNVDM	120-277V	✓	✓	✓	✓
ORSRAM/SYLVANIA	QTP1/2X13CF/UNVDM	120-277V	✓	✓	✓	✓
HATCH	HC226PS/UV/D	120-277V	✓	✓	✓	✓
CH	ACT2S26PSUNV	120-277V	✓	✓	✓	✓
STANDARD	31279STD	120-347V	✓	✓	✓	✓
STANDARD	31527STD	120-347V	x	✓	x	✓
KEYSTONE	KTEB-213-UV-PS-DW	120-277V	✓	✓	✓	✓
KEYSTONE	KTEB-218-UV-PS-DW	120-277V	✓	✓	✓	✓
KEYSTONE	KTEB-226-UV-PS-DW	120-277V	✓	✓	✓	✓
KEYSTONE	KTEB-218-UV-RS-DW	120-277V	✓	✓	✓	✓
FULHAM	RHAUNV226C	120-277V	x	x	x	✓
FULHAM	WH2120L	120-277V	✓	x	✓	x
FULHAM	WH2120C	120-277V	✓	x	✓	x
FULHAM	RHAUNV213C	120-277V	x	x	x	✓
FULHAM	RHA-UNV-218-C	120-277V	x	x	✓	✓
FULHAM	WH3-120-C	120-277V		x	✓	x
FULHAM	WH2-277-L	120-277V	x	✓	x	x
FULHAM	WH3-277-L	120-277V	x	✓	x	✓
FULHAM	WH4-277-L	120-277V	x	✓	x	✓
FULHAM	RHA-UNV-242-C	120-277V	x	x	✓	✓

The listed electronic ballasts have been tested for compatibility. It is recommended to perform an on-site test before installing LED lamps

